

Brand ZUCCHETTI

Class

SAVOIR

SAVOIR

ZSV646.1900CN Built-in thermostatic shower mixer, 2/3 way diverter.



1/2" built-in thermostatic shower mixer and 2/3 way diverter with water on/off function.
5,2 GPM @ 46,5 PSI

R97810.1900

Rough-in _ 2 way thermostatic mixer






R97815.1900

Rough-in _ 3 way thermostatic mixer

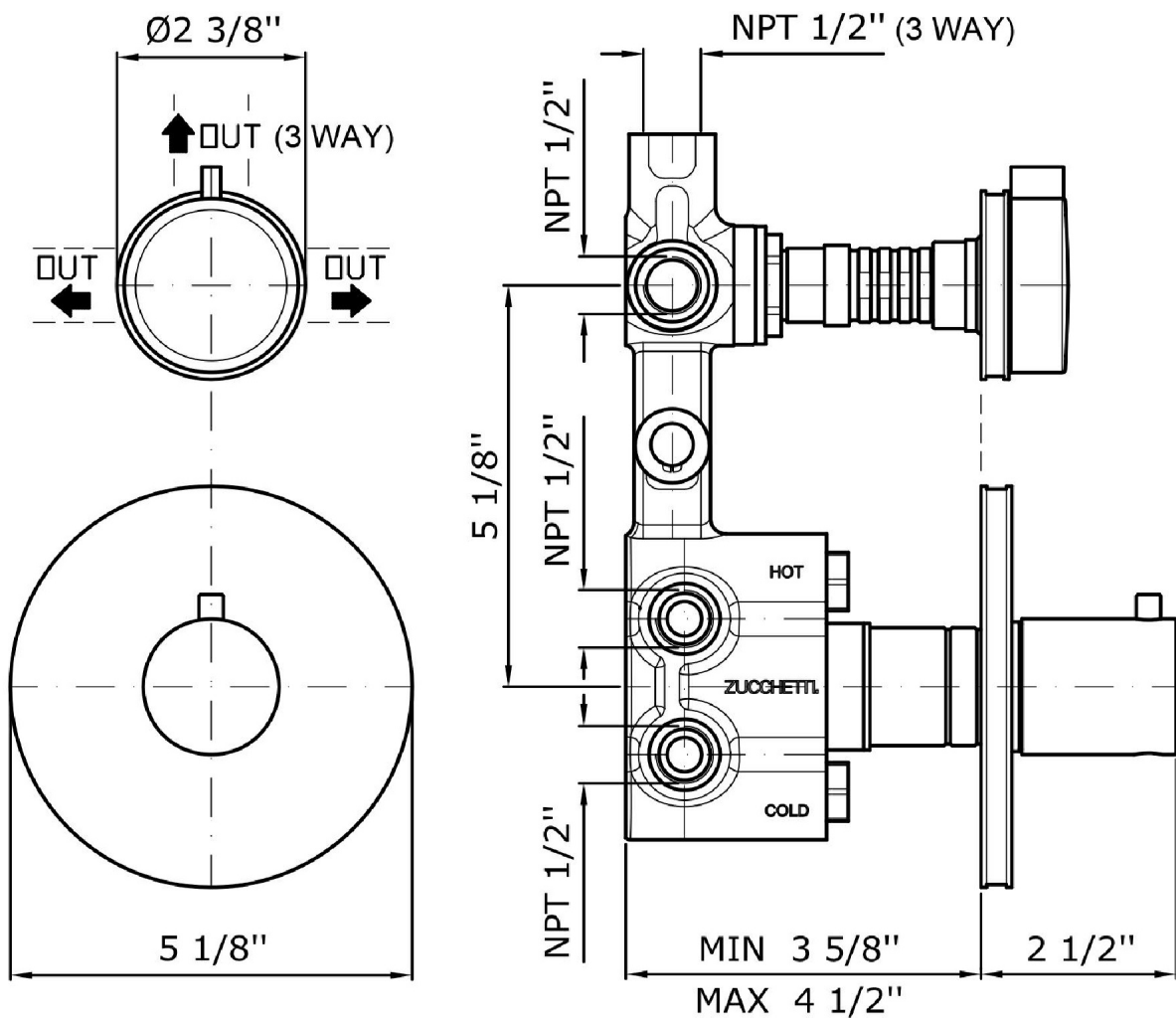


Finishes

 CN Chrome + Black	 CC Chrome + Chrome	 CW Chrome + White	 CR Chrome + Red	 CL Chrome + Blue	 CV Chrome + Green	 C8C8 Polished Nickel
 C8W Polished Nickel+White	 C8N Polished Nickel+Black	 C8R Polished Nickel+Red	 C8L Polished Nickel+Blue	 C8V Polished Nickel+Green		

SAVOIR

ZSV646.1900CN Overall Drawing



Brand ZUCCHETTI

Class

SAVOIR

SAVOIR

ZSV646.1900CN Weights and Sizes

Weight (lb)	1,85 (Kg)	4,07851 (lb)
Volume (dc3) - (in3)	11,01 (dc3)	0,000672 (in3)
h (mm) - (in)	90 (mm)	3,543309 (in)
L1 (mm) - (in)	335 (mm)	13,1889835 (in)
L2 (mm) - (in)	365 (mm)	14,3700865 (in)

