

Brand ZUCCHETTI

Class

SAVOIR

SAVOIR

ZSA646.1900CN Built-in thermostatic shower mixer, 2/3 way diverter



1/2" built-in thermostatic shower mixer and 2/3 way diverter with water on/off function.
5,2 GPM @43,5 PSI

R97810.1900

Rough-in _ 2 way thermostatic mixer





R97815.1900

Rough-in _ 3 way thermostatic mixer

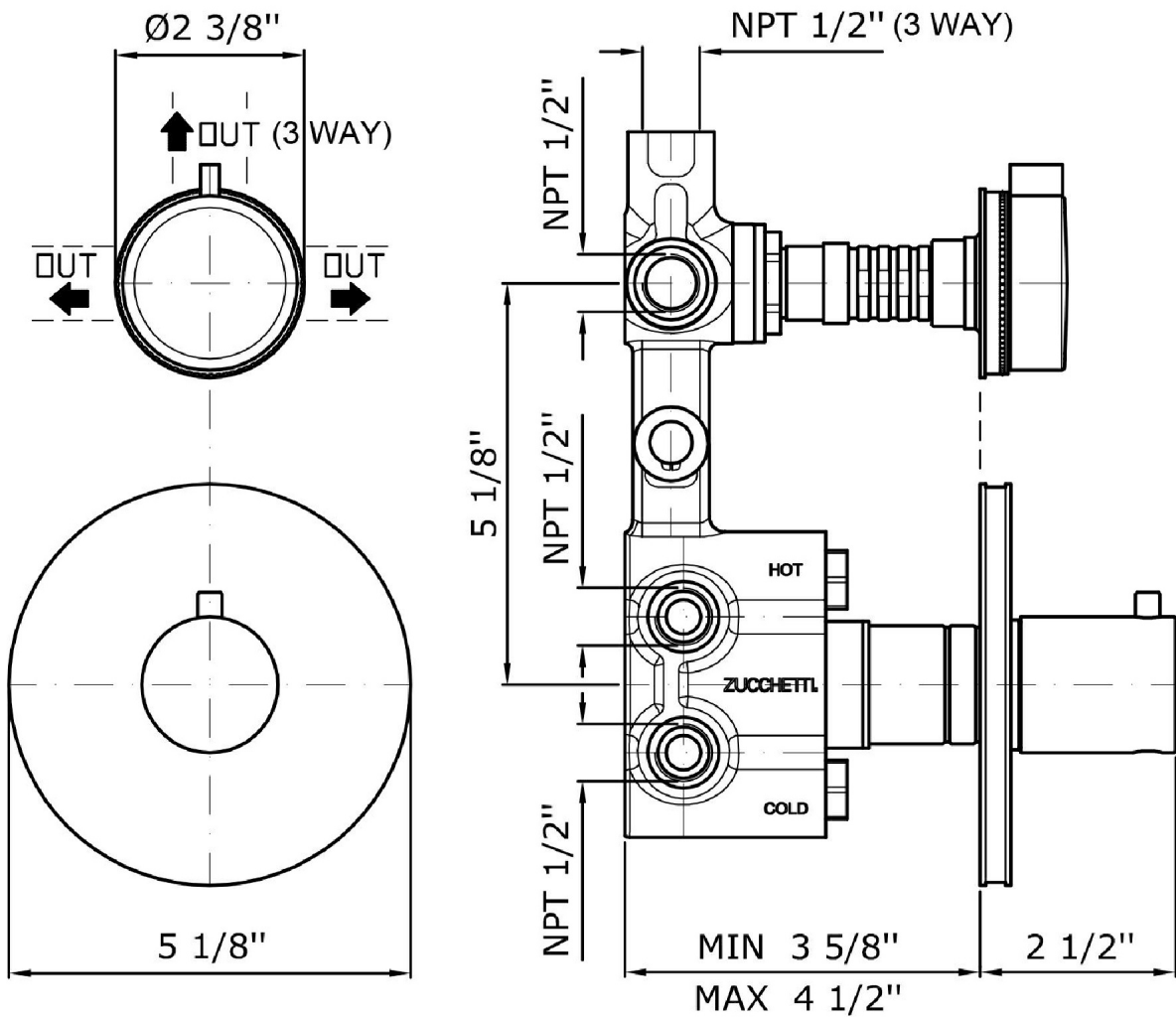


Finishes

 CN	 CC	 CW	 CR	 CL	 CV	 C8C8
Chrome + Black	Chrome + Chrome	Chrome + White	Chrome + Red	Chrome + Blue	Chrome + Green	Polished Nickel
 C8W	 C8N	 C8R	 C8L	 C8V		
Polished Nickel+White	Polished Nickel+Black	Polished Nickel+Red	Polished Nickel+Blue	Polished Nickel+Green		

SAVOIR

ZSA646.1900CN Overall Drawing



Brand ZUCCHETTI

Class

SAVOIR

SAVOIR

ZSA646.1900CN Weights and Sizes

Weight (lb)	1,85 (Kg)	4,07851 (lb)
Volume (dc3) - (in3)	11,01 (dc3)	0,000672 (in3)
h (mm) - (in)	90 (mm)	3,543309 (in)
L1 (mm) - (in)	335 (mm)	13,1889835 (in)
L2 (mm) - (in)	365 (mm)	14,3700865 (in)

