



Stella
COLLECTION

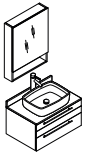
LUCERA

FVN6130-VSL

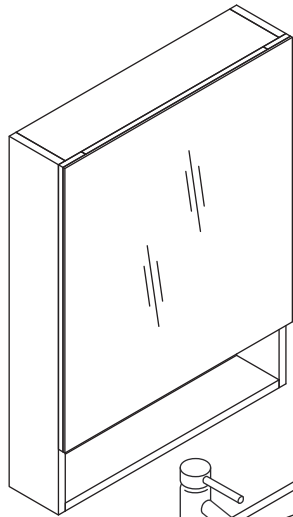
INSTALLATION GUIDE

CONTENTS:

Medicine Cabinet.....	FMC6124.....	PAGE 2
Cabinet.....	FCB6130-VSL.....	PAGE 3
Sink.....	FVS6119WH.....	PAGE 4
Counter Top.....	FCT6130WH-VSL.....	PAGE 4

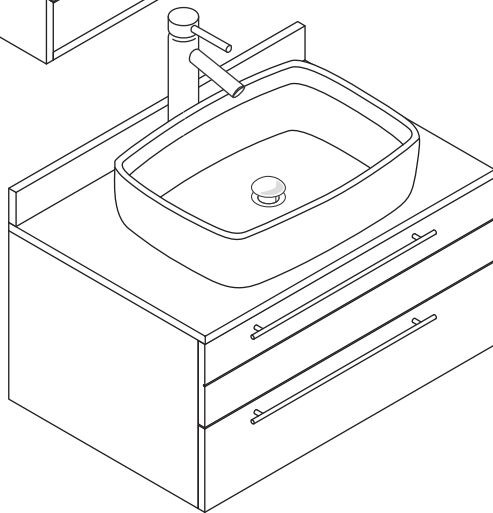
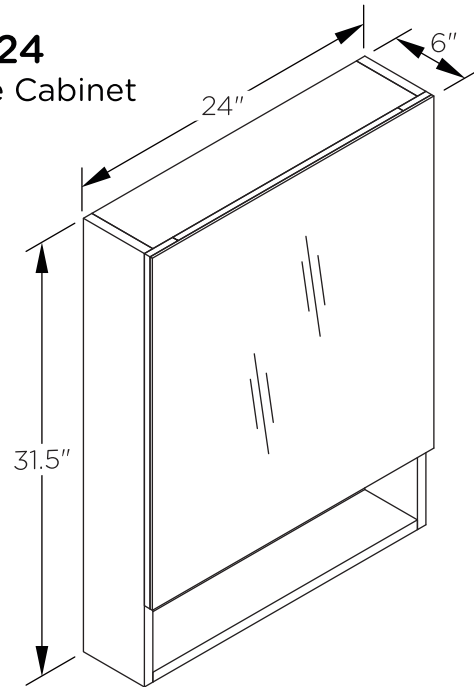


FVN6130-VSL LUCERA INSTALLATION GUIDE

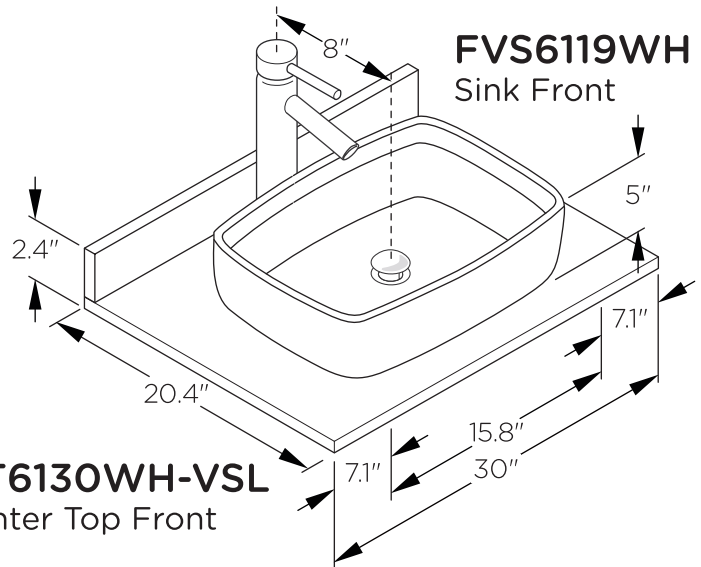


FVN6130-VSL
Vanity Ensemble
Front

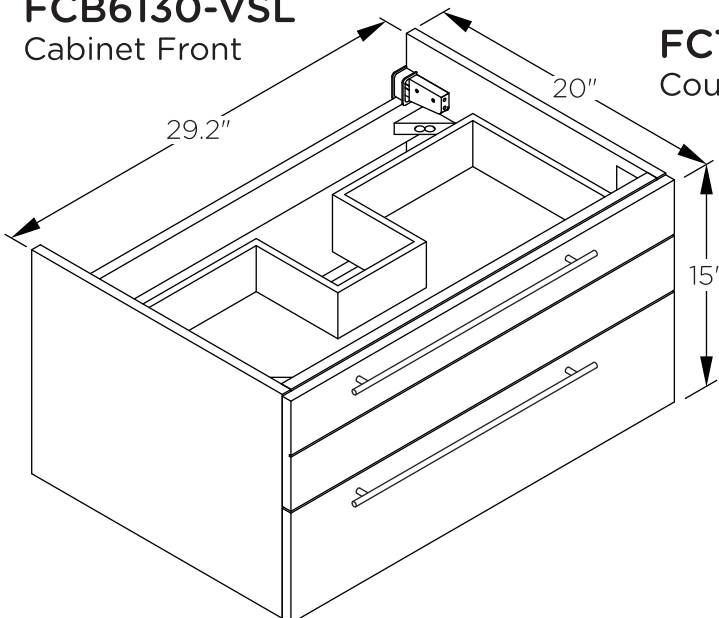
FMC6124
Medicine Cabinet
Front



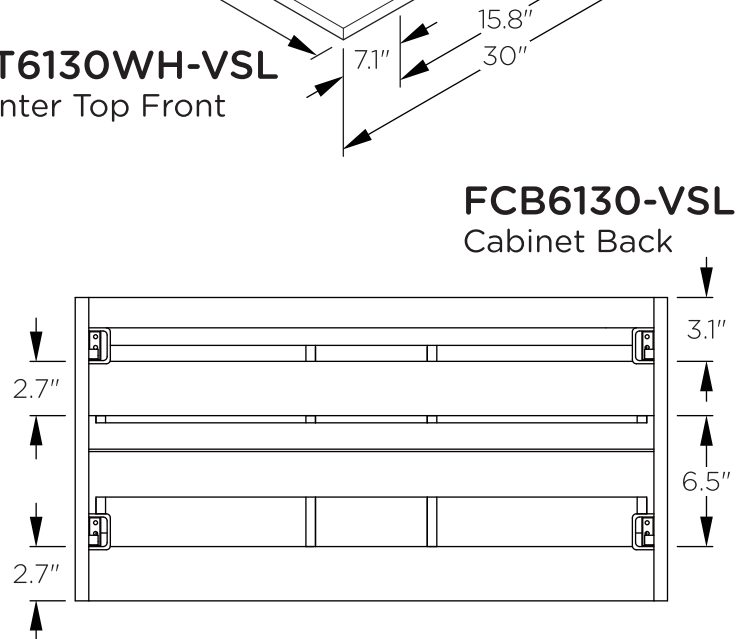
FVS6119WH
Sink Front



FCB6130-VSL
Cabinet Front



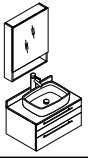
FCT6130WH-VSL
Counter Top Front



FCB6130-VSL
Cabinet Back

>All dimensions & specifications are approximate and subject to change without notice.

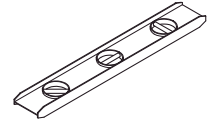
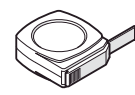
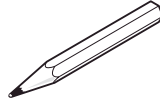
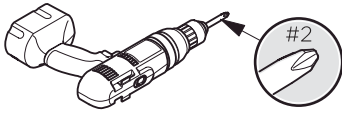




FVN6130-VSL LUCERA INSTALLATION GUIDE

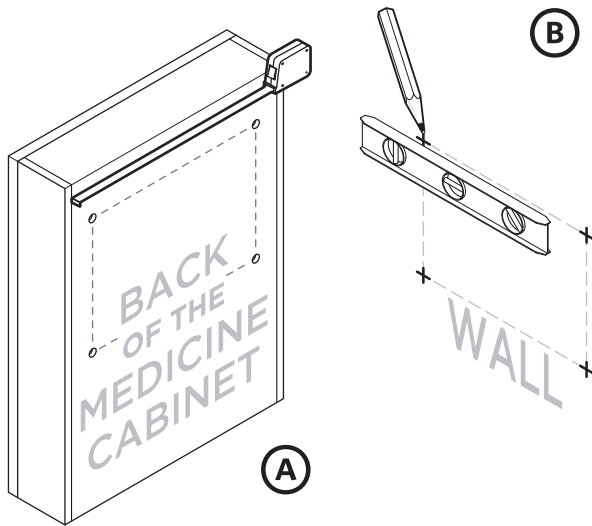


TOOLS FOR ASSEMBLY

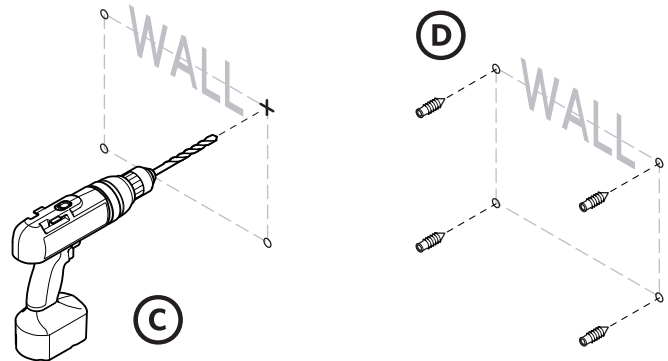


MEDICINE CABINET INSTALLATION

- 1** Measure distance between the mounting holes on the back of a medicine cabinet **A** and mark the perimeter on the wall **B**.

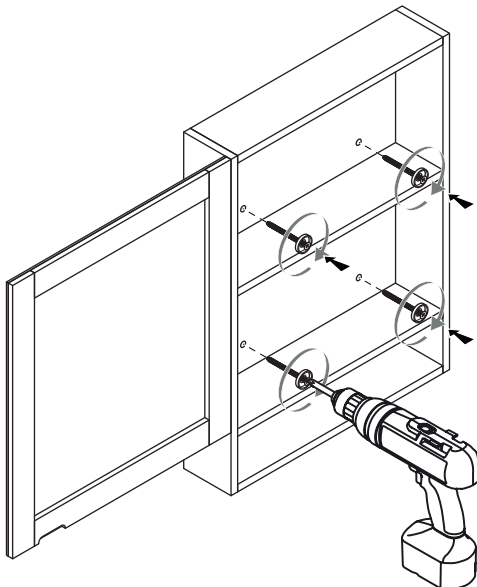


- 2** Once marked, drill the holes in the wall **C**.
*Insert the anchors in the holes **D**.

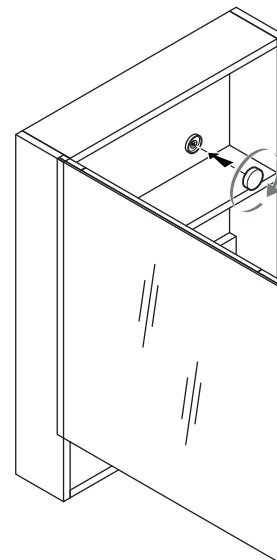


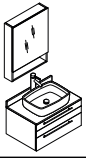
***IMPORTANT:** Consult an expert for the proper screws/bolts to use when attaching to various constructions. Screws provided do not attach to all wall construction types. Anchors are not required if brackets are installed in stud.

- 3** Connect medicine cabinet to the wall using drill.



- 4** Cover the screws with the screw caps.



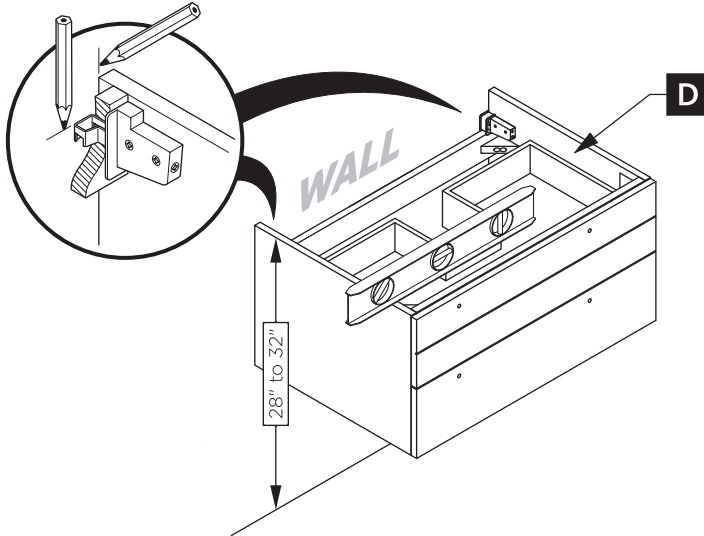


FVN6130-VSL LUCERA INSTALLATION GUIDE

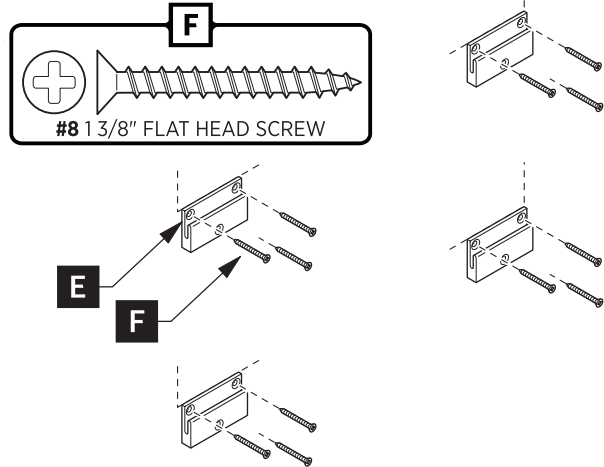


CABINET INSTALLATION

- 1** Place cabinet (D) in the designated location and mark bracket position on the wall.

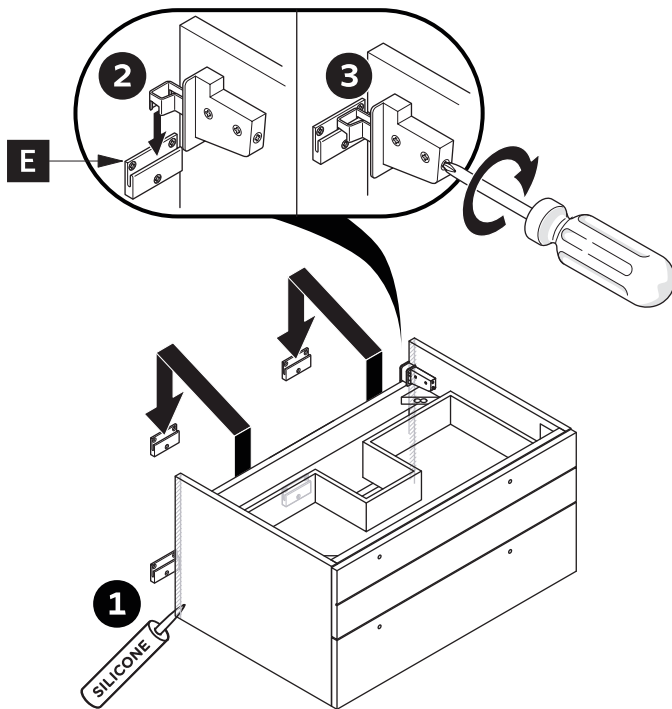


- 2** Attach the wall brackets (E) to the wall with the screws (F).

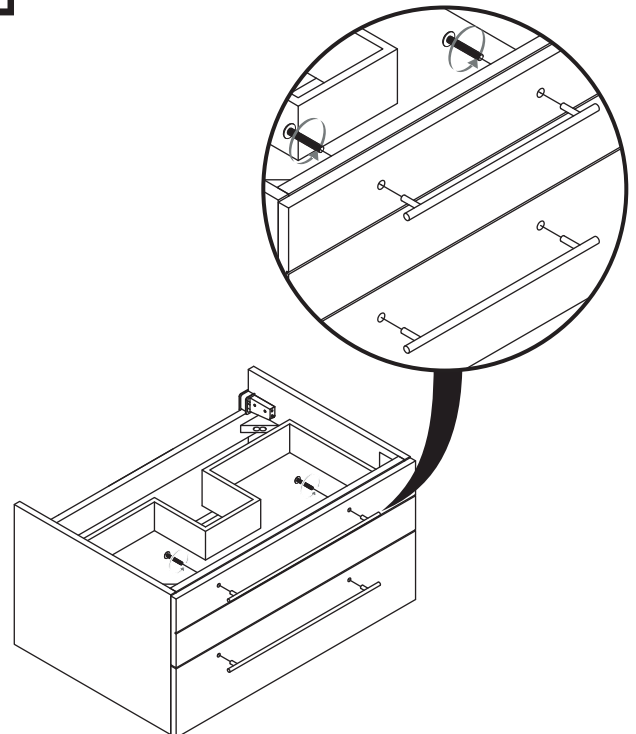


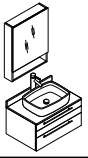
IMPORTANT: Consult an expert for the proper screws/bolts to use when attaching to various constructions. Screws provided do not attach to all wall construction types. Anchors are not required if brackets are installed in stud.

- 3** Apply a bid of silicone and hang the cabinet (D) on the brackets.



- 4** Attach the handles to the cabinet.



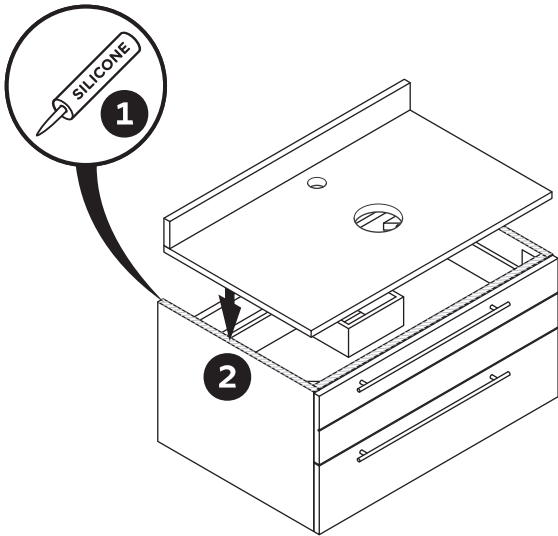


FVN6130-VSL LUCERA INSTALLATION GUIDE

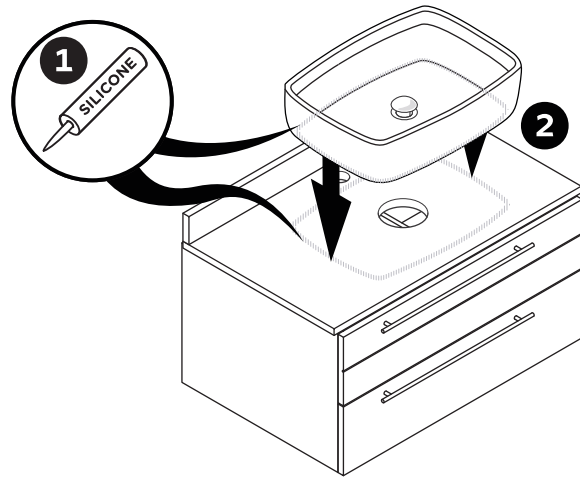


CABINET INSTALLATION

5 Apply a bead of silicone on top of the cabinet. Place counter top on the cabinet.

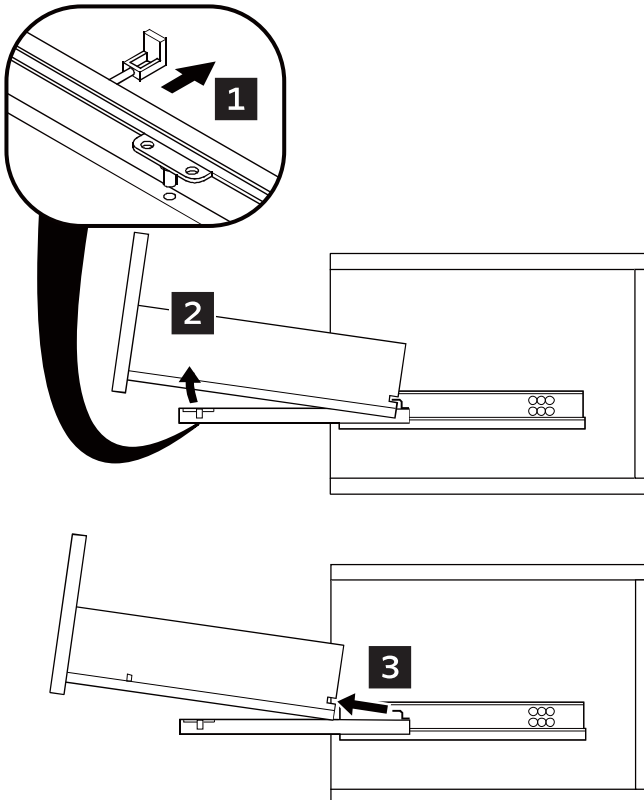


6 Apply a bead of silicone on the top of a counter top and bottom of the sink. Connect sink to the counter top.

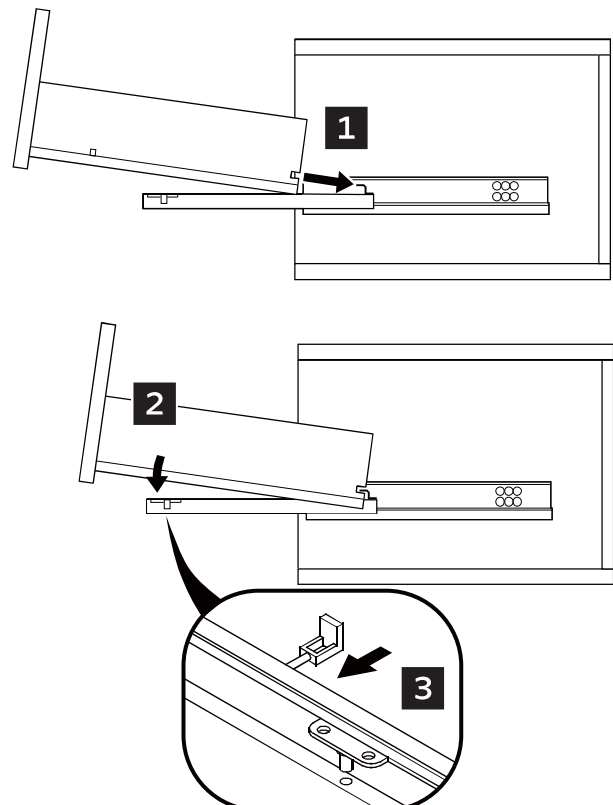


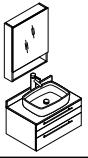
DRAWER REMOVAL & INSTALLATION

DRAWER REMOVAL



DRAWER INSTALLATION





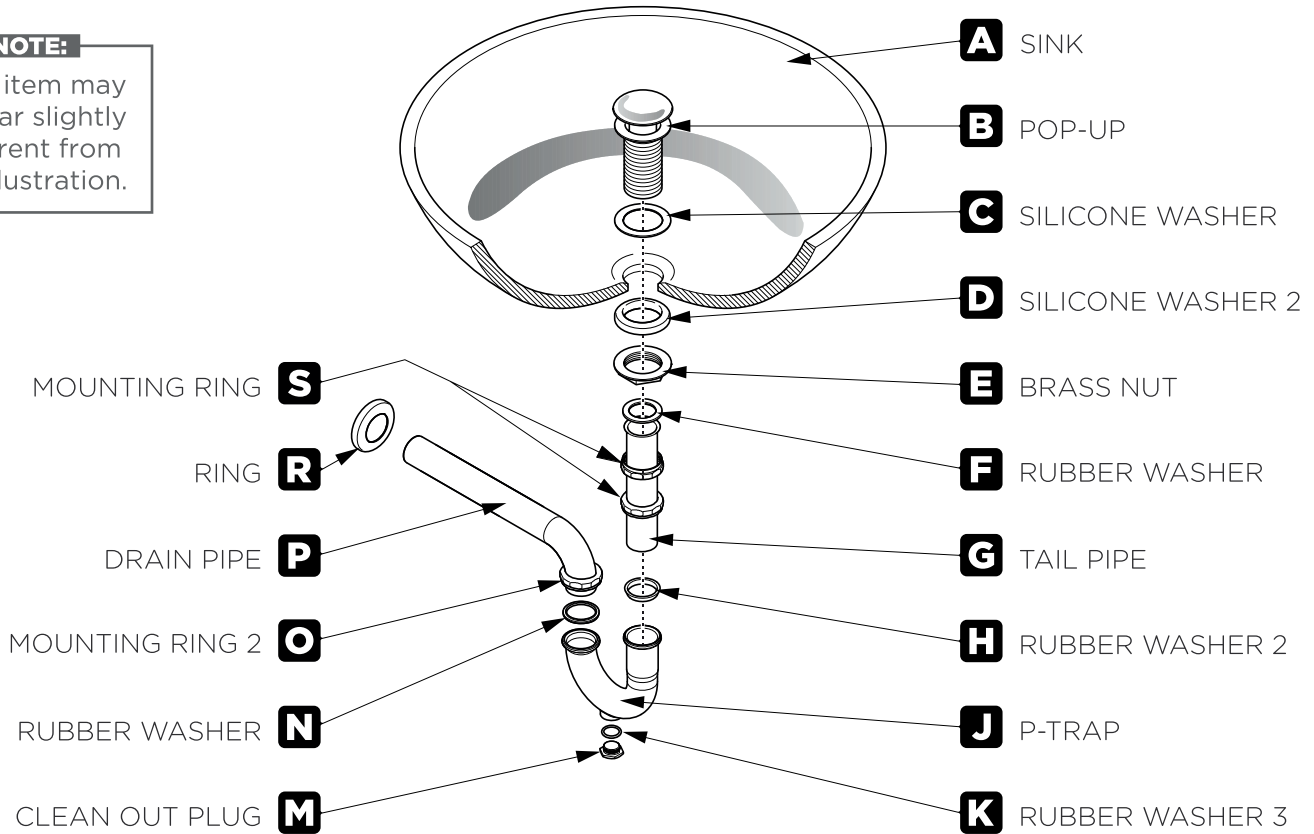
FVN6130-VSL LUCERA INSTALLATION GUIDE



P-TRAP AND POP-UP INSTALLATION INSTRUCTIONS

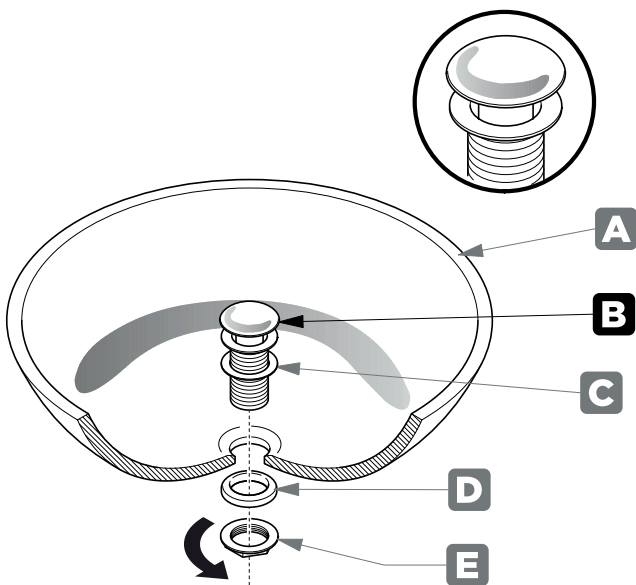
NOTE:

Your item may appear slightly different from the illustration.



POP-UP INSTALLATION INSTRUCTIONS

FOR SINKS WITHOUT OVERFLOW



OR

FOR SINKS WITH OVERFLOW

