

OPS-3636-RS RRF - MASS Grab Bar and Seat Shower

Model number:

141415

Dimensions: 39" x 39" x 79"

Installation: Alcove

Material: AcryIX™



Standard Features:

- 1-piece transfer shower reinforced according to FHA accessibility requirements
- 2 x Horizontal Straight 30" textured Stainless Steel grab bars (factory installed) and one rectangular fold up Naugahyde white seat
- Outward facing return flanges
- Center drain
- Textured bottom
- 3/4" reduced skirt and 1/2" high threshold

Product characteristics:

- One-Piece Unit
- MASS
- Grab Bars & Seats Available

Warranty:

Lifetime limited

Code Compliant:

MASS

Standard colors:



White (002)



Bone (004)



Biscuit (007)

Certifications

ABG products adhere to one or more of the following certifications:



Options (Visit our website for a complete list of our options)

| No | Description |
|--|---|
| <input type="checkbox"/> OPT 10225 | 36" Chrome curtain rod |
| <input type="checkbox"/> OPT 20059-084 | Recessed soap dish (Drilled, not installed) in chrome |

OPS-3636-RS RRF - MASS Grab Bar and Seat Shower

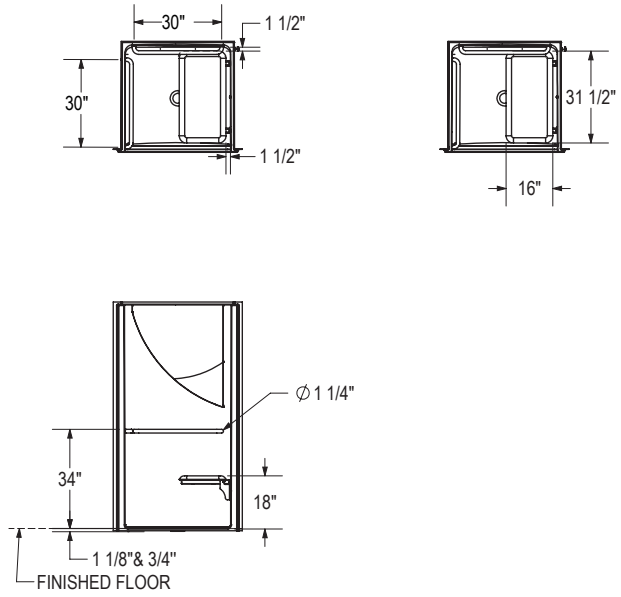
Model number: 141415

Dimensions: 39" x 39" x 79"

Installation: Alcove

Material: AcryIX™

BASE MODEL WITH MASS GRAB BAR & SEAT PACKAGE
LEFT SIDE SHOWN
RIGHT SIDE SYMMETRICAL



| |
|-----------------------------|
| Dimensions: |
| 38 3/4 x 39 x 78 3/4 in. |
| Weight: |
| 162 lbs - |
| Shape: |
| Square |
| Pieces: |
| 1 |
| Drain location: |
| Left-hand grab bar, center |
| Right-hand grab bar, center |

All dimensions are approximate. Structure measurements must be verified against the unit to ensure proper fit.

Project: _____

Contractor: _____

Representative: _____

Date: _____

Tel: _____

Notes: _____
