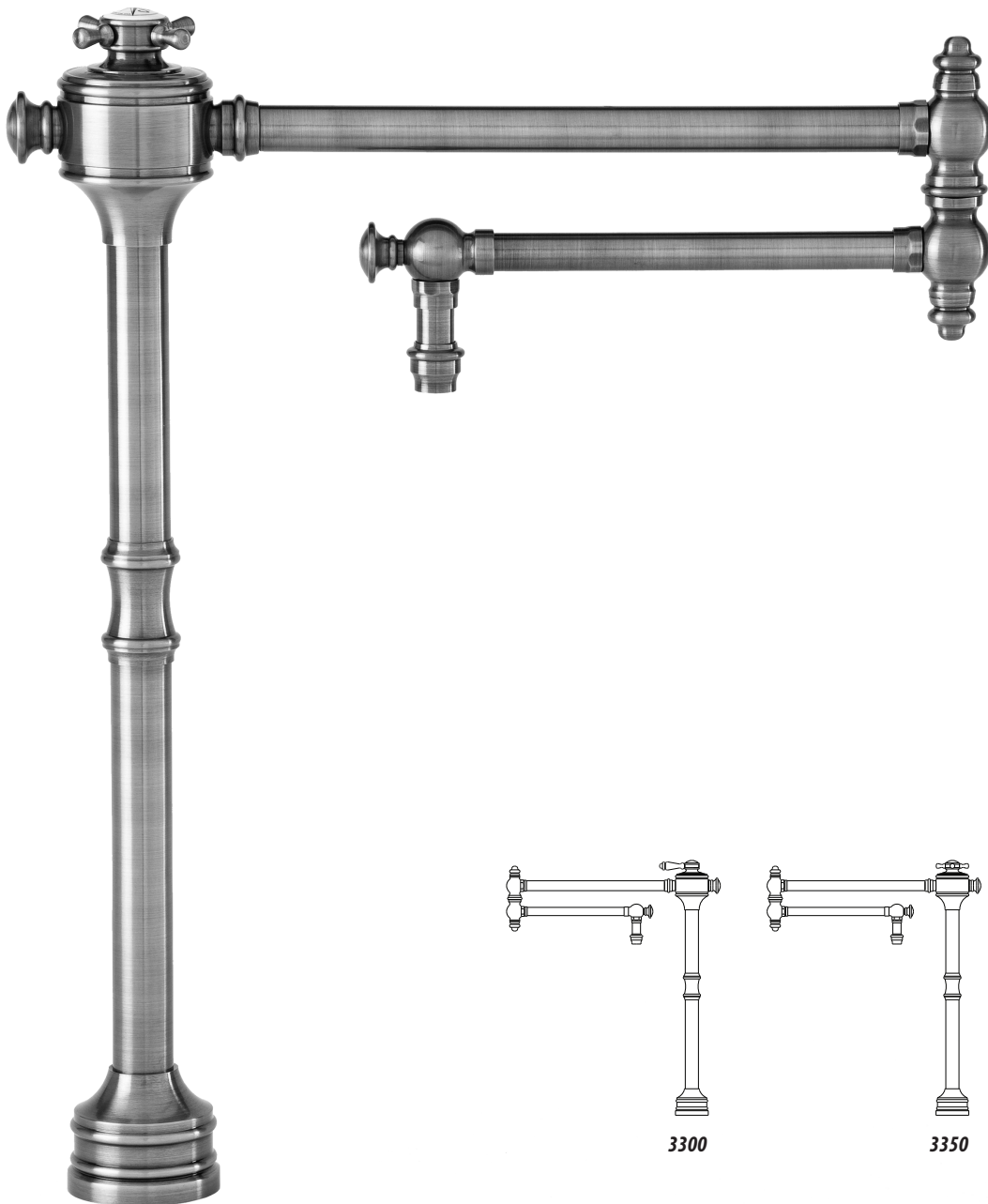


# COUNTER MOUNTED POTFILLER INSTALLATION INSTRUCTIONS

Potfiller Model #s:  
3300  
3350  
3400



3300

3350

3400

## BEFORE YOU BEGIN YOUR INSTALLATION:



Turn off water supply.



Observe all local plumbing codes.



Inspect waste and water supplies for signs of damage. Replace as necessary.



DO NOT use petroleum based products on this faucet.

### REQUIRED TOOLS:



1. Adjustable Wrench



2. Phillips Screwdriver

### PARTS INCLUDED:

*\*XX represents finish*

**HK-CPK-XX\***  
**HANDLE BUTTON KIT (TRADITIONAL ONLY)**

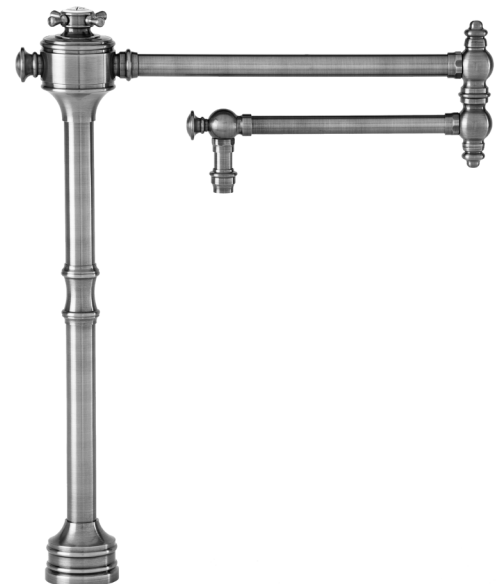
**HK-USM1250**  
**UNDER SINK MOUNTING HARDWARE KIT (1-1/4")**

## LIFETIME WARRANTY

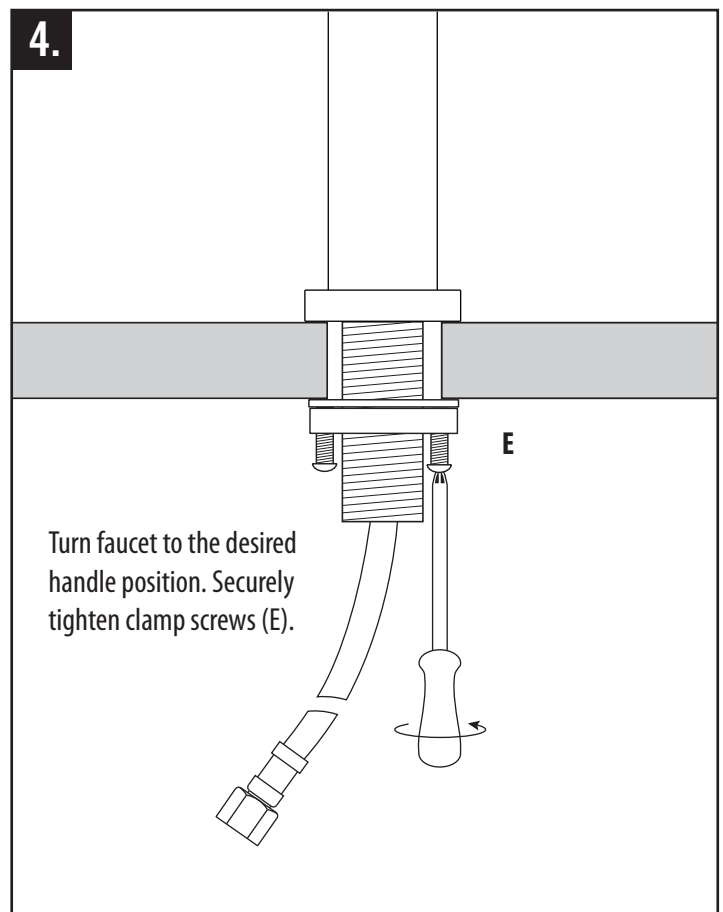
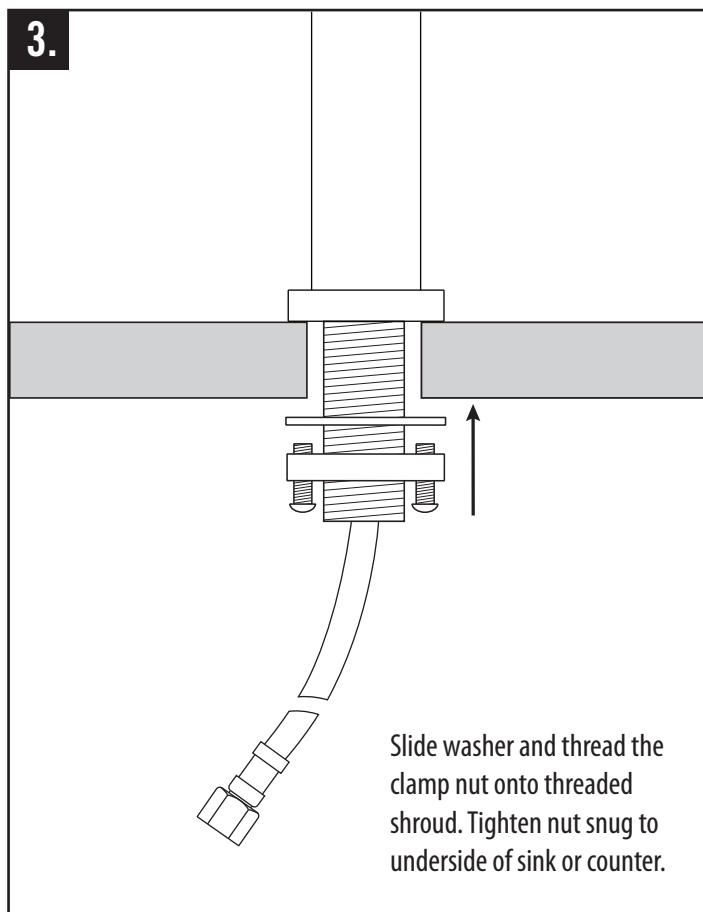
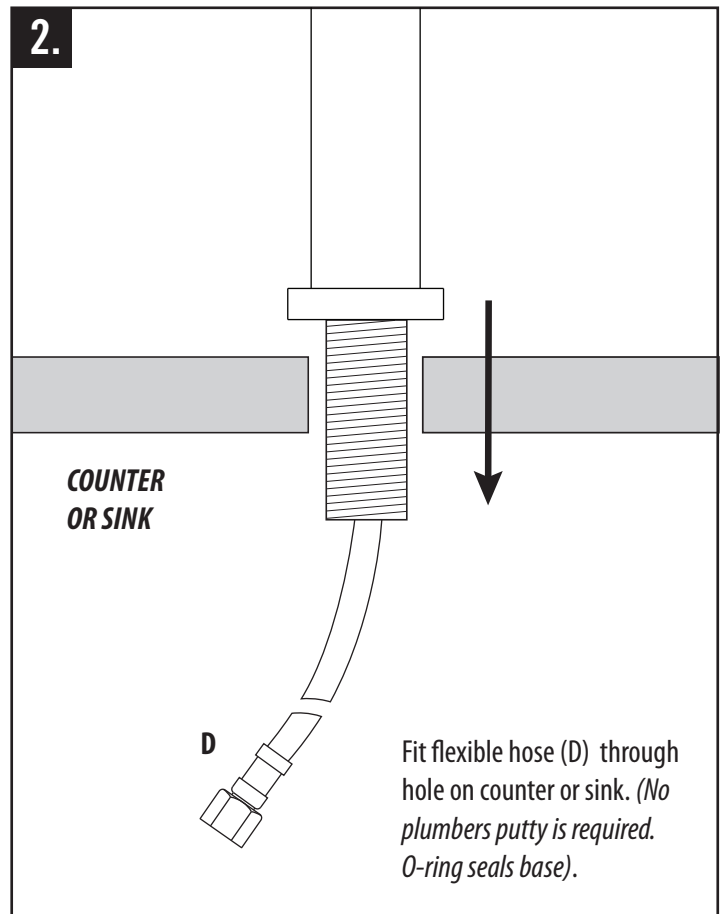
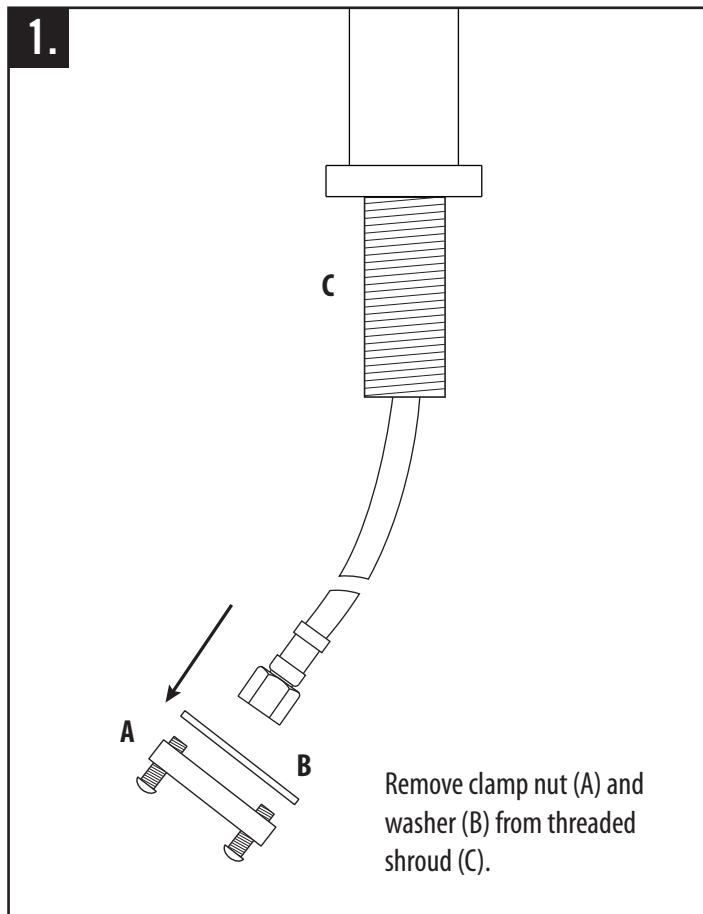
All Waterstone products manufactured by Waterstone carry a **Limited Lifetime Guarantee** against functional defect in material or workmanship in a residential application. Consult with an authorized Waterstone dealer for complete information about our warranty.

For any questions or concerns about your faucet's warranty, contact Waterstone.

Waterstone Faucets  
41180 Raintree Court • Murrieta, CA 92562  
1-888-304-0660  
[www.waterstoneco.com](http://www.waterstoneco.com)

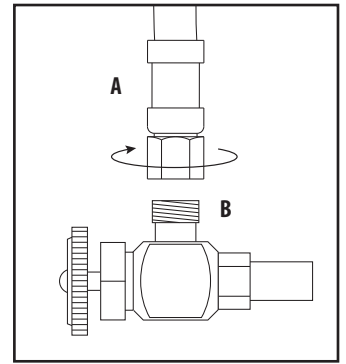


# COUNTER MOUNTED POTFILLER INSTALLATION

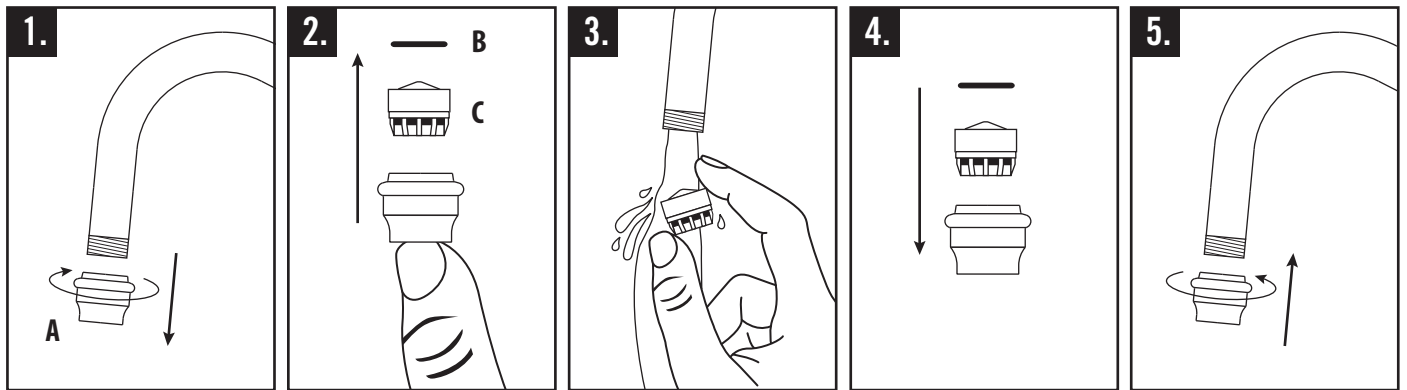


## CONNECTING SUPPLY HOSES

1. Before connecting supply hoses, flush supply stops to clear any debris. Place a bucket underneath stops and run water for 5 to 10 seconds. Turn water off.
2. Carefully position hot and cold supplies so they will not interfere with other hoses.
3. Connect supply hoses (A) to supply stops (B). **DO NOT** use teflon tape or plumbers putty. Turn water back on and check for leaks.



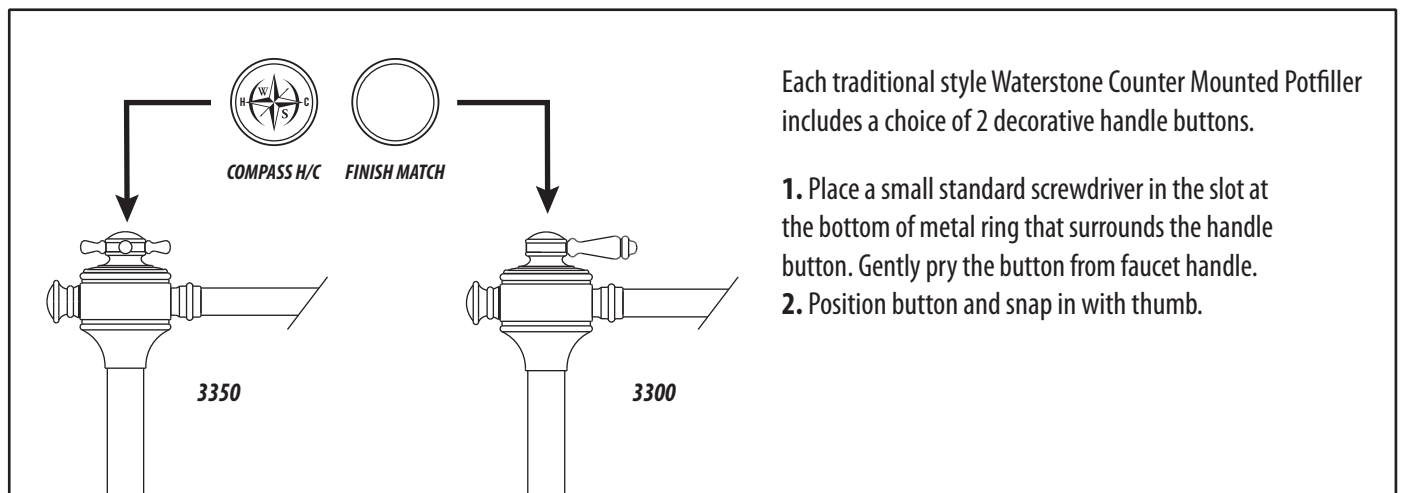
## CLEANING AERATOR AND DEBRIS SCREEN



Depending on quality of your household water, the aerator and debris screen may become clogged. We recommend cleaning one week after installation, then a minimum of once of year thereafter. To remove the debris, follow the steps below.

1. Gently unscrew and remove spout tip (A) by hand.
2. Remove O-ring (B). To remove aerator (C), push with finger from bottom.
3. Thoroughly rinse aerator with water until all debris is removed.
4. Place aerator, then O-ring back into spout tip.
5. Gently screw spout tip, by hand, snugly back onto spout.

## OPTIONAL DECORATIVE BUTTON (TRADITIONAL ONLY)



Each traditional style Waterstone Counter Mounted Potfiller includes a choice of 2 decorative handle buttons.

1. Place a small standard screwdriver in the slot at the bottom of metal ring that surrounds the handle button. Gently pry the button from faucet handle.
2. Position button and snap in with thumb.