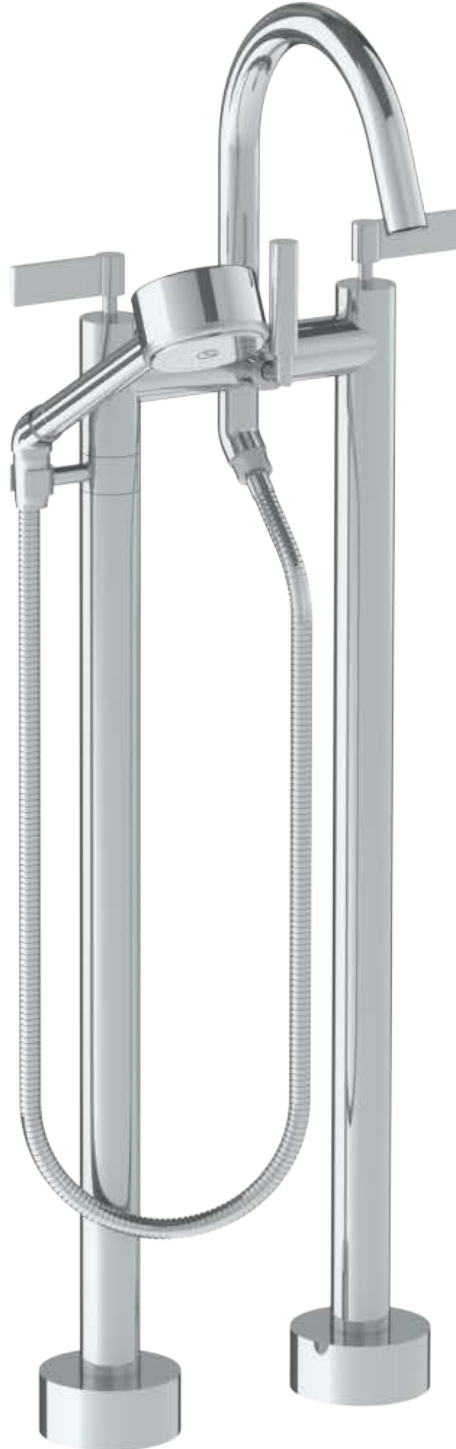


**37-8.3V-BL2**

Floor Mounted Tub Group

Hand Shower Flow Rate: 2.0 GPM

Note: Some building codes require remote pressure balance valves for anti-scald



Meets the applicable requirements of ASME A112.18.1-2005/CSA B125.1-05, entitled "Plumbing Supply Fittings"

**WATERMARK DESIGNS 2/23/2018**

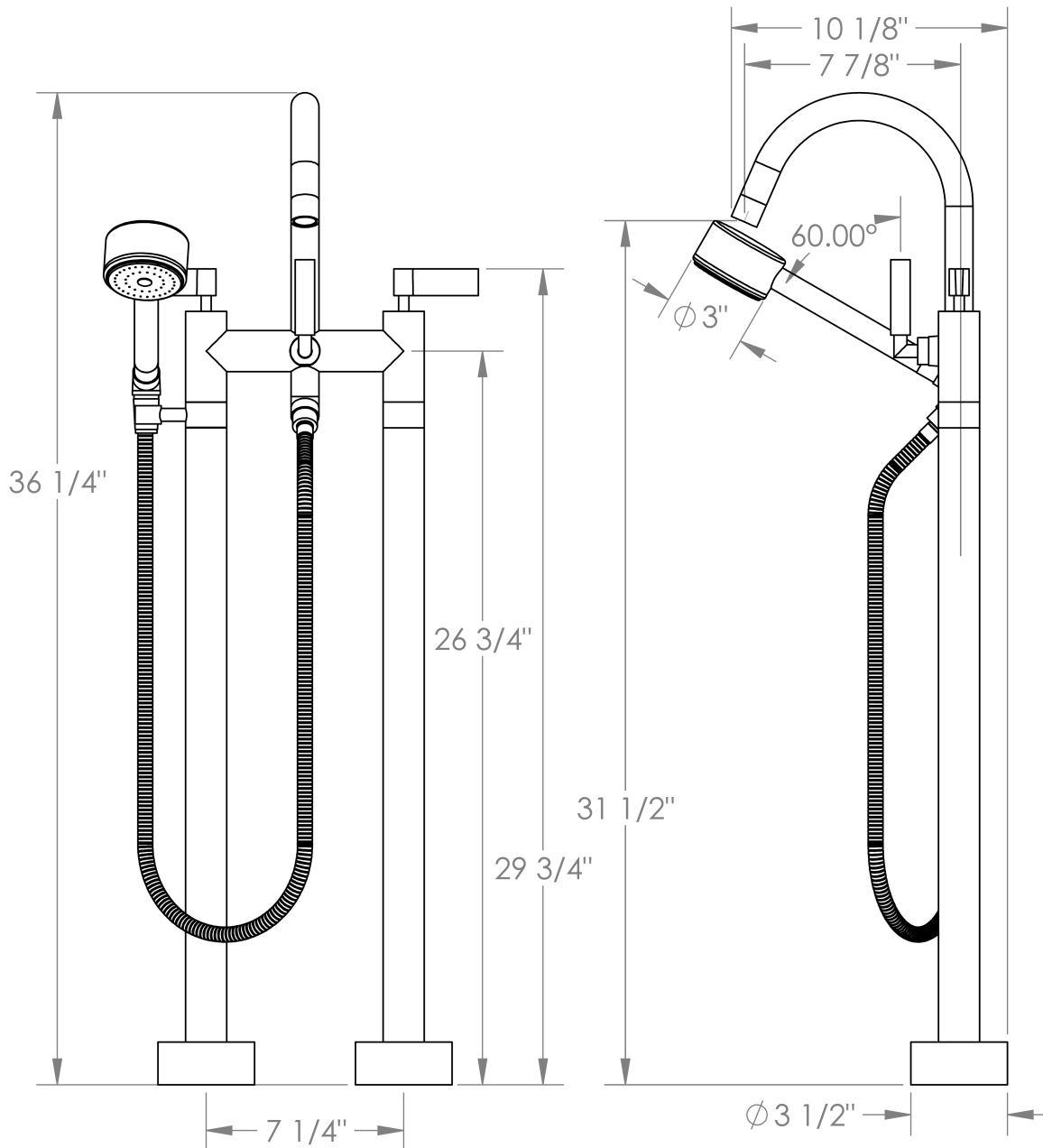
350 Dewitt Ave Brooklyn NY 11207 USA T 718 257 2800 F 718 257 2144 [info@watermark-designs.com](mailto:info@watermark-designs.com)

**37-8.3V-BL2**

Floor Mounted Tub Group

Hand Shower Flow Rate: 2.0 GPM

Note: Some building codes require remote pressure balance valves for anti-scald



Meets the applicable requirements of ASME A112.18.1-2005/CSA B125.1-05, entitled "Plumbing Supply Fittings"