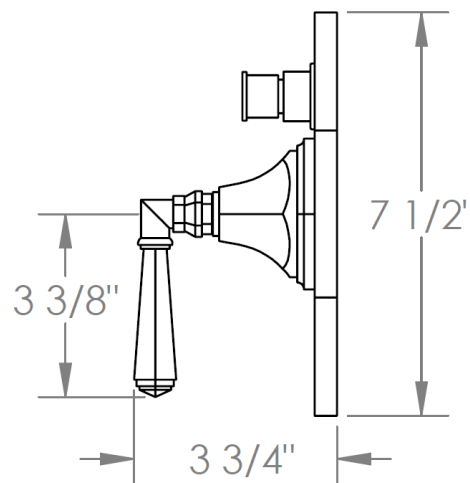
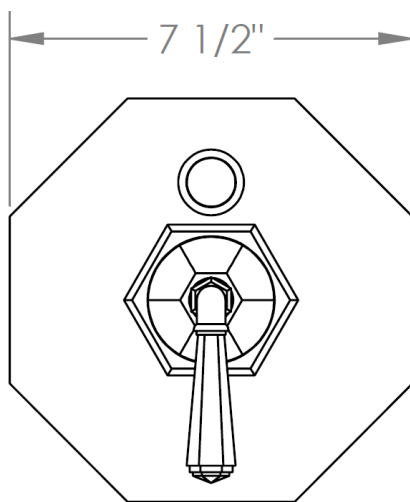
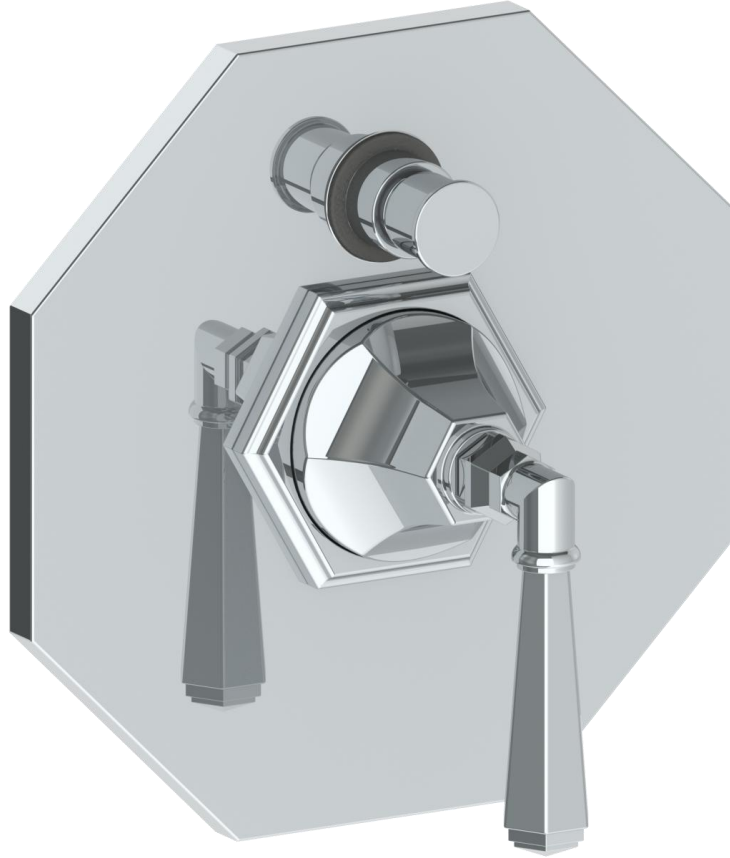
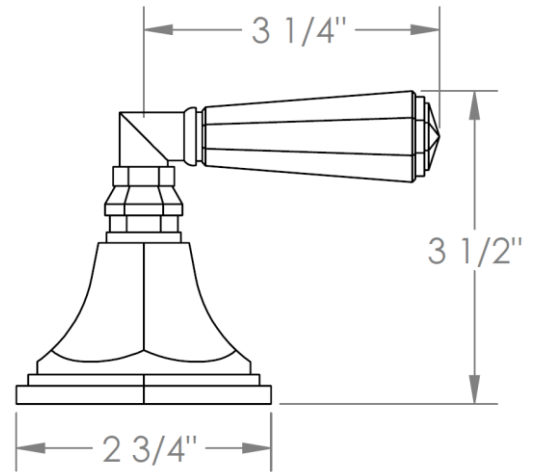


**314-P90-\_\_**  
Trim Kit for Pressure Balance Valve with Diverter  
Requires SS-PB85 concealed rough

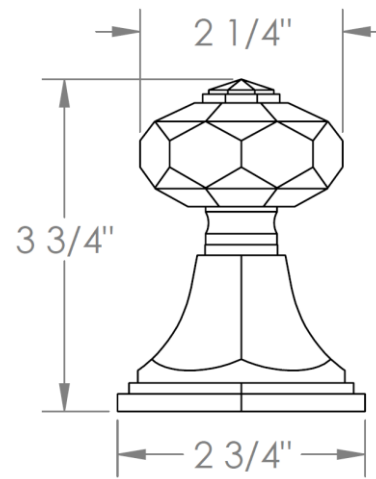


**HANDLE TRIM OPTIONS**

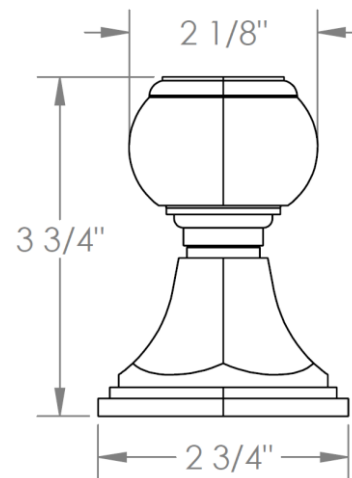
**CRY4 – ROOSEVELT**



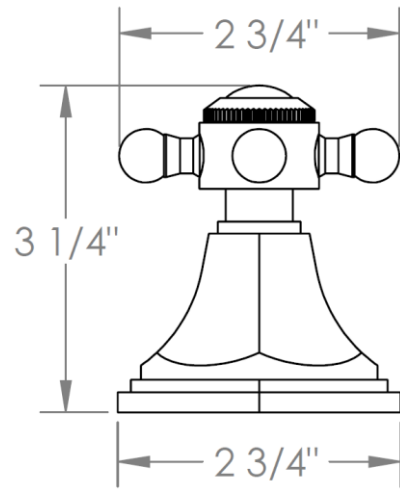
**CRY5 – MARMONT**



**T6 – NEWTON**



XX – SHETFIELD



YY – NEWPORT

