

# INSTALLATION FOR BATH ACCESSORIES

## Note:

- Use plywood backing in walls whenever possible, to ensure security to wall.
- When installing towel bars, be sure that distance between center of posts is correct before drilling into wall.
- Do all painting, staining or wall papering before accessory installation.

**Carefully remove all parts from the box. Identify which installation fits your accessory type.**

## Installations 1A-1E.

- 1 Center mounting plate (2) to desired location and mark position for screw holes on the wall.
- 2 If using anchors supplied (1), drill two 5/16" holes at marked positions. Insert anchors into holes until flush with the wall.  
**Note:** On tile surfaces, hollow wall anchors are required (not supplied).
- 3 Secure mounting plate (2) to wall with screws (3).

### Installation 1A.

- 4 Press decorative trim ring (4) over the mounting plate (2).

### Installation 1B.

- 4 Place post (5) over mounting plate (2). Tighten set screw (6) underneath post to secure.

### Installation 1C: Metal Escutcheons.

- 4 Screw mounting shaft (7) to mounting plate (2).
- 5 Proceed to screw escutcheon (8) to mounting shaft.
- 6 Place post (9) onto shaft and tighten with set screw (6).

### Installation 1D: Porcelain Escutcheons.

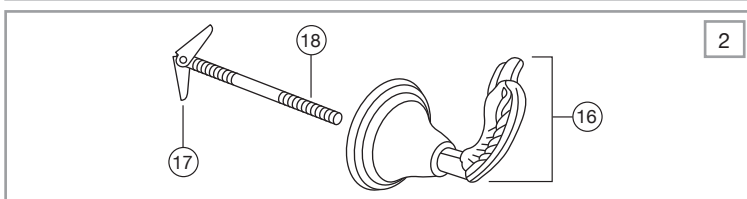
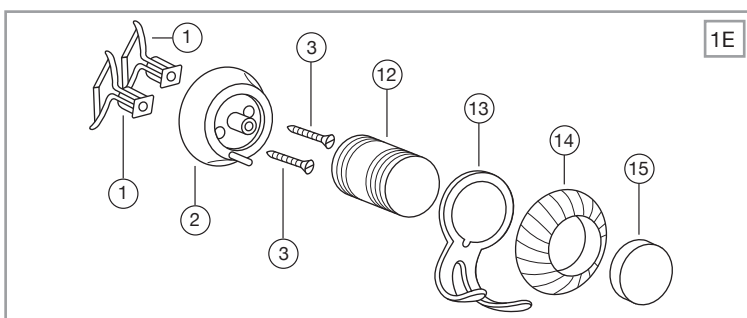
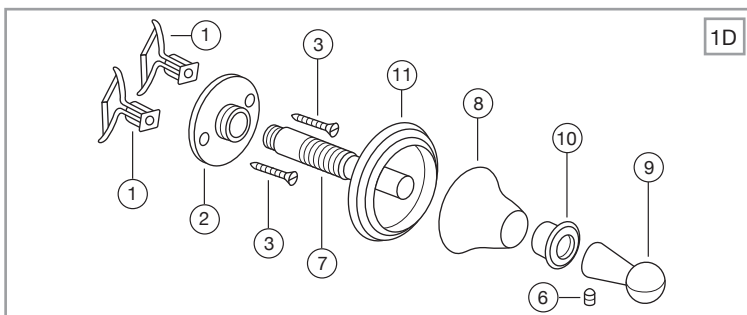
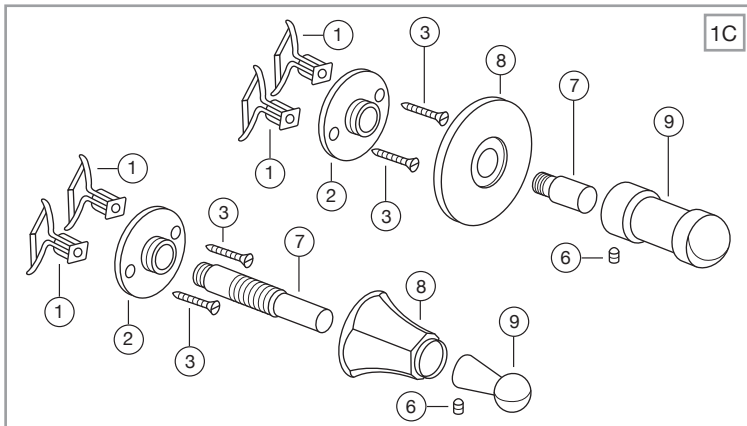
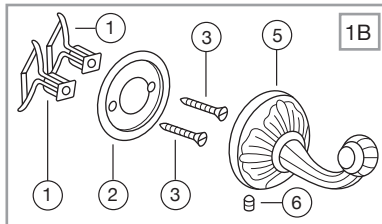
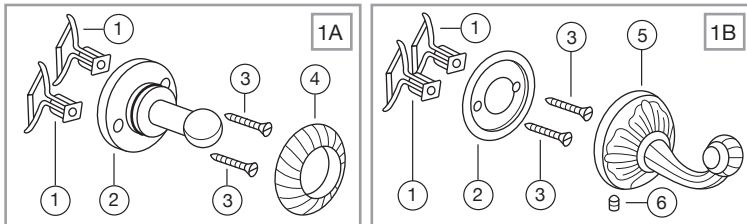
- 4 Screw escutcheon nut (10) to mounting shaft (7).
- 5 Insert mounting shaft through the escutcheon (8) and the base ring (11), if one exists. Screw mounting shaft to mounting plate.
- 6 Place post (9) onto shaft and tighten with set screw (6).

### Installation 1E.

- 4 Screw threaded tube (12) to mounting plate (2).
- 5 Place accessory bracket (13), then ring (14) over threaded tube.
- 6 Screw cap (15) onto threaded tube.

### Installation 2.

- 1 Center accessory post (16) at desired location and mark position for screw hole.
- 2 Drill 5/16" hole at the marked position.
- 3 Screw the threaded screw (18) into the accessory post.
- 4 Screw toggle (17) onto threaded screw (so that wings close towards accessory post).
- 5 Fold toggle wings and press through the wall, so that wings open inside the wall.
- 6 Proceed to screw accessory post, clockwise, to wall. Apply minimal pulling pressure away from wall to ensure toggle grasps inside wall.



FOR TECHNICAL SUPPORT PLEASE CALL 718-257-2800

REV. 4/06

# BATH ACCESSORIES

## WATERMARK

## FINISH CARE AND MAINTENANCE

### DESIGNS

**Watermark** accessories are high quality products made from solid brass. Watermark has prepared the following care information to help keep your accessory free from tarnish and looking like new. Please read it carefully before your hardware is installed.

To help ensure the beauty of brass accessories, never install an item until construction is almost completed and after:

- Workmen have finished treating nearby tile or marble with acid or chemicals.
- The air conditioning or heat has been turned on.
- The room has been painted or stained.

To prolong the life of the protective coating and delay the refinishing process, follow these guidelines:

- Apply a non-abrasive, polymer-based automobile wax or "Carnuba" wax (acid free) to new brass before installing it. Wax should be re-applied once a month.
- Avoid contact with newly applied paint, thinner or other harsh solvents.
- To clean, wipe your accessory with a soft cloth dampened with mild soapy water.
- Do not use chemical cleaners or any product with ammonia (i.e. Glass Plus, Windex or 409).
- Avoid hitting your hardware with rings or other sharp instruments.
- It is important that you keep the accessory dry. Elements in water remaining on the accessory can break down the finish.
- Avoid contact with cosmetic products, such as shaving cream, nail polish remover or colognes.

If you need further assistance concerning a particular finish, please feel free to contact our **Technical Services Department at: 718 257-2800**. Our knowledgeable service representatives will be happy to assist you. Your local Watermark distributor will also be glad to offer their support.

## PRODUCT WARRANTY

### **Finish Warranty:**

For a period of 5 years from date of purchase, we will restore at no charge, the original finish on any item which proves unsatisfactory due to normal usage. This warranty is void if any of the above finish maintenance instructions are not adhered to.

### **Mechanical Warranties:**

Faucets and all other metal and acrylic products carry a 25 year warranty against manufacturer's defect. Any metal or acrylic product that proves to be mechanically defective during this period should be returned to the factory for replacement or repair at no charge. Due to fragility, this warranty does not cover any porcelain, wood, or crystal part or product.

Shipping charges for merchandise returned to the factory are not covered.

**Watermark** will not be liable for any labor or other expenses or for damages of any kind or nature incurred in connection with the sale, use or replacement of any defective products or parts or portions thereof. **Watermark** neither assumes nor authorizes any other person to assume for it any liabilities in connection with the sale or use of its products.