

Collection

BIRKIN

Article

BR225_2

Description

Monohole bidet mixer complete with drain.

Box Dimensions

353x225x226 mm

Weight

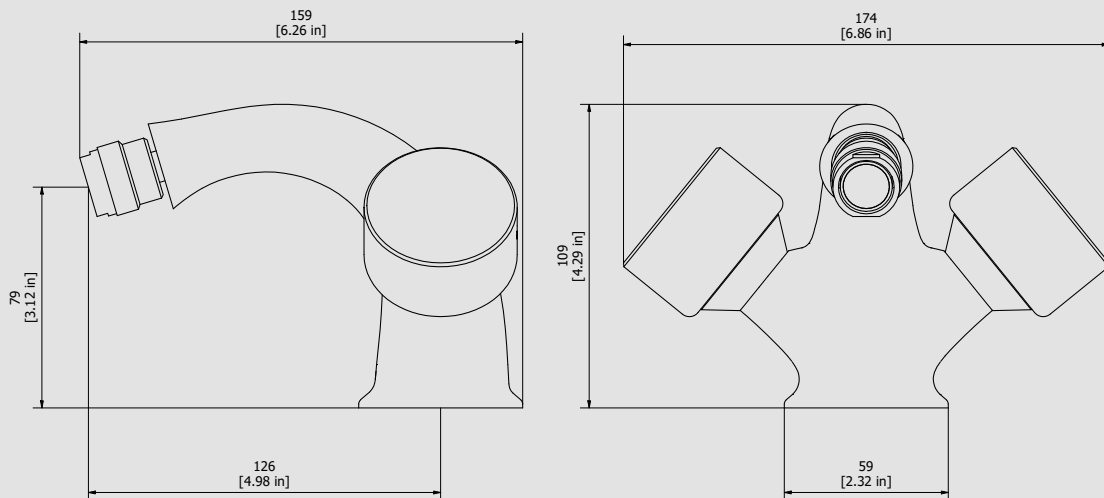
3.5 kg

Finishes

- **CC**
CHROME
- **PL**
PLATINUM
- **SS**
BRUSHED
NICKEL
- **ON**
NATURAL
BRASS
- **BO**
MATT
WHITE
- **NP**
MATT
BLACK
- **CF**
BLACK
CHROME
- **CS**
BRUSHED
BLACK
CHROME
- **II**
PALE
GOLD
- **IS**
BRUSHED
PALE GOLD
- **RS**
ROSE
GOLD
- **SR**
BRUSHED
ROSE GOLD
- **OO**
GOLD
- **OS**
BRUSHED
GOLD
- **RR**
ANTIQUÉ
COPPER
- **BB**
ANTIQUÉ
BRONZE



Dimensions



Cartridge

Ceramic headwork

Hoses

-

Aerator

M24x1

Flow Rate (+/-10%)

1 BAR	2 BAR	3 BAR
10.3 l/m	14.7 l/m	18.2 l/m

Production

Main body is a single casted pieces

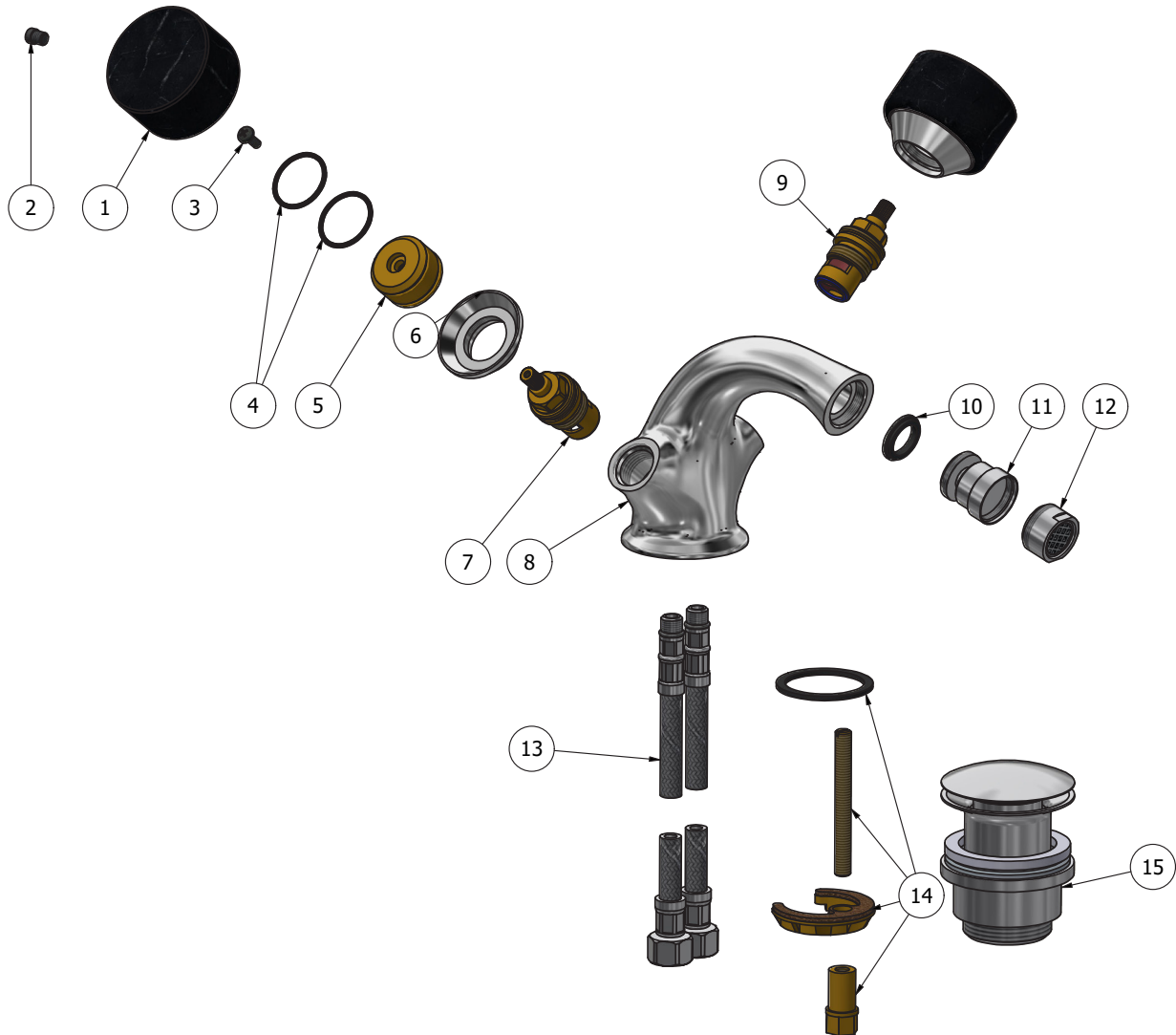
Material

BRASS
According to CuZn35Pb2Al-B (CB752S)
Max Lead content: 1.36%



WE ARE IB

Parts list			
ELEM.	CODE	DESCRIPTION	QTÀ
1	AQ0014947	Marble cover Ø55 H32	2
2	AQ0015558	Screw Ø7.1 M6 H9 dark gray	2
3	AQ0002160	Screw M4x10	2
4	AQ0006586	OR 25.12x1.78 NBR 70 SH	4
5	AS0012526	Handle Ø29.9 H19	2
6	AC0012684	Headwork's cover Ø27 Ø44 H14	2
7	AQ0002135	Ceramic headwork 90° left	1
8	AC0012417	Bidet monohole	1
9	AQ0003930	Ceramic headwork 90° right	1
10	AQ0014995	Rubber Ø23 Ø20.5 Ø16 H3.3 NBR 60	1
11	AQ0001940	Articulated joint M24x1 (69.0151.0)	1
12	AQ0000020	Aerator M24 x 1 perlator honeycomb (40200503301)	1
13	AQ0000932	Inox hose M10x1 G3/8" F L400	2
14	AQ0009171	Fixing set	1
15	AQ0009837	Simple rapid waste 1"1/4	1





WARRANTY

All IB Rubinetterie SpA products are warranted for 10 years from the date of purchase, for the following cases:

- Defects of casting, porosity and chrome plating.
- Operating defects caused by incorrect fabrication.

The warranty provides for repair or replacement of products with fabrication defects recognized by our technical office. There is no other type of compensation anche the merchandise must be returned FOB our warehouse. The warranty only cover surface defects (scatches, dings, etc.) on fitting that have not been installed and used, returned in its original packaging with all components. O-ring, gasket seals and components subject to wear proportional to use are warranted for 2 years.

The warranty is void in the following cases:

Error installing and putting the product into service.

Deterioration of finished surfaces due to use of cleaning products containing acids or abrasive substances. Deterioration of surface with finishes other than chrome plating. Their durability is, in fact, dependent on the user's care and gentleness of use.

Deterioration of the fitting due incorrect installation.

Improper repairs and maintenance performed without the company's prior authorization.

The warranty from IB Rubinetterie SpA is not renewable.

Cleaning

We recommended cleaning the finish surfaces with water and soap, using a soft cloth.

Do not use detergents that contain hydrochloric acid or abrasive substances.

