



# IB RUBINETTI

Collection

## TAAAC

Article

## AA392

Description

Three holes washbasin with low spout

Box Dimensions

340 x 180 x 70 mm

Weight

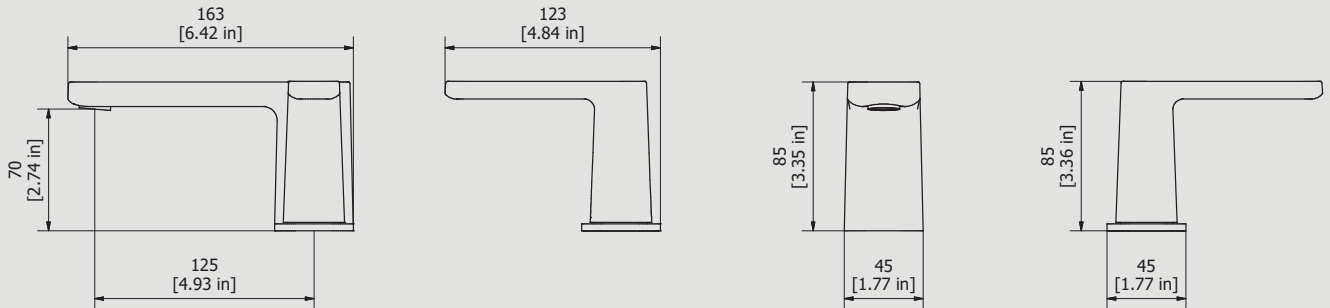
3.5 kg



Finishes

- **CC** CHROME
- **CF** BLACK CHROME
- **OO** GOLD
- **BB** ANTIQUE BRONZE
- **SS** BRUSHED NICKEL
- **CS** BRUSHED BLACK CHROME
- **BO** MATT WHITE
- **NP** MATT BLACK
- **IS** BRUSHED PALE GOLD
- **OS** BRUSHED GOLD
- **II** PALE GOLD
- **RR** ANTIQUE COPPER
- **ORS** ROSE GOLD
- **ON** NATURAL BRASS
- **SR** BRUSHED ROSE GOLD
- **PL** PLATINUM

Dimensions



Cartridge

G1/2" ceramic headwork

Threaded fitting

Treaded fitting G1/2" male

Aerator

M24x1

Flow Rate (+/-10%)

<b>1 BAR</b>	<b>2 BAR</b>	<b>3 BAR</b>
4.5 l/min	5 l/min	5 l/min

Production

Main body is a single casted pieces

Material

**BRASS**  
According to CuZn35Pb2AL-B (CB752S)  
Max Lead content: 1.36%

IB RUBINETTERIE s.p.a  
via dei Pianotti 3/5  
25068 Sarezzo (BS) - Italy -

T. +39 030 802101  
F. +39 030 803097  
info@ibrubinetterie.it

P.IVA 01785230986  
capitale sociale  
€420.000,00 i.v.

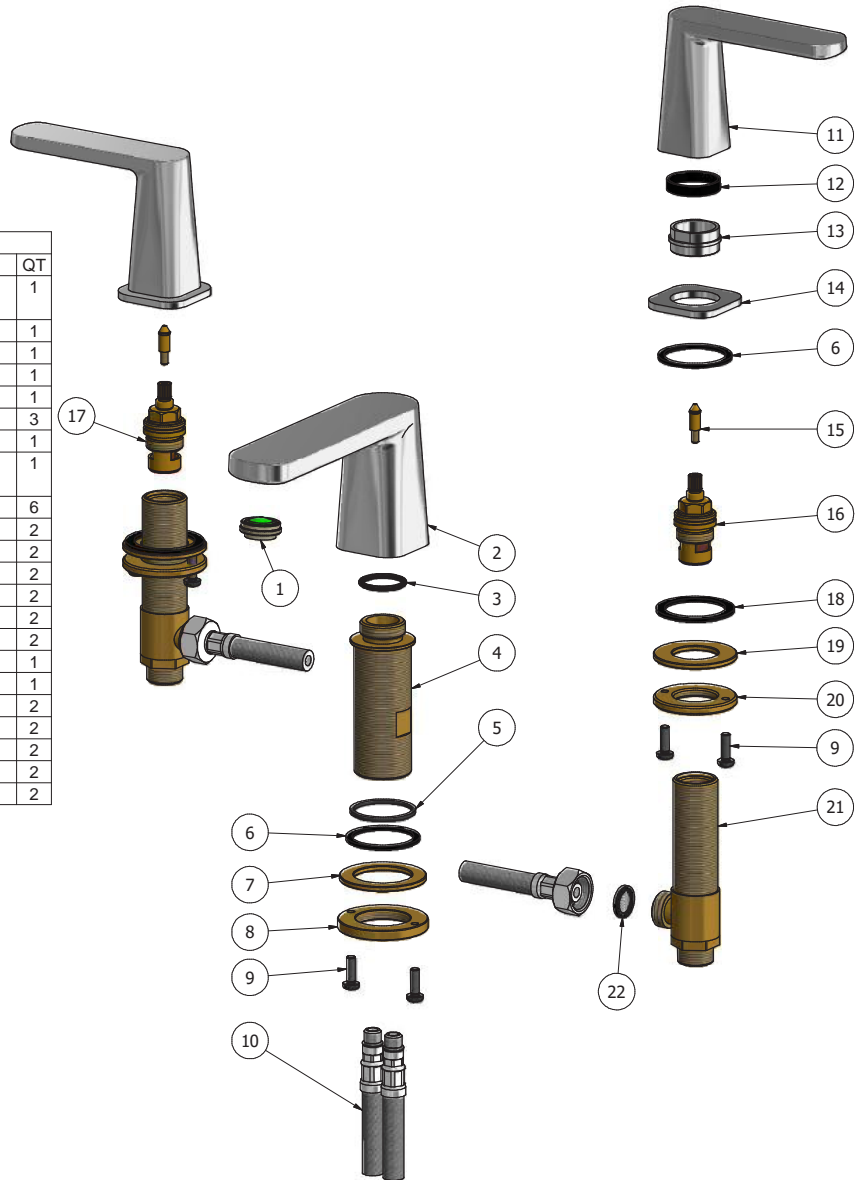
WWW.IBRUBINETTI.IT





# IB RUBINETTI

Parts list			
ELEM	CODE	DESCRIPTION	QT
1	AQ0013390	Perlator NP slim M24x1 1.5 GPM (40.8356.01)	1
2	CC0002355	Spout L163 H85 45x45	1
3	AQ0008088	OR 22.23x2.62 NBR 70 SH	1
4	AS0010660	Stem M33x1.5 H91	1
5	AQ0010274	Rubber packing Ø38x33.5x2	1
6	AQ0008012	Plane seal Ø42.5x35.5x2	3
7	AS0010659	Brass ring Ø50x35.5x3	1
8	AS0010658	Ring nut with screwed holes Ø52 M33x1.5 H6	1
9	AQ0010358	Inox screw M5x16	6
10	AQ0010273	Inox hose M10x1 G1/2" L400	2
11	AQ0015230	Handle L118 H85 35x35 Ø29	2
12	AQ0015381	Antifriction ring Ø31 H6	2
13	AC0012644	Base's fixing Ø30 26x19 H14	2
14	AC0012645	Base 45x45 H4	2
15	AQ0010617	Click connection for headworks with ring	2
16	AQ0003930	Ceramic headwork 90° right	1
17	AQ0002135	Ceramic headwork 90° left	1
18	AQ0008013	Rubber packing 45x35x2	2
19	AS0010697	Washer Ø48 x Ø26.5 x3	2
20	AS0010698	Ring nut W26x19	2
21	AS0002250	Washbasin upright W26x19	2
22	AQ0010360	Rubber packing 1/2" H2 with filter	2



**WARRANTY**

All IB Rubinetterie SpA products are warranted for 10 years from the date of purchase, for the following cases:

- Defects of casting, porosity and chrome plating.
- Operating defects caused by incorrect fabrication.

The warranty provides for repair or replacement of products with fabrication defects recognized by our technical office. There is no other type of compensation anche the merchandise must be returned FOB our warehouse. The warranty only cover surface defects (scatches, dings, etc.) on fitting that have not been installed and used, returned in its original packaging with all components. O-ring, gasket seals and components subject to wear proportional to use are warranted for 2 years.

**The warranty is void in the following cases:**

Error installing and putting the product into service.

Deterioration of finisched surfaces due to use of cleaning products containing acids or abrasive substances. Deterioration of surface with finishes other than chrome plating. Their durability is, in fact, dependent on the user's care and gentleness of use.

Deterioration of the fitting due incorrect installation.

Improper repairs and maintenance performed without the company's prior authorization.

The warranty from IB Rubinetterie SpA is not renewable.

**Cleaning**

We recommended cleaning the finish surfaces with water and soap, using a soft cloth.

Do not use detergents that cointain hydrochloric acid or abrasive substances.

