



IB RUBINETTI

Collection

TAAAC

Article

AA323

Description

Wall mounted spout with diverter

Box Dimensions

150 x 190 x 98 mm

Weight

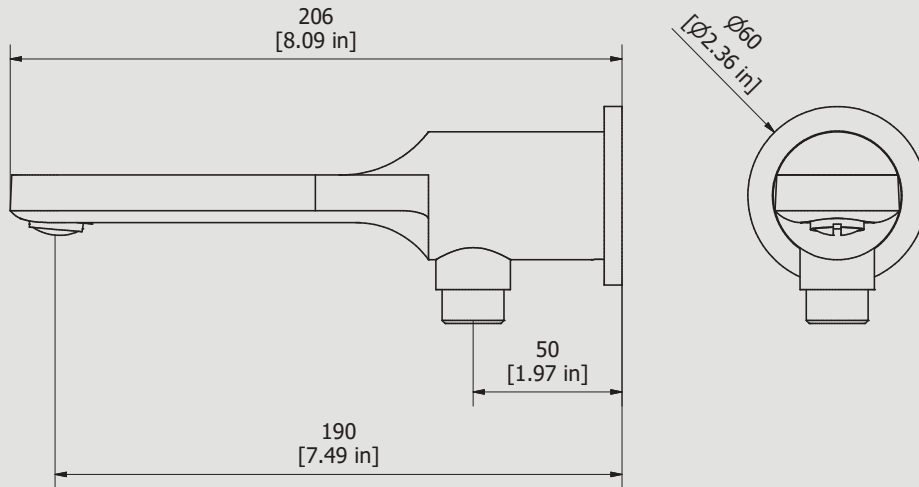
1.1 kg

Finishes

- **CC** CHROME
- **CF** BLACK CHROME
- **OO** GOLD
- **BB** ANTIQUE BRONZE
- **SS** BRUSHED NICKEL
- **CS** BRUSHED BLACK CHROME
- **BO** MATT WHITE
- **NP** MATT BLACK
- **IS** BRUSHED PALE GOLD
- **OS** BRUSHED GOLD
- **II** PALE GOLD
- **RR** ANTIQUE COPPER
- **ORS** ROSE GOLD
- **ON** NATURAL BRASS
- **SR** BRUSHED ROSE GOLD
- **PL** PLATINUM



Dimensions



Cartridge

Threaded fitting

Treaded fitting G1/2" male

Aerator

M24x1

Flow Rate (+/-10%)

1 BAR
29.2 l/min

2 BAR
41.3 l/min

3 BAR
50.6 l/min

Production

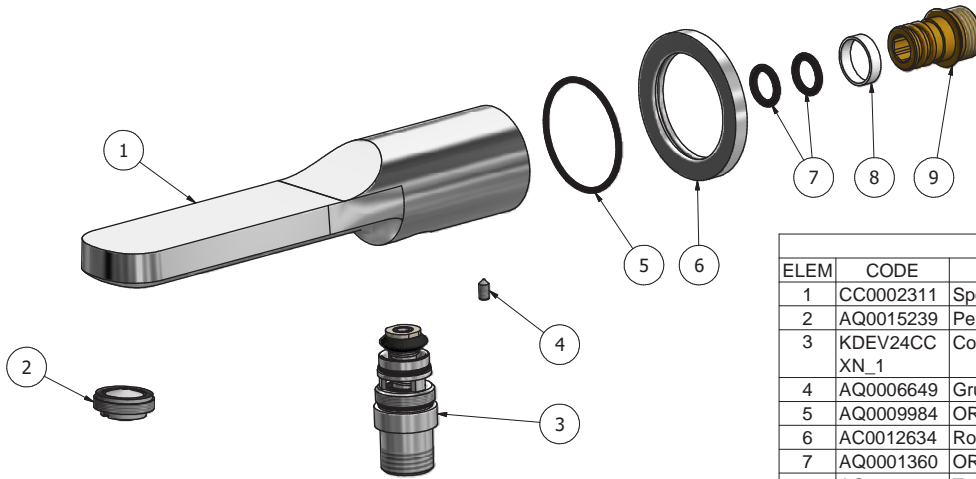
Main body is a single casted pieces

Material

BRASS
According to CuZn35Pb2AL-B (CB752S)
Max Lead content: 1.36%



IB RUBINETTI



Parts list			
ELEM	CODE	DESCRIPTION	QT
1	CC0002311	Spout Ø43 41.8 L205.5 with diverter	1
2	AQ0015239	Perlator coin slot M24x1 (45.2100.000)	1
3	KDEV24CC XN_1	Complete diverter M24x1 G1/2"	1
4	AQ0006649	Grubscrew M4x8 cone point	1
5	AQ0009984	OR 43x2 NBR 70 SH	1
6	AC0012634	Rosette Ø60 Ø42 H6	1
7	AQ0001360	OR 11.91x2.62 NBR 70 SH	2
8	AQ0010435	Teflon ring Ø19,9 x 5	1
9	AS0010397	Linking piece for spout	1

WARRANTY

All IB Rubinetterie SpA products are warranted for 10 years from the date of purchase, for the following cases:

- Defects of casting, porosity and chrome plating.
- Operating defects caused by incorrect fabrication.

The warranty provides for repair or replacement of products with fabrication defects recognized by our technical office. There is no other type of compensation anche the merchandise must be returned FOB our warehouse. The warranty only cover surface defects (scatches, dings, etc.) on fitting that have not been installed and used, returned in its original packaging with all components. O-ring, gasket seals and components subject to wear proportional to use are warranted for 2 years.

The warranty is void in the following cases:

Error installing and putting the product into service.

Deterioration of finisched surfaces due to use of cleaning products containing acids or abrasive substances. Deterioration of surface with finishes other than chrome plating. Their durability is, in fact, dependent on the user's care and gentleness of use.

Deterioration of the fitting due incorrect installation.

Improper repairs and maintenance performed without the company's prior authorization.

The warranty from IB Rubinetterie SpA is not renewable.

Cleaning

We recommended cleaning the finish surfaces with water and soap, using a soft cloth.

Do not use detergents that cointain hydrochloric acid or abrasive substances.

