



# IB RUBINETTI

Collection

## TAAAC

Article

## AA206

Description

**Wall mounted wahbasin mixer**

**Built-in body to be purchased separately INC206XXXN\_19**

Box Dimensions

**265 x 260 x 70 mm**

Weight

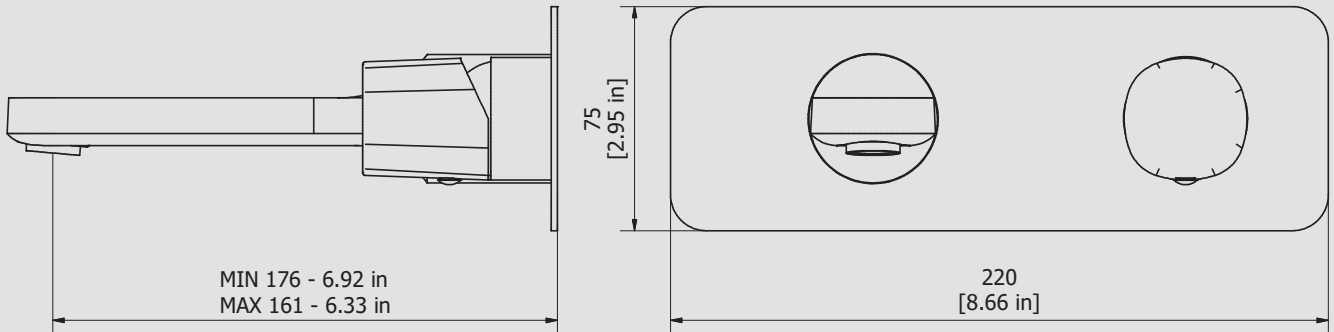
**1.9 kg**



Finishes

- **CC**  
CHROME
- **CF**  
BLACK CHROME
- **OO**  
GOLD
- **BB**  
ANTIQUE BRONZE
- **SS**  
BRUSHED NICKEL
- **CS**  
BRUSHED BLACK CHROME
- **BO**  
MATT WHITE
- **NP**  
MATT BLACK
- **IS**  
BRUSHED PALE GOLD
- **OS**  
BRUSHED GOLD
- **II**  
PALE GOLD
- **RR**  
ANTIQUE COPPER
- **ORS**  
ROSE GOLD
- **ON**  
NATURAL BRASS
- **SR**  
BRUSHED ROSE GOLD
- **PL**  
PLATINUM

Dimensions



Cartridge

**Ø35 ceramic cartridge**

Threaded fitting

**Treaded fitting G1/2" female**

Aerator

**M24x1**

Flow Rate (+/-10%)

|                  |                |                |
|------------------|----------------|----------------|
| <b>1 BAR</b>     | <b>2 BAR</b>   | <b>3 BAR</b>   |
| <b>4.5 l/min</b> | <b>5 l/min</b> | <b>5 l/min</b> |

Production

**Main body is a single casted pieces**

Material

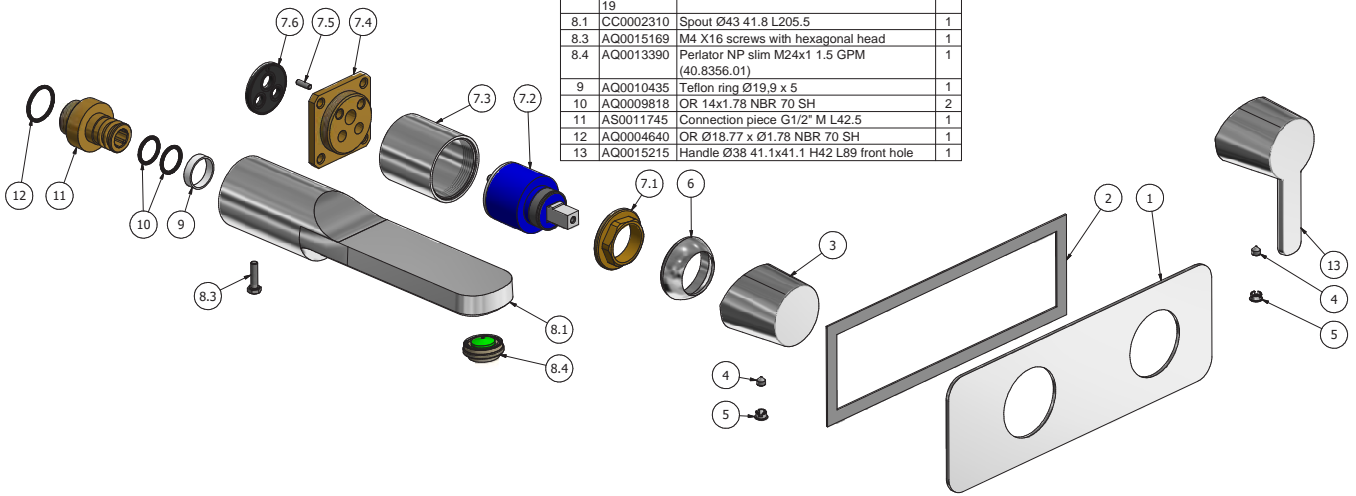
**BRASS**  
According to CuZn35Pb2AL-B (CB752S)  
Max Lead content: 1.36%





# IB RUBINETTI

| Parts list |              |   |    |
|------------|--------------|---|----|
| ELEM       | CODE         | DESCRIPTION                                 | QT |
| 1          | AQ0013175    | Plate 220x75x2                              | 1  |
| 2          | AQ0014142    | Rubber packing double-sided tape 200x65x8x1 | 1  |
| 3          | AQ0015216    | Handle Ø38 41.1x41.1 H42 front hole         | 1  |
| 4          | AQ0009729    | Grubscrew M5x5 cone point                   | 2  |
| 5          | AQ0006650    | Plug cover Ø7                               | 2  |
| 6          | AQ0012068    | Chromed cover nut Ø38,2 M37x1,5             | 1  |
| 7          | CPIN206CC-19 | Mixer 47x47 x recessed                      | 1  |
| 7.1        | AQ0001040    | Cartridge ring nut M37x1.5 H9               | 1  |
| 7.2        | AQ0004095    | Ceramic cartridge Ø35 9x9 (K35A)            | 1  |
| 7.3        | AC0010445    | Ring for recessed shower mixer              | 1  |
| 7.4        | AS0013040    | Insert q.47x47 h11 M22x1M x mixer           | 1  |
| 7.5        | AQ0015357    | Grubscrew M3x10 flat point                  | 1  |
| 7.6        | AQ0015684    | Gasket Ø31 x Ø3.5                           | 1  |
| 8          | CP2310CC-19  | Together with the Taaac mouth               | 1  |
| 8.1        | CC0002310    | Spout Ø43 41.8 L205.5                       | 1  |
| 8.3        | AQ0015169    | M4 X16 screws with hexagonal head           | 1  |
| 8.4        | AQ0013390    | Perlator NP slim M24x1 1.5 GPM (40.8356.01) | 1  |
| 9          | AQ0010435    | Teflon ring Ø19,9 x 5                       | 1  |
| 10         | AQ0009818    | OR 14x1.78 NBR 70 SH                        | 2  |
| 11         | AS0011745    | Connection piece G1/2" M L42.5              | 1  |
| 12         | AQ0004640    | OR Ø18.77 x Ø1.78 NBR 70 SH                 | 1  |
| 13         | AQ0015215    | Handle Ø38 41.1x41.1 H42 L89 front hole     | 1  |



**WARRANTY**

All IB Rubinetterie SpA products are warranted for 10 years from the date of purchase, for the following cases:

- Defects of casting, porosity and chrome plating.
- Operating defects caused by incorrect fabrication.

The warranty provides for repair or replacement of products with fabrication defects recognized by our technical office. There is no other type of compensation anche the merchandise must be returned FOB our warehouse. The warranty only cover surface defects (scatches, dings, etc.) on fitting that have not been installed and used, returned in its original packaging with all components. O-ring, gasket seals and components subject to wear proportional to use are warranted for 2 years.

**The warranty is void in the following cases:**

Error installing and putting the product into service.

Deterioration of finished surfaces due to use of cleaning products containing acids or abrasive substances. Deterioration of surface with finishes other than chrome plating. Their durability is, in fact, dependent on the user's care and gentleness of use.

Deterioration of the fitting due incorrect installation.

Improper repairs and maintenance performed without the company's prior authorization.

The warranty from IB Rubinetterie SpA is not renewable.

**Cleaning**

We recommended cleaning the finish surfaces with water and soap, using a soft cloth.

Do not use detergents that contain hydrochloric acid or abrasive substances.

