

Soirée® Thermostatic Mixing Valve Trim with Single Volume Control

FEATURES

- For use with the TSTA/TSTAR SMA thermostatic mixing valve

COLORS/FINISHES

- #CP Polished Chrome
- #BN Brushed Nickel
- #PN Polished Nickel

CODES/STANDARDS

- Meets or exceeds ASME A112.18.1/CSA B125.1, ASSE 1016
- Certifications: IAPMO(cUPC), State of Massachusetts, City of Los Angeles, and others
- Code Compliance: UPC, IPC, NSPC, NPC Canada, and others



PRODUCT SPECIFICATION

Thermostatic mixing valve trim shall include mixing valve and separate volume control. Trim shall include front seal plate assembly. Shower trim shall be TOTO Model TS960C____ and required valve shall be TSTA/TSTAR.



TS960C

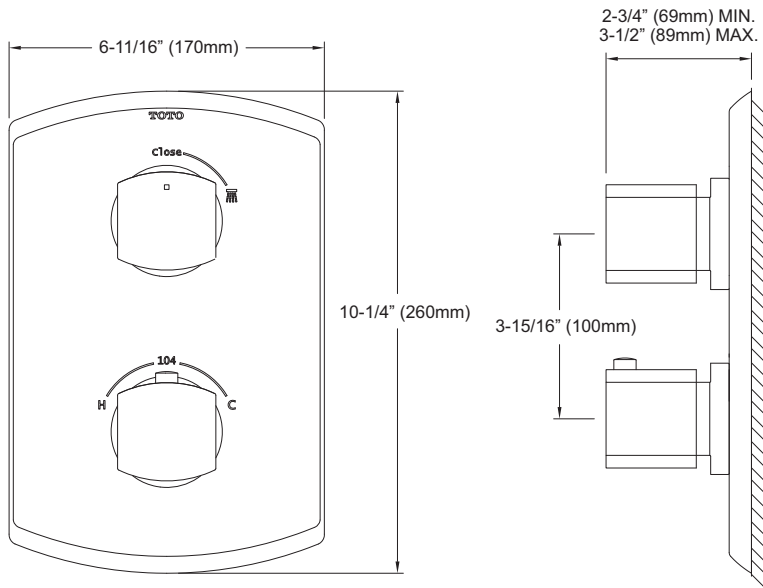
Soirée® Thermostatic Mixing Valve Trim with Single Volume Control

SPECIFICATIONS

- Warranty Lifetime Limited Warranty (Residential Use)
One Year (Commercial Use)
- Material Brass
- Shipping Weight 5.5 lbs.
- Shipping Dimensions 11-3/4" L x 10-3/4" W x 3-1/2" H

INSTALLATION NOTES

VALVE REQUIRED:
SMA thermostatic mixing valve, model TSTA or TSTAR
sold separately.



TOTO®

These dimensions and specifications are subject to change without notice