

LUXURY ITALIAN

It's all about the experience



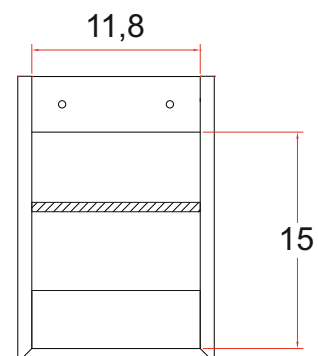
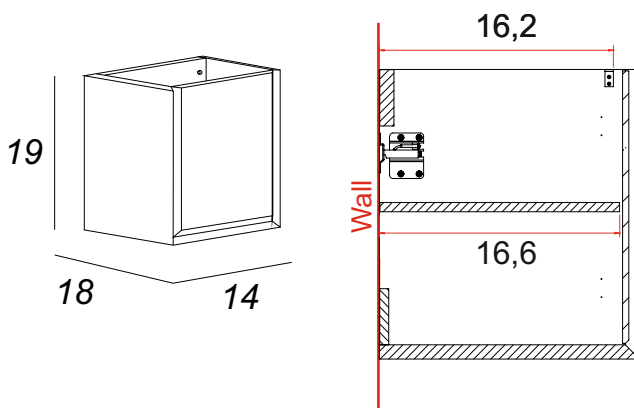
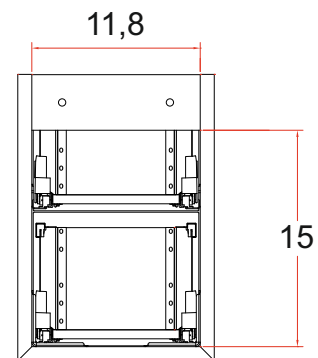
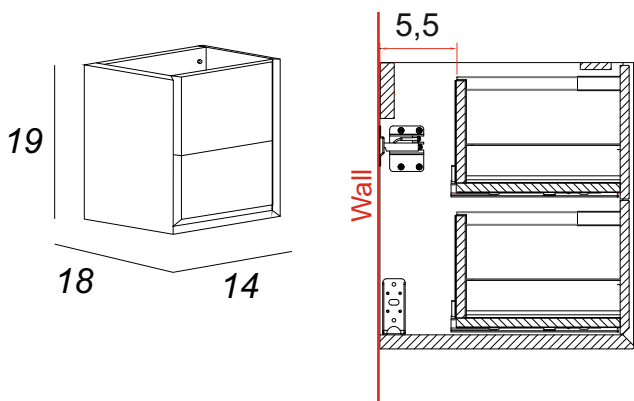
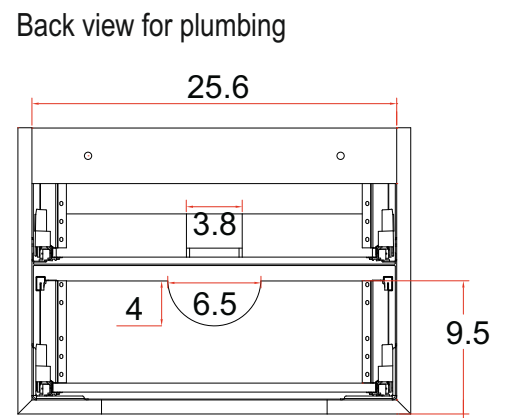
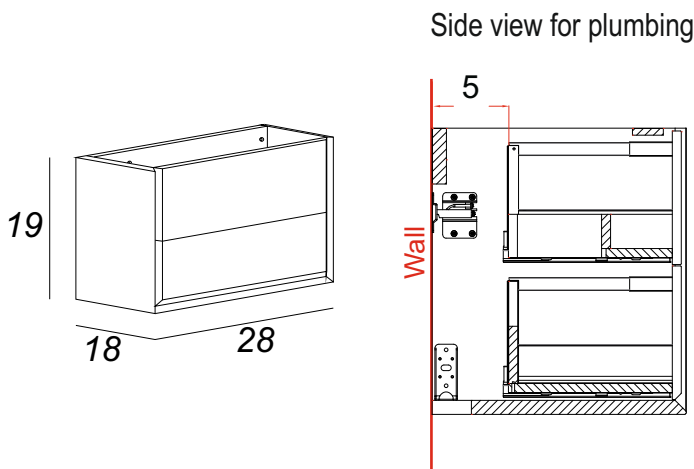
BADEN HAUS S.p.A.
SINCE 1979
www.badenhaus.it

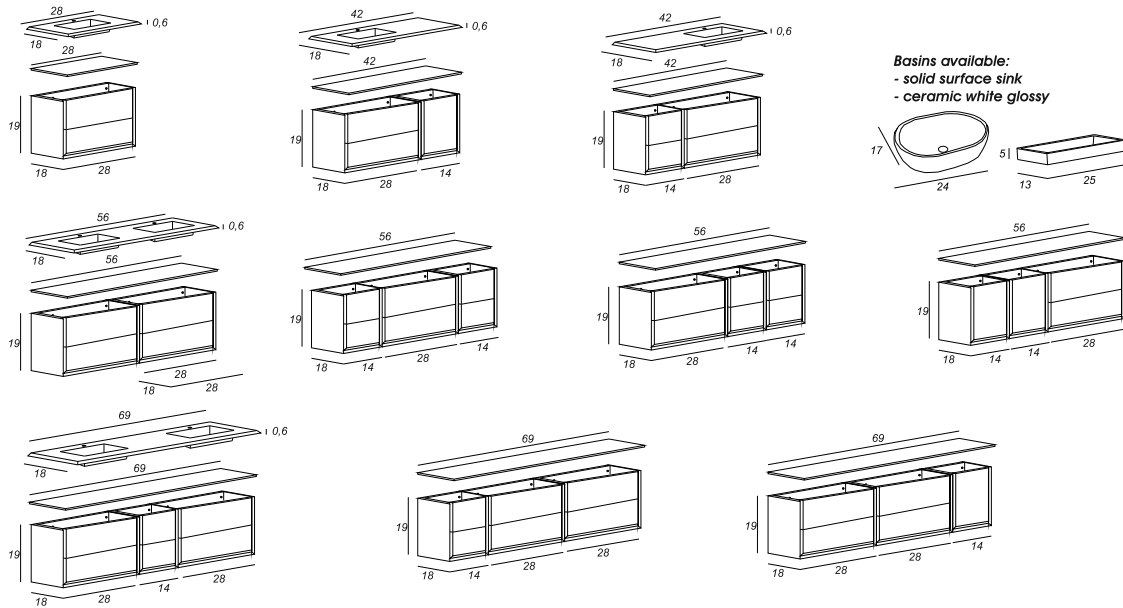
BELLAGIO

Series

Features:

- Drawers push-open and soft-close
- Handleless ergonomic continuous drawer
- Includes fully adjustable drawersliders
- Fully finished interiors
- Includes installation hardware
- Micro-Density Fiberboard (MDF) construction
- PVC finish resists moisture and scratches





FURNITURE CHARACTERISTIC



Cabinet in MDF, folding processing at 45° on 3 sides, thickness 0,98in. Drawers in MDF thickness 0,63in leaned at 45°, coated in PVC 0,01in in waterproof scratchproof that guarantee long life and reliability. Two versions of drawers are available: in MDF thickness 0,63in coated by PVC, or drawers in tempered glass + porcelain stoneware with digital printing.

The coating graphite effect allow to be drawn and colored with chalk and cleaned simply with a sponge. Inner finish textile effect with dividers to optimize all spaces.



Blum slides guaranteed for 60,000 cycles. Sides uses in furnitures allow the adjustment in 2 differint positions. Slides sides with frosted glass sheet. Hinges used in complementary allow the adjustment in 3 differint positions.



Tops and countertop washbasin in solid surface matt white, thickness 0,47in in impact resistant and regenerable. Also tops available in MDF cated in PVC 0,01in in matt white waterproof scratchproof that guarantee long life and reliability with ceramic washbasin and faucet in any position: center, right, left or wall position. The top can be easily perforated with hole saw for wood.



It is not necessary to assemble the cabinet (product not in kit).

MIRRORS



Mirroi lighting full-led, guarantee an energy saving of a 80/90% compared to a classic lighting incandescent or halogen and life of about 3/5 times higher.



The LED lighting can exceed 50.000 hours of activities, reducing the costs of maintenance. Not produce heat and withstand the high temperatures.



Unlike normal halogen lamps, do not contain mercury and do not emit harmful UV rays for the health.

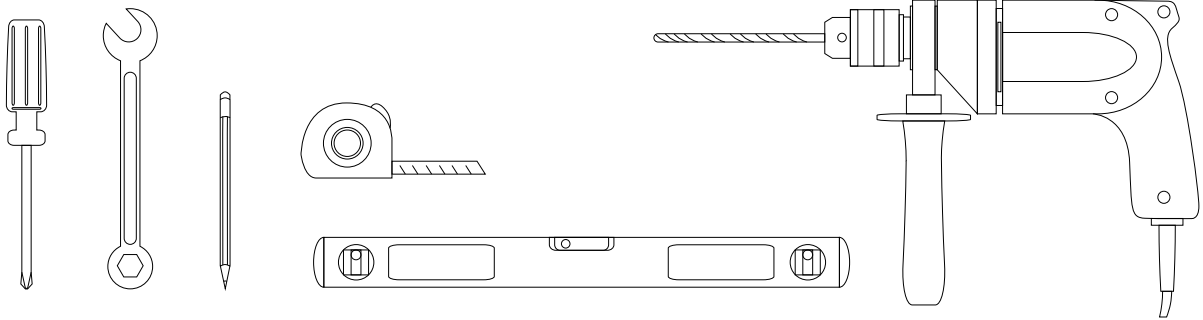
Installation notes:

Install this product according to the installation guide
 Special site preparation is required.

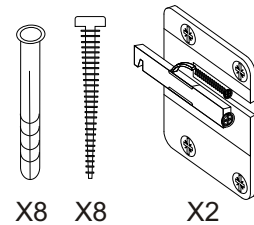
Wall bracing and Baden Haus supplied hardware are recommended.

The plumbing must be roughed into the plumbing cutout area of the vanity.

Refer to the sink rough-in and the vanity rough-in for proper placement. The water supply and drain lines must be installed before installing the vanity.

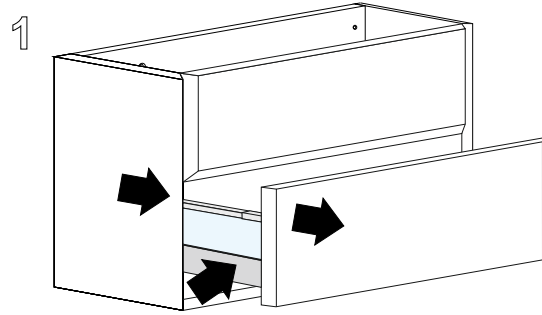
Installation tools not included:

Materials Included:

- 8 nylon rawlplug
- 8 screws
- 2 wall plate

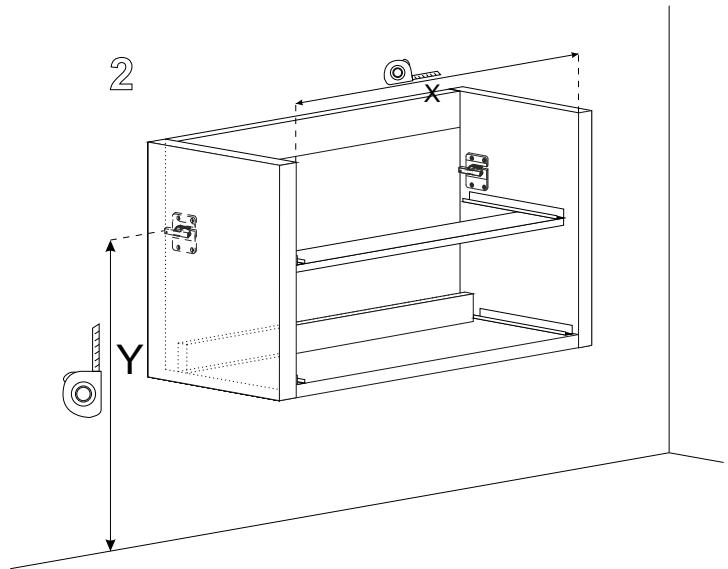


Step 1

Pull out completely the drawers and take off from the slide rails.


Step 2

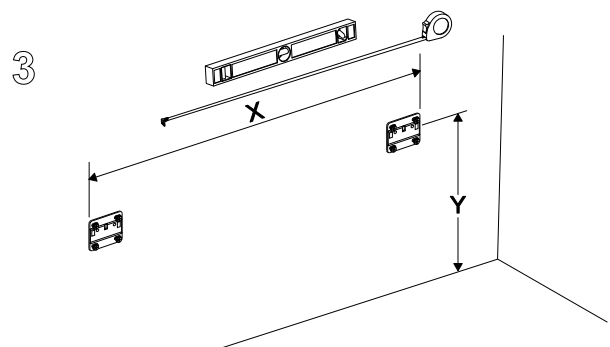
Determine the ideal location of your new vanity. Mark the holes and drill pilot holes in the dry wall.


Step 3

Place the wall brackets on the finished wall and install at the locations drilled with the screws as shown here.

According to measures taken on step 2, make drills with diameter 0,3in. For each wall plate must be made 4 holes. Then insert nylon rawlplug for each drill.

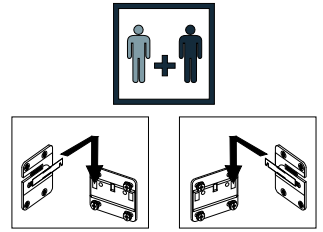
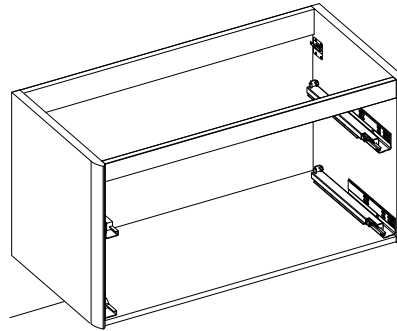
Fix wall plate to wall using screws. After that plates are strongly fixed on wall, you can install vanity on wall.



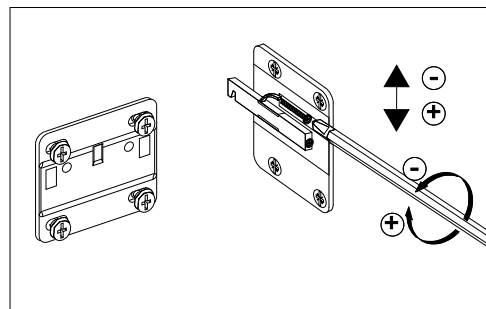
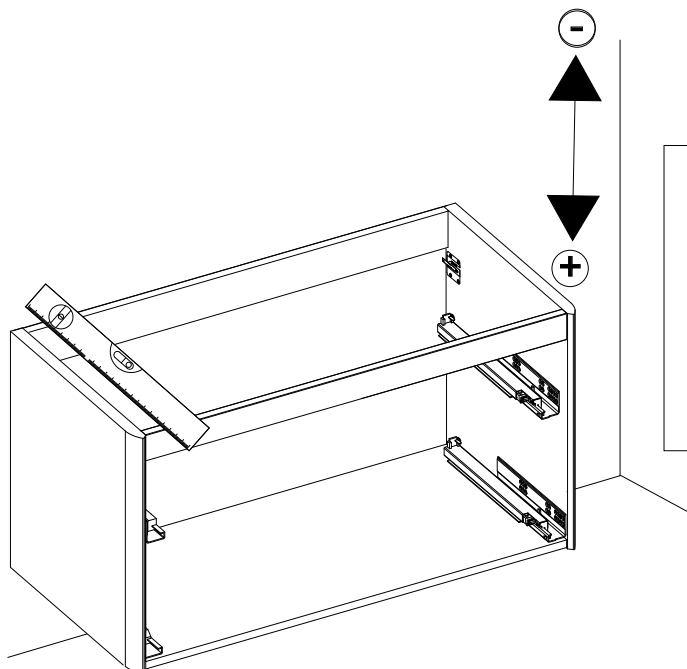
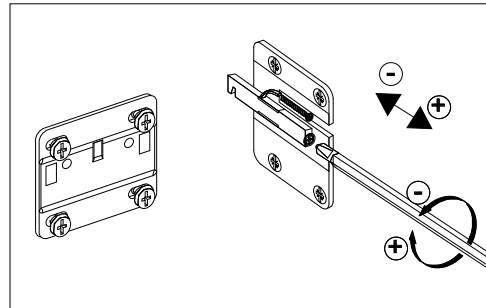
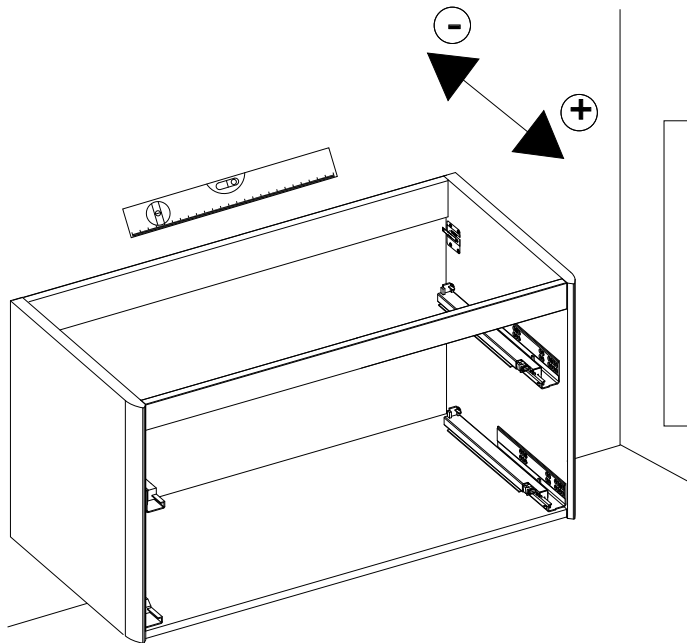
Step 4

It is possible to adjust the vanity using the adjusting screws.

4


Step 5

Fully extend the slide rails out. Place the drawer into the slide rails. To secure drawer, close the drawer until a series of clicks are heard.



Installation notes:

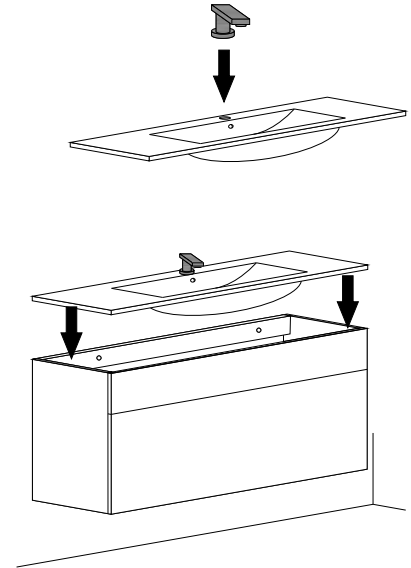
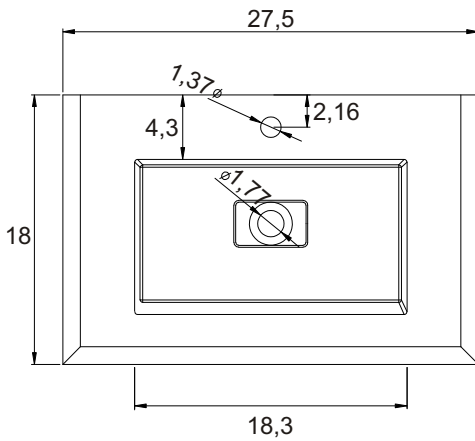
Faucet and silicone are not included.
 All sizes are subject to tolerance.

Sink assembly

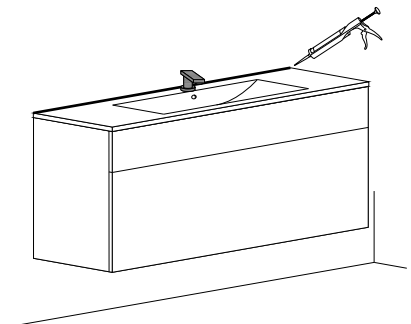
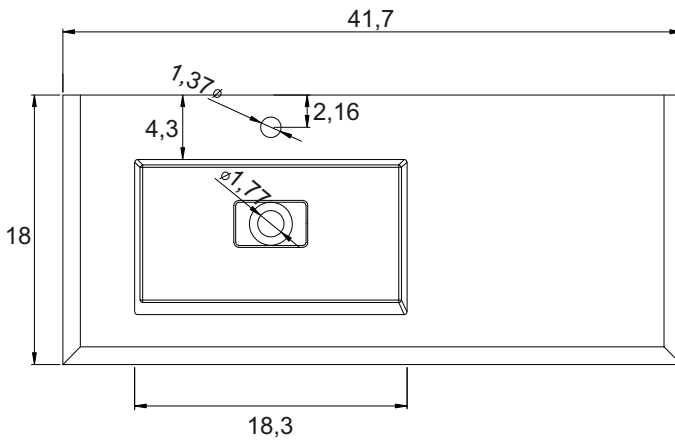
Install the faucet to the top and drains to the sink. Refer to the faucet and drain manufacturer's instructions. Complete the faucet connections. Run water and check for leaks. Apply a bead of silicone behind the top surface to the finished wall.

RESIN BASIN ART. 50212

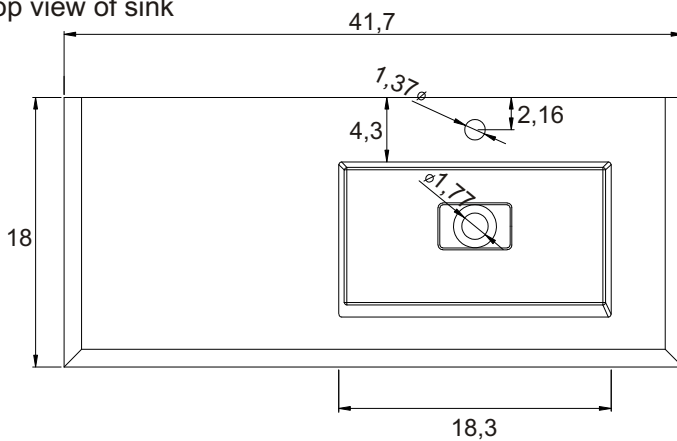
Top view of sink


RESIN BASIN ART. 50213

Top view of sink


RESIN BASIN ART. 50214

Top view of sink



Installation notes:

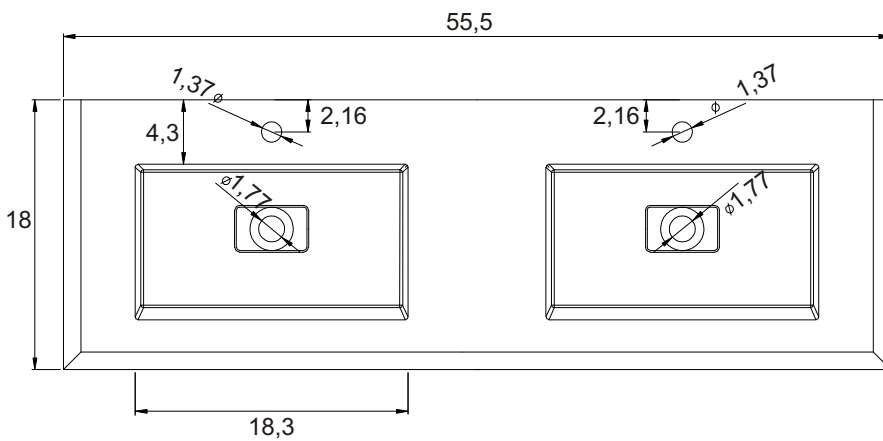
Faucet and silicone are not included.
 All sizes are subject to tolerance.

Sink assembly

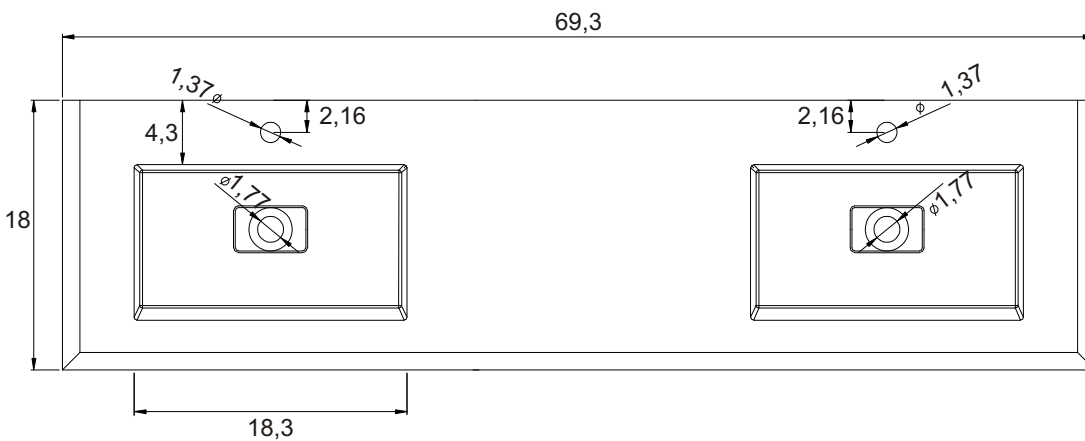
Install the faucet to the top and drains to the sink. Refer to the faucet and drain manufacturer's instructions. Complete the faucet connections. Run water and check for leaks. Apply a bead of silicone behind the top surface to the finished wall.

RESIN BASIN ART. 50215

Top view of sink


RESIN BASIN ART. 50216

Top view of sink



Sink assembly

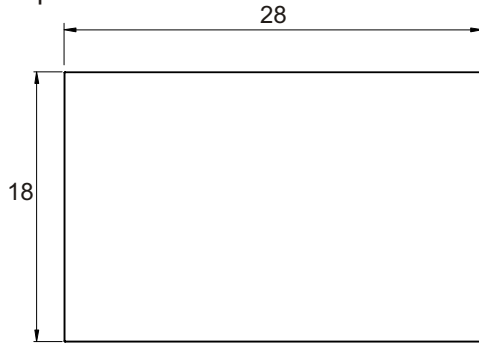
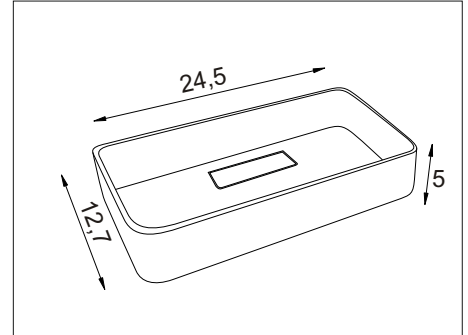
Install the faucet to the top and drains to the sink. Refer to the faucet and drain manufacturer's instructions. Complete the faucet connections. Run water and check for leaks. Apply a bead of silicone behind the top surface to the finished wall.

Installation notes:

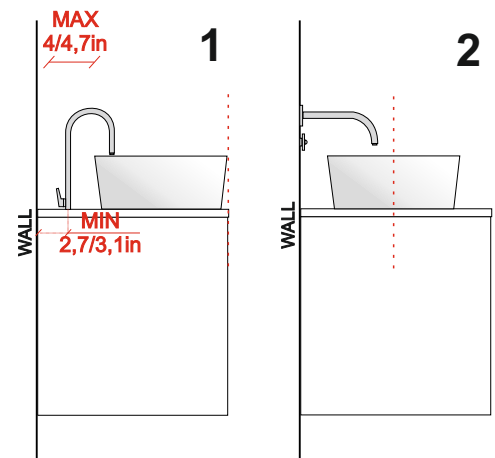
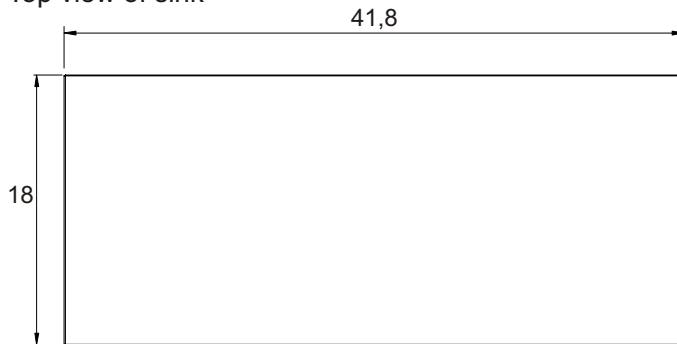
Faucet and silicone are not included. All sizes are subject to tolerance.

SOLID SURFACE TOP ART. 50185

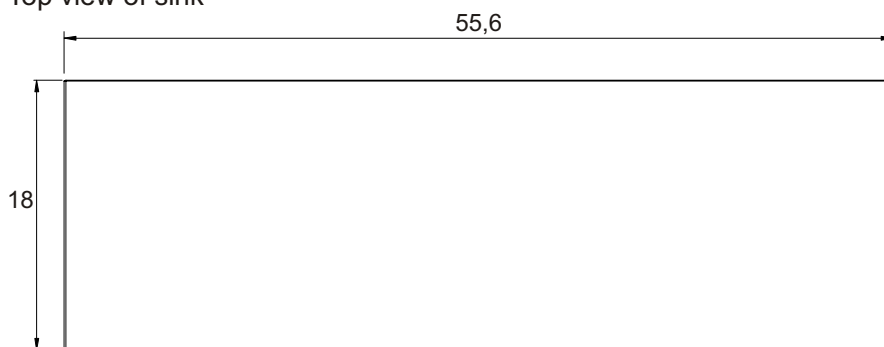
Top view of sink


SOLID SURFACE BASIN ART. 50184

SOLID SURFACE TOP ART. 50186

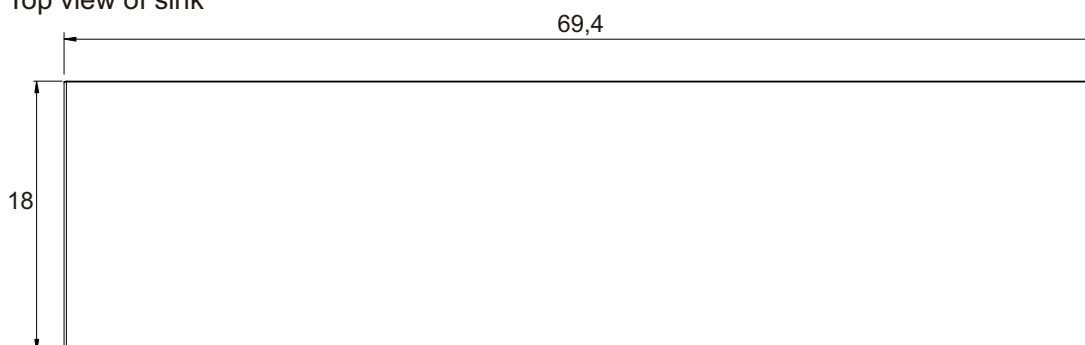
Top view of sink


SOLID SURFACE TOP ART. 50187

Top view of sink


SOLID SURFACE TOP ART. 50188

Top view of sink



Sink assembly

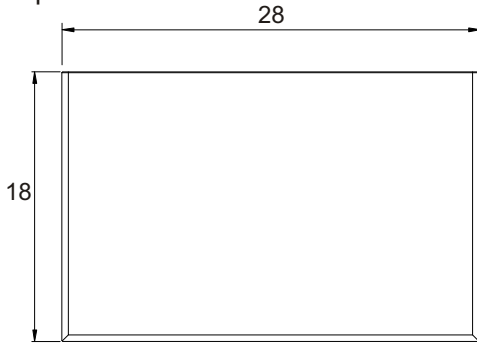
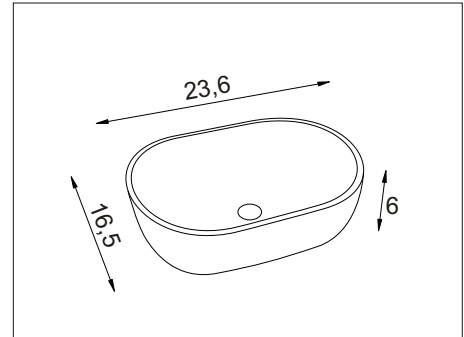
Install the faucet to the top and drains to the sink. Refer to the faucet and drain manufacturer's instructions. Complete the faucet connections. Run water and check for leaks. Apply a bead of silicone behind the top surface to the finished wall.

Installation notes:

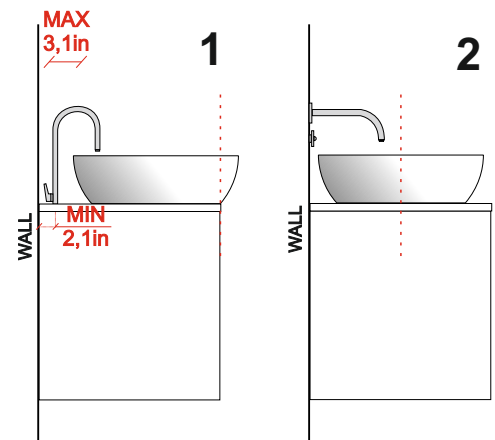
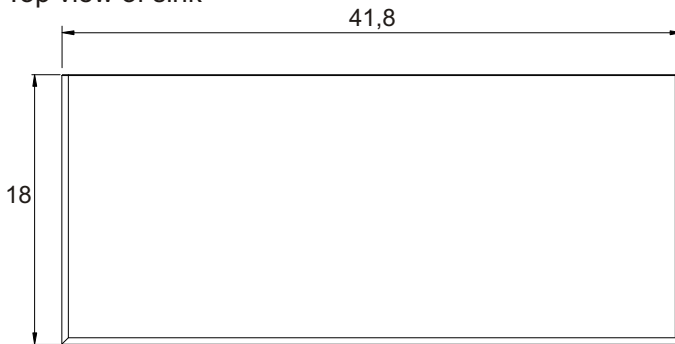
Faucet and silicone are not included. All sizes are subject to tolerance.

WOODEN TOP ART. 50189

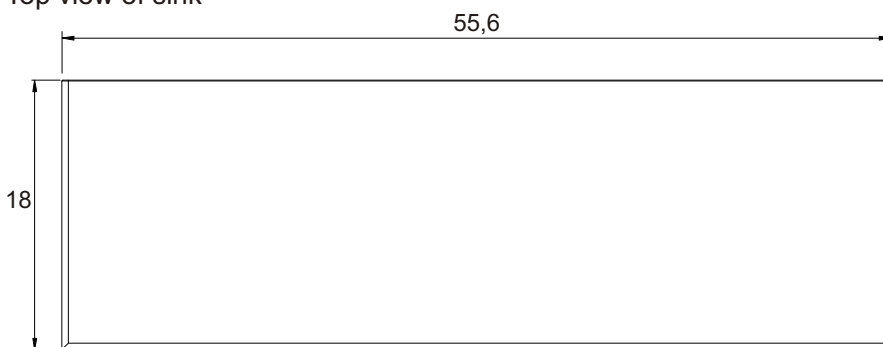
Top view of sink


CERAMIC BASIN ART. 50179

WOODEN TOP ART. 50190

Top view of sink


WOODEN TOP ART. 50191

Top view of sink


WOODEN TOP ART. 50192

Top view of sink

