

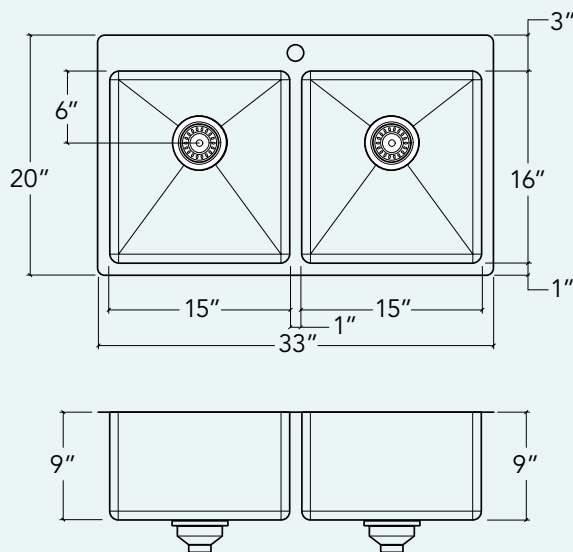
# IH75-TE-33209

ProInox H75

## Stainless steel kitchen sink

### Handcrafted

Contemporary style corners [0,75"]



### Installation

Topmount

### Bowl

L 15" x 16" x 9"

R 15" x 16" x 9"

### Overall

33" x 20" x 9"

### Recommended cabinet

36"

### Drain

Ø 3 1/2"

### Packaging

34" x 21 1/2" x 13"

38 lbs

## Features

- 304 brushed finish stainless steel (18/10) – 18 gauge
- Single faucet hole (additional holes can be drilled at no charge)
- Sound deadening pads for maximum noise reduction
- Drain located towards rear providing more space under the sink
- Stainless steel strainer (AA-SA-3.5-SA) and mounting hardware included
- Product certified ASME A112.19.3, CSA B45.0, and CSA B45.4

## Must-have accessories



### Grid

L IH-G-1516

R IH-G-1516



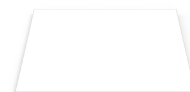
### Colander

IH-CA-16



### Wood cutting board

IH-BA-16-MA



### Plastic cutting board

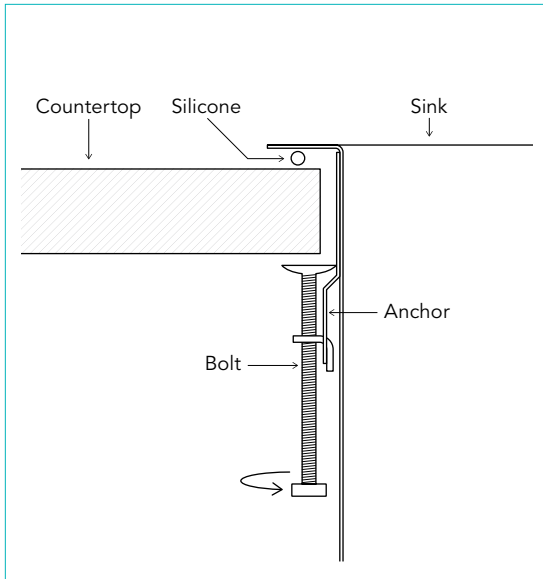
IH-BB-16-WH

## Prolnox H75

---

### Topmount installation

Countertop made of laminate, wood, ceramic tile or other solid surface



### Maintenance

Follow one simple rule to keep your sink in good condition: Clean it regularly.

#### Daily

Clean the sink with a sponge or a soft cloth.

---

Use mild soap (dish soap) or an all-purpose, non-abrasive liquid cleanser that contains no chlorines or acid.

---

Always rinse with warm water and wipe with a dry cloth to prevent calcium buildup.

---

Use a bottom grid to protect the metal from wear and scratches.

#### Precautions

---

Do not scrub the sink with steel wool or scouring pads.

---

Do not use abrasive cleansers or products containing chlorines or acid.

---

Do not use silver polish or grout cleaning products, which can discolor the finish and leave stains.

---

Use a water and vinegar solution to loosen calcium buildup.

---

Mustard, mayonnaise, lemon juice, grease, fat, and other food residue can cause rust and stains if left to sit. Be sure to rinse your sink with plenty of water.

---

Do not place a rubber mat on the bottom of your sink. Food, water, and cleaning products can cling to it and create stains.

---

### Warranty

Prochef offers a LIMITED LIFETIME WARRANTY on the fixed components of its stainless steel sinks. This warranty is limited to defects or damages resulting from a normal residential use. For further details on our product warranty, please refer to our catalog or Website.