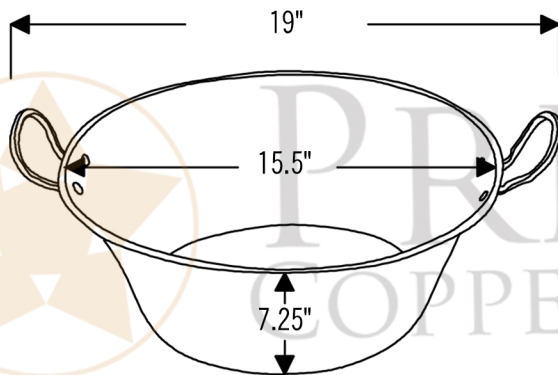
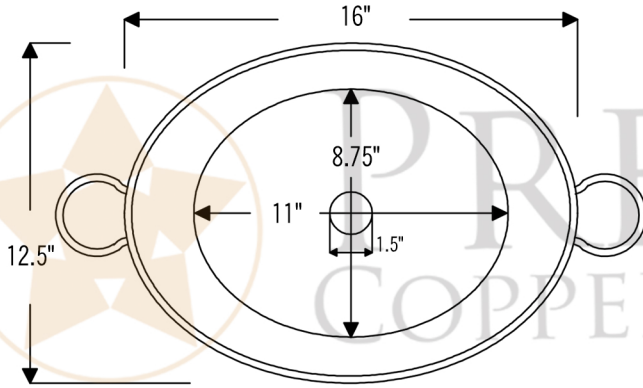




PREMIER
COPPER PRODUCTS

MODEL NUMBER: VOB16EN

- * Description: Oval Bucket Vessel Hammered Copper Sink with Handles in Nickel
- * Outer Dimension: 19" x 12.5" x 7.25" (with handles)
- * Outer Dimension: 16" x 12.5" x 7.25" (without handles)
- * Inner Dimension: 15.5" x 12" x 7.25"
- * Bottom Dimension: 11" x 8.75"
- * Rim: 1/4" Wire Rim
- * Drain Opening: 1.5"
- * Finish: Nickel



THIS PRODUCT IS HAND CRAFTED, SMALL VARIANCES IN COLOR AND SIZE MAY OCCUR.
DO NOT MAKE ANY INSTALLATION CUTS UNTIL YOU RECEIVE YOUR ITEM(S).