

Features

- Solid brass construction
- Euro-motion ceramic disc 35 mm valve cartridge
- Independent rotational and pivoting lever handle elements
- Two-function, toggle-control spray engine with solid brass housing
- Magnetic docking system secures spray engine to spout
- Pivoting-ball spray engine inlet fitting for enhanced directional control
- 7.01" (17.8 cm) spout height at outlet
- 7.47" (19.0 cm) spout reach (c-c)
- ADA Compliant (Handles Only)
- 1.8 GPM (6.8 LPM) Max

Codes / Standards Compliance

Meets or exceeds the following at date of manufacture:

- ASME A112.18.1/CSA B125.1
- IAMPO/cUPC
- NSF/ANSI/CAN 61, SECTION 9
- NSF/ANSI 372
- IPC
- ADA & ICC/ANSI A117.1 (Handle Only)
- Energy Policy Act of 1992
- California Energy Commission
- ASME A112.18.3 (Back Flow)
- All applicable US Federal and State material regulations

Colors / Finishes

- 10B: Oil Rubbed Bronze
- 15: Polished Nickel
- 15S: Satin Nickel - PVD
- 26: Polished Chrome
- Other: Refer to the Newport Brass catalog for additional color/finish options.

Pull-Down Prep Sink / Bar Faucet

1500-5203



Specified Model

| Model | Description | Colors Finishes |
|-----------|----------------------------------|--|
| 1500-5203 | Pull-Down Prep Sink / Bar Faucet | <input type="checkbox"/> 10B <input type="checkbox"/> 15 <input type="checkbox"/> 15S <input type="checkbox"/> 26 <input type="checkbox"/> Other |

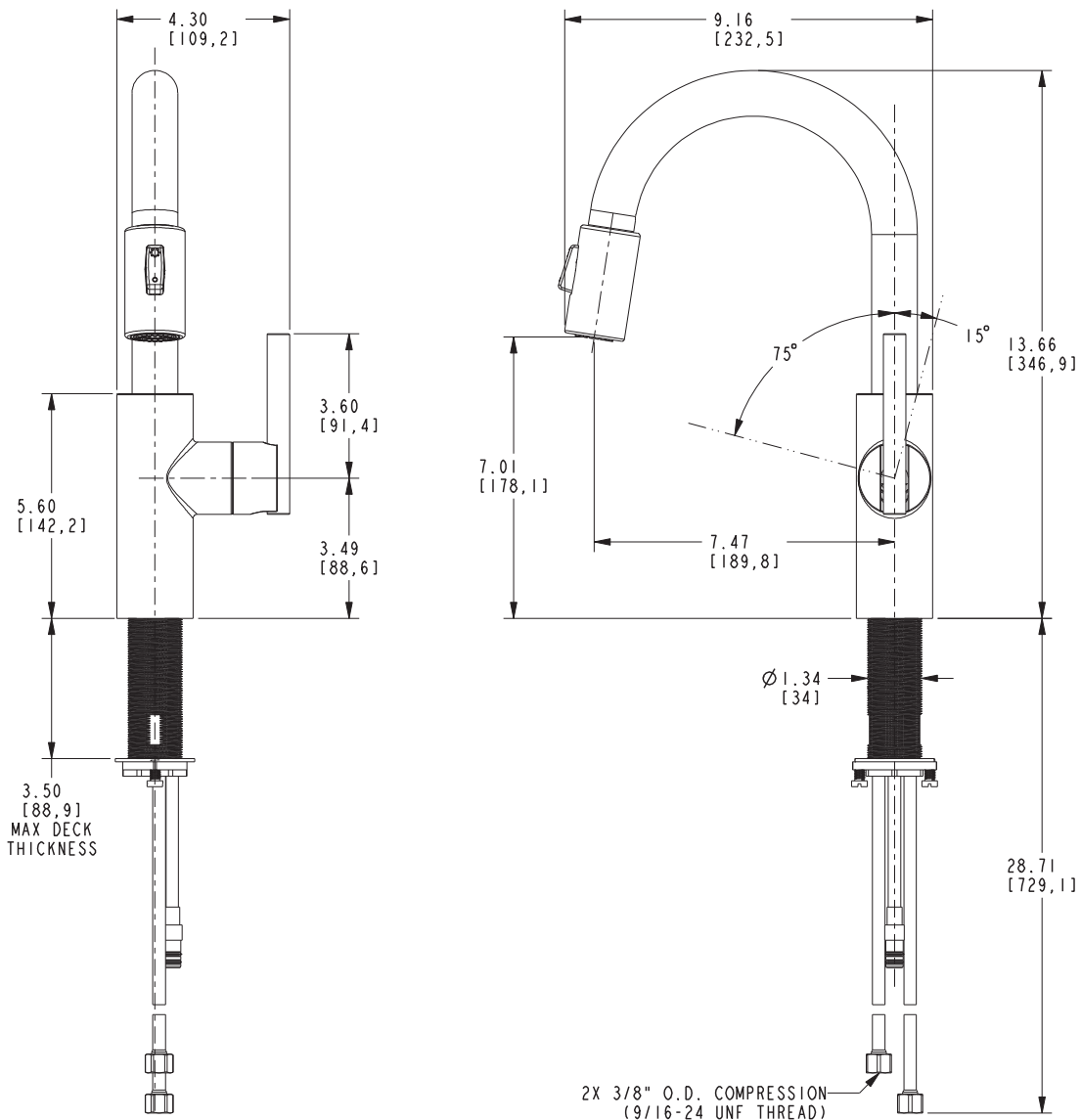
Product Specification Add "Color / Finish" suffix to Model number, below.

The Pull-down Kitchen Faucet shall be made of solid brass construction and incorporate a Euro-motion ceramic disc 35 mm valve cartridge. Faucet shall incorporate a swivel spout assembly with side-mounted lever handle. Lever handle shall feature independent rotational and pivoting handle elements for dynamic stabilization. Faucet shall incorporate a two-function, toggle-control spray engine with solid brass housing and a magnetic docking system securing the spray engine to the spout. Faucet shall feature a pivoting-ball inlet connection to the spray engine for enhanced directional spray control. Product shall incorporate a 7.01" (17.8 cm) spout height at outlet and a 7.47" (19.0 cm) spout reach (c-c). Faucet shall have a 1.8 gallons (6.8 liters) per minute maximum flow rate and accommodate single hole configurations. Pull-down Kitchen Faucet shall be Newport Brass Model 1500-5203/____ .

1500-5203

PRODUCT DIMENSIONS *(Units are in inches)*

Product Dimensions are provided for reference only. For specific product installation guidelines, please reference the Installation Instructions of the product being installed.



East Linear Pull-Down Prep Sink / Bar Faucet
1500-5203

NEWPORT BRASS
Flawless Beauty. From Faucet to Finish.™