

B038

TAXCO

DETAILS

Materials: Brass or Stainless Steel

Installation Type: Drop-In

Standard 1.5" Drain, No Overflow

Each sink is hand-crafted; no two sinks will be the same

NOTE: Due to the handmade nature of the sink, dimensions are approximate and variations in the metal may be visible.

AVAILABLE FINISHES

	UB	Satin Unlacquered Brass
	PB	Polished Unlacquered Brass
	SS	Satin Stainless Steel
	PS	Polished Stainless Steel

AVAILABLE DRAINS

	D004	Grid Strainer
	D005	Lift & Turn
	D006	Pop-up w/ lift rod
	D011 - D017	Decorative Grid Strainers
	D101 - D720	Decorative Drains

INSTALLATION

Drain should be installed first. A conversion kit for drain installation is provided with each sink with 1.5" drain opening. Cuts in countertop are up to the discretion of the installer. Clips or other installation method must be provided by the fabricator / installer. Use silicone adhesive to adhere sink to countertop. Clean any excess silicone from sink surface. Do not install sink using clips. Conversion Kit for drain installation is included with each sink

CARE

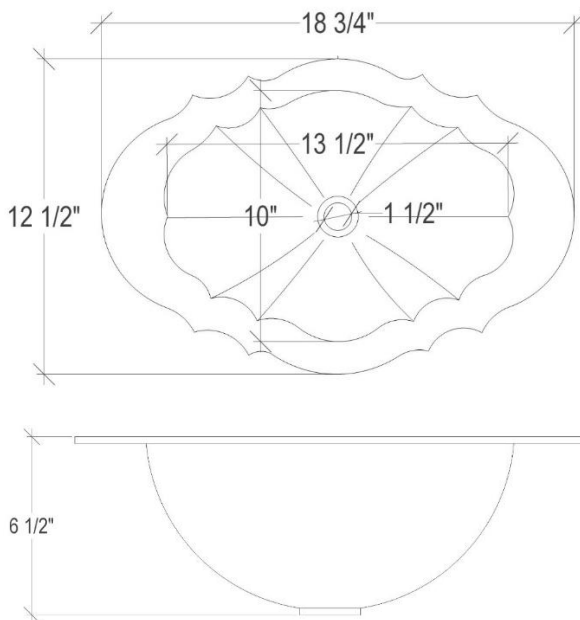
This sink has a living finish which will change with time and use. Use mild soap and water for everyday cleaning. Avoid any harsh abrasives and chemicals, acidic cleaning products, and antibacterial hand soap. A paste wax may be applied periodically to protect the finish and help with water spotting.

WARRANTY

Linkasink warranties our product to be free from manufacturing defect for the life of the product. Warranty does not cover improper care, neglect or abuse or normal wear-and-tear



Shown in SS



DIMENSIONS WILL VARY

DO NOT use this sheet as a guide for countertop cuts. Due to the handmade nature of each product, templates are not provided.