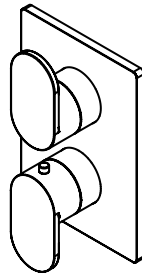


# LACAVA



## FLOU built-in thermostatic valve with 2-way diverter 41TH2.L.S

### Specifications:

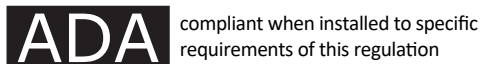
|                             |   |
|-----------------------------|---|
| <b>Installation:</b>        | built-in wall mount   |
| <b>Exterior Dimensions:</b> | W: 5 1/8" H: 7 1/4"   |
| <b>Material:</b>            | solid brass construction with thermostatic cartridge and 180° ceramic cartridge |
| <b>Water use:</b>           | 7 GPM (43.5 PSI)  |
| <b>Finishes:</b>            | CR - polished chrome<br>NI - brushed nickel<br>44 - matte black                 |
| <b>Fittings included:</b>   | rough-in # VTH2 and trim # 41TH2.L.S-A  |

### Features:

- thermostatic valve with 2-way diverter and OFF function (41TH2.L.S)
- rectangular backplate
- lever handles
- 3/4" NPT water IN and 1/2" NPT OUT connections
- anti-scald protection & temperature regulation
- water temperature set to 100°F
- screwdriver service stops
- finished wall must be flush with mudguard as marked
- 1" extension kit available

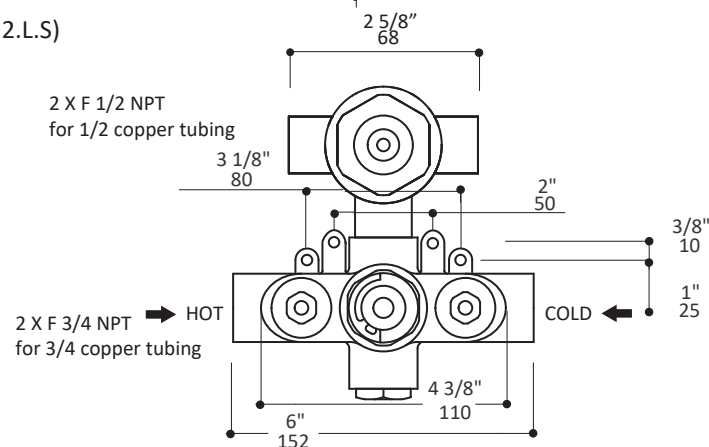
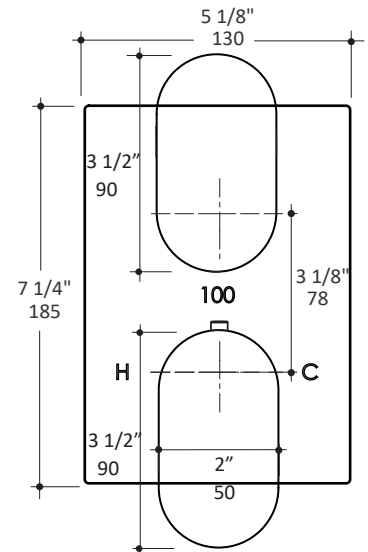
### Codes + Standards:

- Meets and exceeds applicable national codes and standards
- CAL-Green compliant

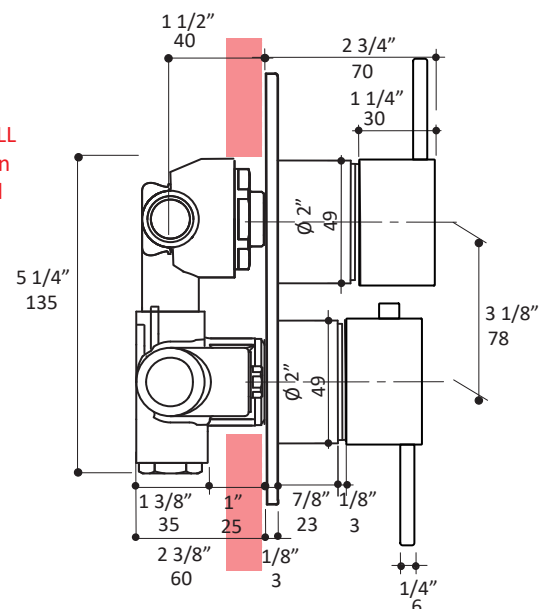


### Recommended Items:

- Replacement parts:
  - VTH2 rough-in with 2-way diverter o
  - 41TH2\_3.L.S-A trim
  - VTH1-CT thermostatic cartridge
  - VTH2-C diverter ceramic cartridge with 2-way out
  - VTH2-EX 1" extension kit



FINISHED WALL must be within the mudguard limits



LACAVA reserves the right to revise any dimension or information on this sheet without notice. Dimensions are nominal and may vary within an industry accepted tolerance of 1/4". Drawings provided herein are meant to give the user an idea of the product and are not made to scale. Location of plumbing is meant for reference, your specific application may vary. Revised: 10/02/2019