

Features

- Two-handle centerset faucet for 4-inch centers.
- Two lever handles offer separate control of hot and cold water.
- Spout swivels to allow for unobstructed use of the sink.
- Ceramic disc valves exceed industry longevity standards, ensuring durable performance for life.
- Constructed of premium materials for durability and reliability.
- KOHLER finishes resist tarnishing and corrosion.
- 1.2 gpm (gallons per minute) maximum flow rate.

Installation

- Simplified faucet assembly; mounting hardware requires no special tools.

Water Conservation & Rebates

- WaterSense®-labeled faucets use at least 30 percent less water than standard 2.2-gpm faucets while still meeting strict performance guidelines.



ADA CSA B651 OBC

Codes/Standards

ASME A112.18.1/CSA B125.1
NSF/ANSI 61
NSF/ANSI 372
All applicable US Federal and State material regulations
DOE - Energy Policy Act 1992
EPA WaterSense®
California Energy Commission (CEC)
ADA
ICC/ANSI A117.1
CSA B651
OBC



KOHLER® One-Year Limited Warranty

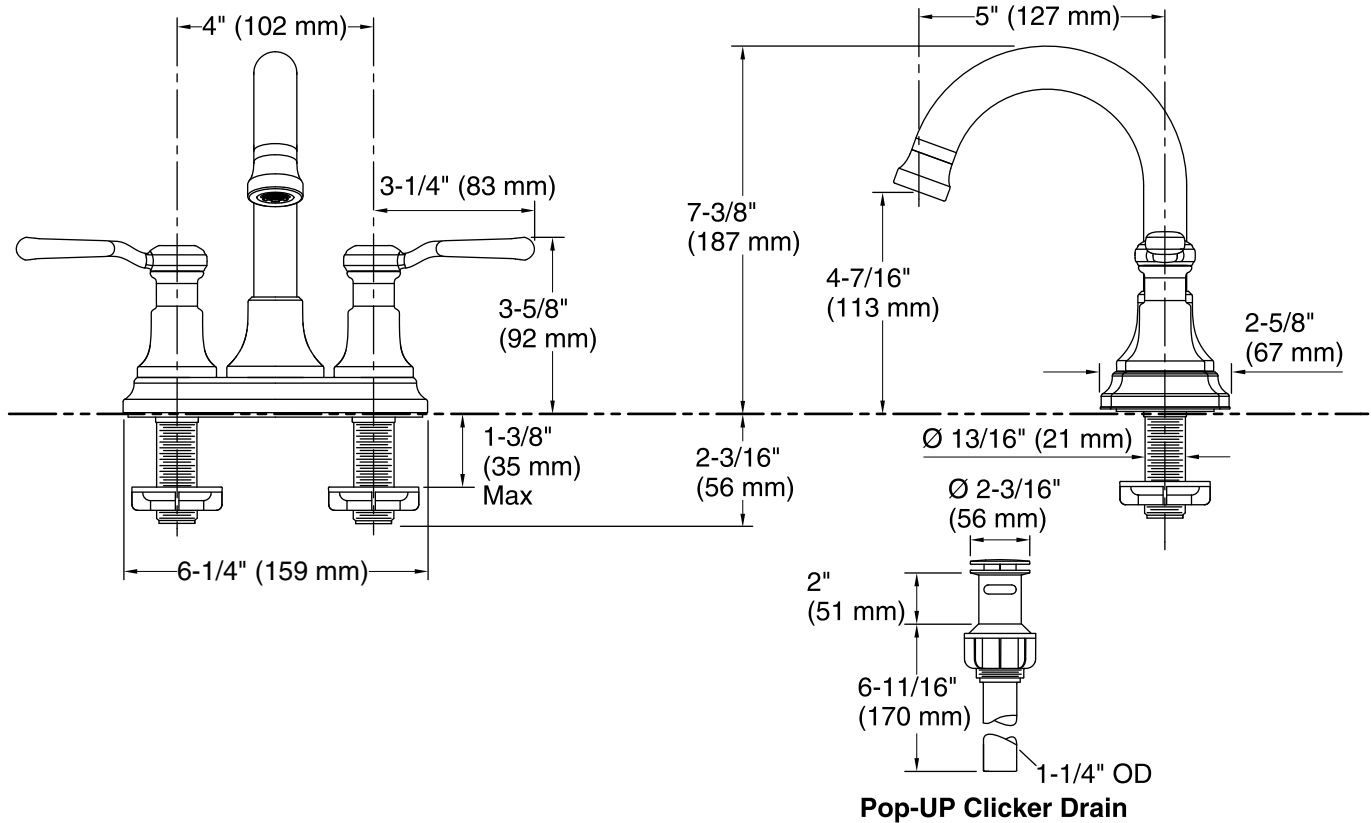
See website for detailed warranty information.

Available Colors/Finishes

Color tiles intended for reference only.

Color	Code	Description
-------	------	-------------

	BN	Vibrant® Brushed Nickel
	2BZ	Oil-Rubbed Bronze



Technical Information

All product dimensions are nominal.

Faucet:

Flow rate: 1.2 gal/min (4.5 l/min)

Pressure: 45 psi (3.1 bar)

Spout:

Spout reach: 5" (127 mm)

Handle clearance: 3-1/4" (83 mm)

Notes

Install this product according to the installation guide.

ADA, OBC, CSA B651 compliant when installed to the specific requirements of these regulations.