

Features

- 63-9/16" (1614 mm) high, with 57-1/2" (1460 mm) minimum head clearance.
- Frameless design emphasizes glass and creates a sleek, minimalist look.
- Double header conceals wheels and door tracking system while allowing glass panels to rise above the header, giving the door a lofted and airy look.
- Stays Closed feature inside the header keeps door firmly closed, providing excellent water containment.
- Smooth, easy-to-clean wall jambs.
- 16" vertical handles.
- CleanCoat®+ technology creates a protective barrier that repels water, prevents dirt and minerals from collecting, and makes it easier to remove hard water spots.
- Innovative roller design simplifies installation and provides out-of-plumb adjustability while glass is installed.

Material

- Frameless, 5/16" (8mm) thick Crystal Clear tempered glass.
- Anodized aluminum prevents rust and corrosion.

Installation

- Fits opening widths 54-5/8" – 59-5/8" (1387 – 1514 mm).
- Out-of-plumb adjustability simplifies installation.
- Door can be installed to open to the left or right to suit your bathroom layout.
- Not for use in hospitality.
- For residential use only.

Included Components

Additional Components:
Hardware kit



Codes/Standards

ANSI Z97.1
CPSC 16CFR 1201

KOHLER® One-Year Limited Warranty

See website for detailed warranty information.

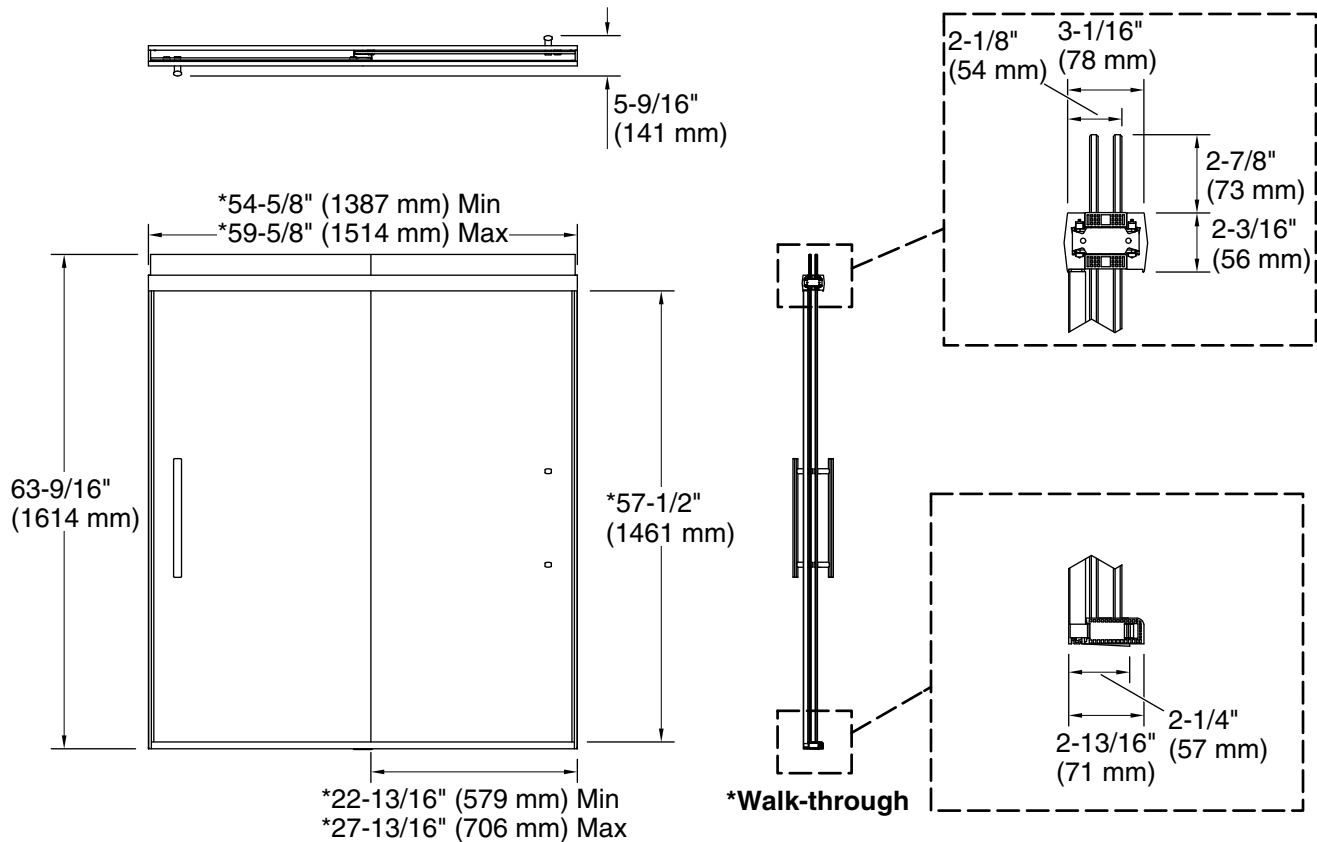
Available Colors/Finishes

Color tiles intended for reference only.

Color	Code	Description
	SHP	Bright Polished Silver
	BL	Matte Black
	BNK	Anodized Brushed Nickel

Available Glass Options

Code	Description
L	Crystal Clear



Technical Information

All product dimensions are nominal.

Installation type:	For bath installation
Opening Width - Min:	54-5/8" (1387 mm)
Opening Width - Max:	59-5/8" (1514 mm)
Walk-through - Min:	22-13/16" (579 mm)
Walk-through - Max:	27-13/16" (706 mm)
Base-To-Wall Radius - Max:	1/4" (6 mm)
Glass thickness:	5/16" (8 mm)
Glass coating:	CleanCoat®

Notes

Install this product according to the installation instructions.

If replacing a shower door, the narrow wall jamb design of this door may not cover the existing shower door holes.

This product can only be installed with a corner radius between the shower wall and the shower/bath ledge of 1/4" (6 mm) or less.

The vertical opening should be a minimum of 65-1/2" (1664 mm) to allow for installation clearance.