



# Components™

## Eight-light LED chandelier K-23459-CHLED

### Features

- A perfect complement to our Components suite of products.
- Suitable for living, dining, and kitchen spaces, allowing you to create a cohesive design aesthetic throughout your home.
- Dimmable, integrated LED emits a beautiful light at the perfect color temperature.
- Downrods offer additional height options.

### Material

- Manufactured with quality materials and complimented with a meticulous finishing process.
- Durable finishes engineered to last and designed to match KOHLER faucet finishes.

### Included Components

Additional Components:  
Hardware kit



### Codes/Standards

UL 1598  
CSA C22.2 No. 250  
CA Title 24 JA8

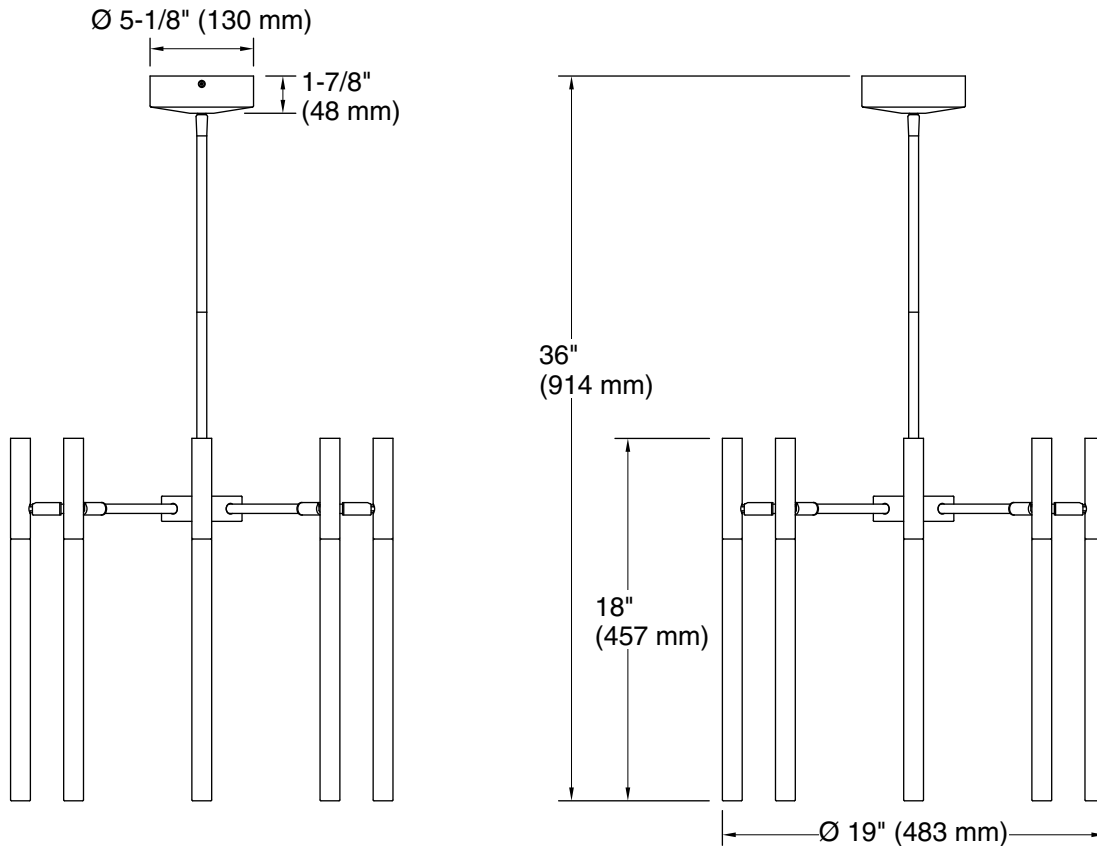
### KOHLER® Lighting Limited Warranty

See website for detailed warranty information.

### Available Colors/Finishes

*Color tiles intended for reference only.*

Color	Code	Description
	SNL	Polished Nickel
	BGL	Moderne Brushed Gold
	CPL	Polished Chrome
	BLL	Matte Black



### Required Electrical Service

One circuit required.

Lights: 120 V, 60 Hz

### Technical Information

All product dimensions are nominal.

Material: Steel, Aluminum, Glass

Lighting Type: Integrated LED

Number of Shades: 8

Shade Type: Glass - frosted

Electrical component rating: LED: 60 Hz, 60 W, 4000 Lumens, 3000K