

**Features**

- Brass construction
- Front seal plate assembly
- Handle assembly

**THERMOSTATIC FAUCET TRIM**

**K-T8982**

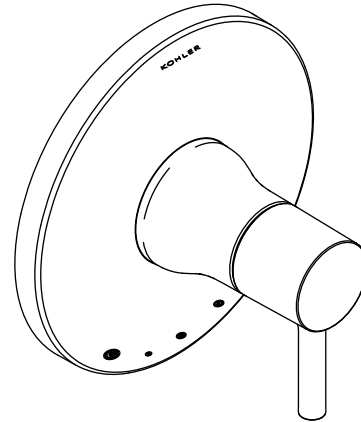
ALSO K-T8983, K-T8984

ADA

**Codes/Standards Applicable**

Specified model meets or exceeds the following:

- ADA
- ICC/ANSI A117.1
- ASME A112.18.1/CSA B125.1
- ASSE 1016



**Colors/Finishes**

- CP: Polished Chrome
- Other: Refer to Price Book for additional colors/finishes

**Accessories**

- NA: None applicable

**Specified Model**

Model	Description	Colors/Finishes	
K-T8982-4	Thermostatic valve trim (shown)	<input type="checkbox"/> CP	<input type="checkbox"/> Other ____
K-T8983-4	Volume control trim	<input type="checkbox"/> CP	<input type="checkbox"/> Other ____
K-T8984-4	Transfer valve trim	<input type="checkbox"/> CP	<input type="checkbox"/> Other ____

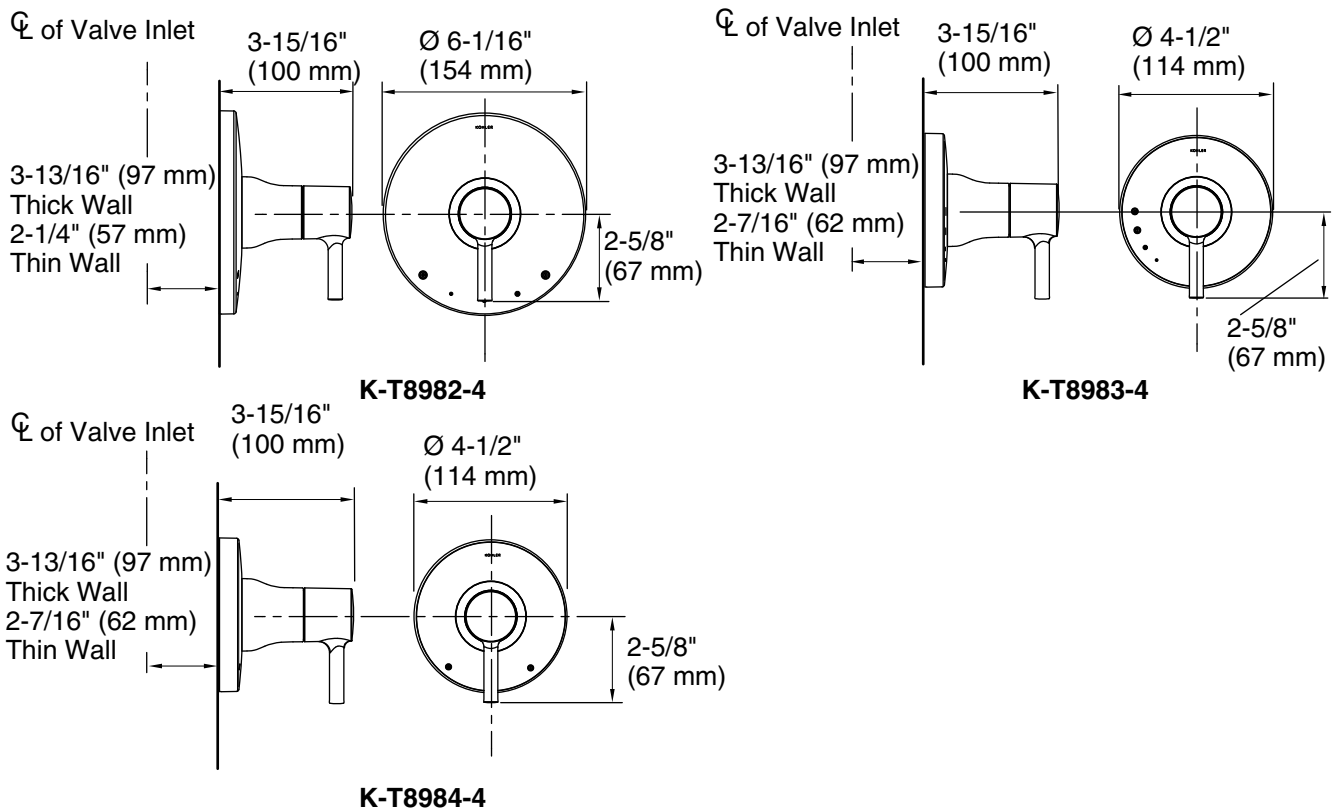
Required Accessories			
K-2972-KS (replaces K-679-KS)	1/2" Thermostatic valve		<input type="checkbox"/> NA
K-2974-K (replaces K-681-K)	1/2" Volume control		<input type="checkbox"/> NA
K-2975-KS (replaces K-669-KS)	3/4" Thermostatic valve		<input type="checkbox"/> NA
K-2977-K (replaces K-671-K)	3/4" Volume control		<input type="checkbox"/> NA
K-728-K	3/4" Transfer valve		<input type="checkbox"/> NA
K-737-K	3/4" Diverter valve		<input type="checkbox"/> NA

**Product Specification**

Thermostatic faucet trim shall be made of brass construction. Trim shall include front seal plate assembly and handle assembly. Faucet trim shall be Kohler Model K-T\_\_\_\_-4-\_\_\_\_ and thermostatic valving shall be K-\_\_\_\_-\_\_\_\_-NA.

## Installation Notes

Install this product according to the installation guide.



## Product Diagram