

Polished Chrome finish (99)



Champagne Bronze finish(30)



## CIRCO KNURLED COLLECTION TOWEL RING 366460

**PRODUCT NAME:** TOWEL RING

**PRODUCT CODE:** 366460

**MATERIAL:** All-brass construction

**KEY FEATURES:** Contemporary tubular design with subtle knurling.

**STOCKED FINISHES:**

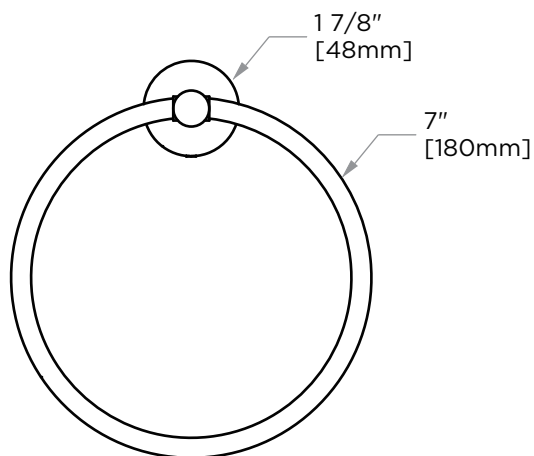
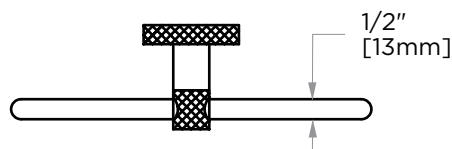
- Polished Chrome (99)
- Brushed Nickel (81)
- Polished Nickel (68)
- Matte Black (48)
- Champagne Bronze (30)
- Prosecco Bronze (35)

**SPECIAL FINISHES AVAILABLE:**

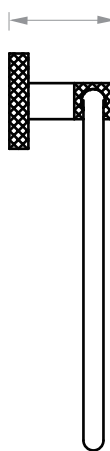
26 options available. Please see our website for full list samples

**WARRANTY:**

Lifetime Limited (Residential Use)  
One Year (Commercial Use)



2 1/8" [53mm]



NOTE: Dimensions and specifications are subject to change without notice.