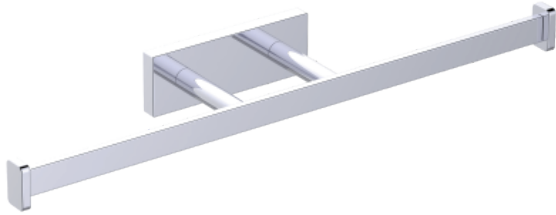


**MILAN COLLECTION**  
**DOUBLE TISSUE**  
**HOLDER**  
254155



**PRODUCT NAME:** DOUBLE TISSUE HOLDER

**PRODUCT CODE:** 254155

**MATERIAL:** All-brass construction

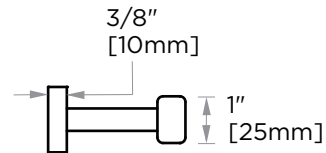
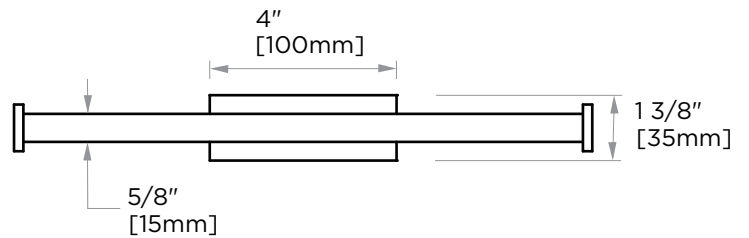
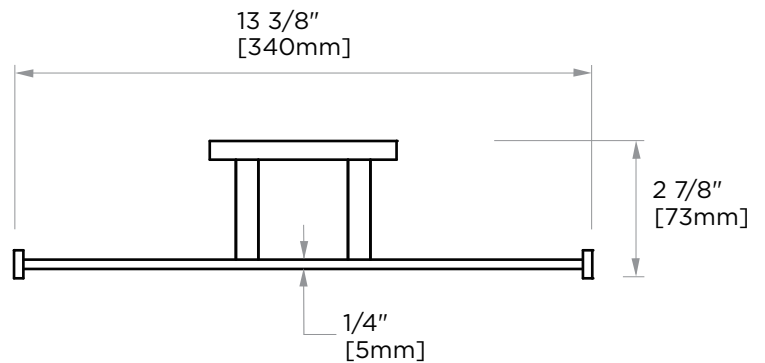
**KEY FEATURES:** Contemporary design. Clean linear statement combined with engineered curves.

**STOCKED FINISHES:**

- Polished Chrome (99)
- Brushed Nickel (81)

**SPECIAL FINISHES AVAILABLE:** 26 options available. Please see our website for full list samples

**WARRANTY:**  
Lifetime Limited (Residential Use)  
One Year (Commercial Use)



NOTE: Dimensions and specifications are subject to change without notice.