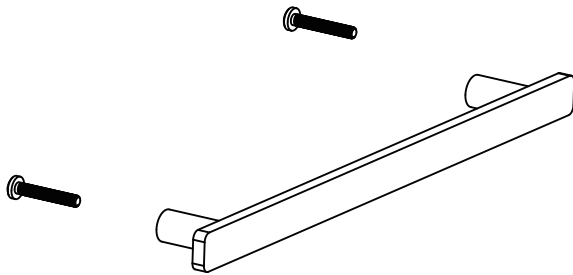
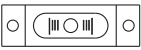
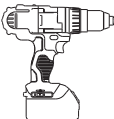





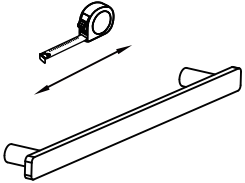
### MILAN COLLECTION APPLIANCE PULL

- 12" 254912
- 18" 254918
- 24" 254924
- 30" 254930

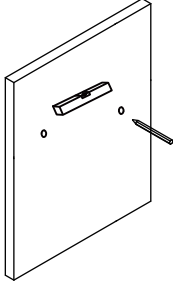


Tools required for installation

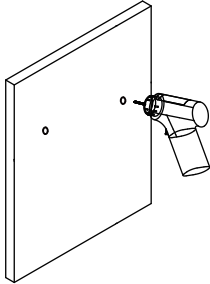
 Level	 Drill	 Pencil
 Screwdriver		 Hammer



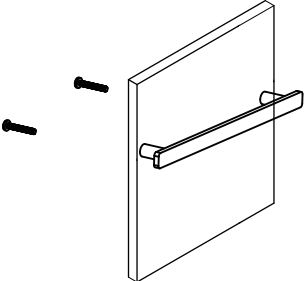
**Step 1**  
Measure the Center to Center distance of pull with tape.



**Step 2**  
Mark the holes position with pencil, make sure the holes are level.



**Step 3**  
Drill holes on the board.



**Step 4**  
Fix the screws onto pull and tighten it.