

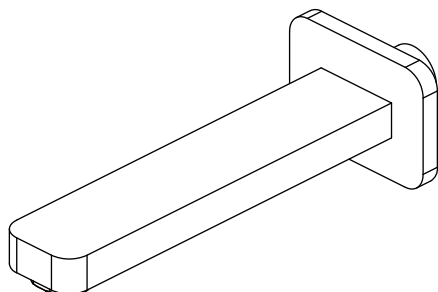
196.2300 | Tub Spout / Filler

SPECIFICATIONS:

- Solid Brass Construction
- 1/2" Female NPT Connection

STANDARDS:

- ASME A112.18.1 / CSA B125.1



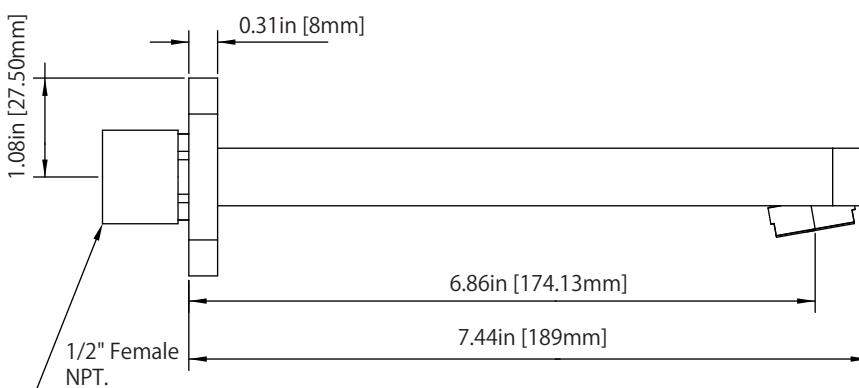
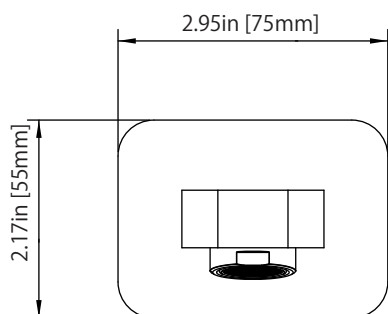
Legislation Compliance



ZeroDrip Technology



Technical Diagram



Male / Female extension available in 1" Increments.

