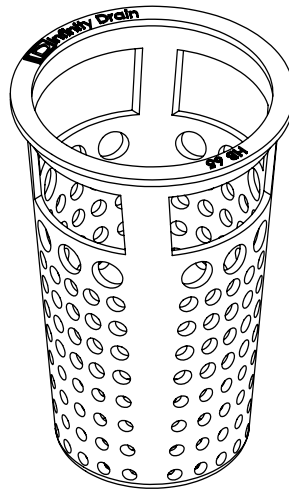
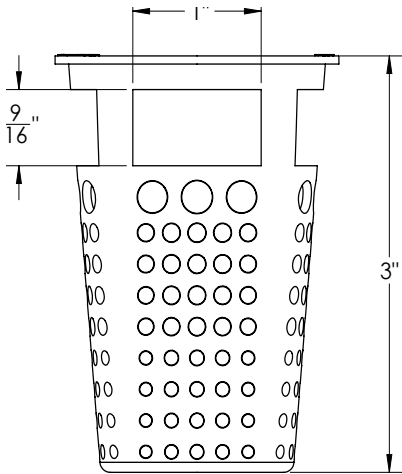
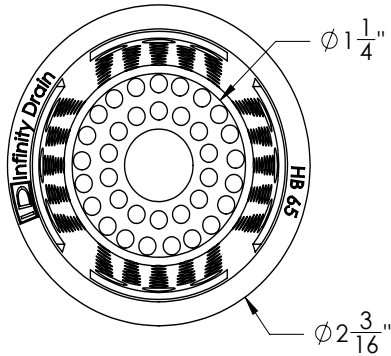


# HB 65 Specifications



## HB 65:

- 2" ABS hair basket

## Compatible with the following models:

### Site Sizable Series

- S-AG 65 / S-LAG 65
- S-AG 100
- S-AS 65
- S-DG 65
- S-LT 65
- S-TIF 65/S-LTIFAS 65
- S-TIFAS 65/S-LTIFAS 65

### Fixed Length Series

- FXAS 65
- FXTIF 65/FXLTIF
- FXIG 65
- FXSG 65

### Flange Drain Models

- FFAS 25/FCSAS 25/FCBAS 25
- FFAS 65/FCSAS 65/FCBAS 65
- FFTIF 65/FCSTIF 65/FCBTIF 65
- FFIG 65/FCSIG 65/FCBIG 65
- FFSG 65/FCSSG 65/FCBSG 65
- FFST/FCSST/FCBST

## Note:

- HB 65B ( B denotes black ABS, standard is grey)

**Infinity Drain**  
145 Dixon Avenue  
Amityville, NY 11701  
Phone: 516.767.6786  
Fax: 516.740.3066  
www.infinitydrain.com



NOTE: Installer must verify all rough-in dimensions prior to installation and consult local and national codes. Conformity and compliance to local and national codes are the responsibility of the installer.