

NOUVEAU

Console Lavatory

5010.082 Lavatory, 5010.631 Metal Stand

Product Features

- Vitreous china console lavatory with overflow
- 8" (20.3cm) faucet centers (-8)
- MicroGlaze™ anti-microbial, stain-resistant glaze

Stand Features

- Stainless steel metal base stand
- PVD-coated surface, for corrosion resistance
- Multiple finish options available

Accessories Included

- Installation bolts
- Note: faucetry is not included

Quality Assurance

- Limited lifetime product warranty



PRODUCT OPTIONS & PARTS

Glaze Color Options



White .01



Balsa .06



Black .05

Metal Stand Finish Options



Polished
Chrome
.500



Polished
Nickel
.502

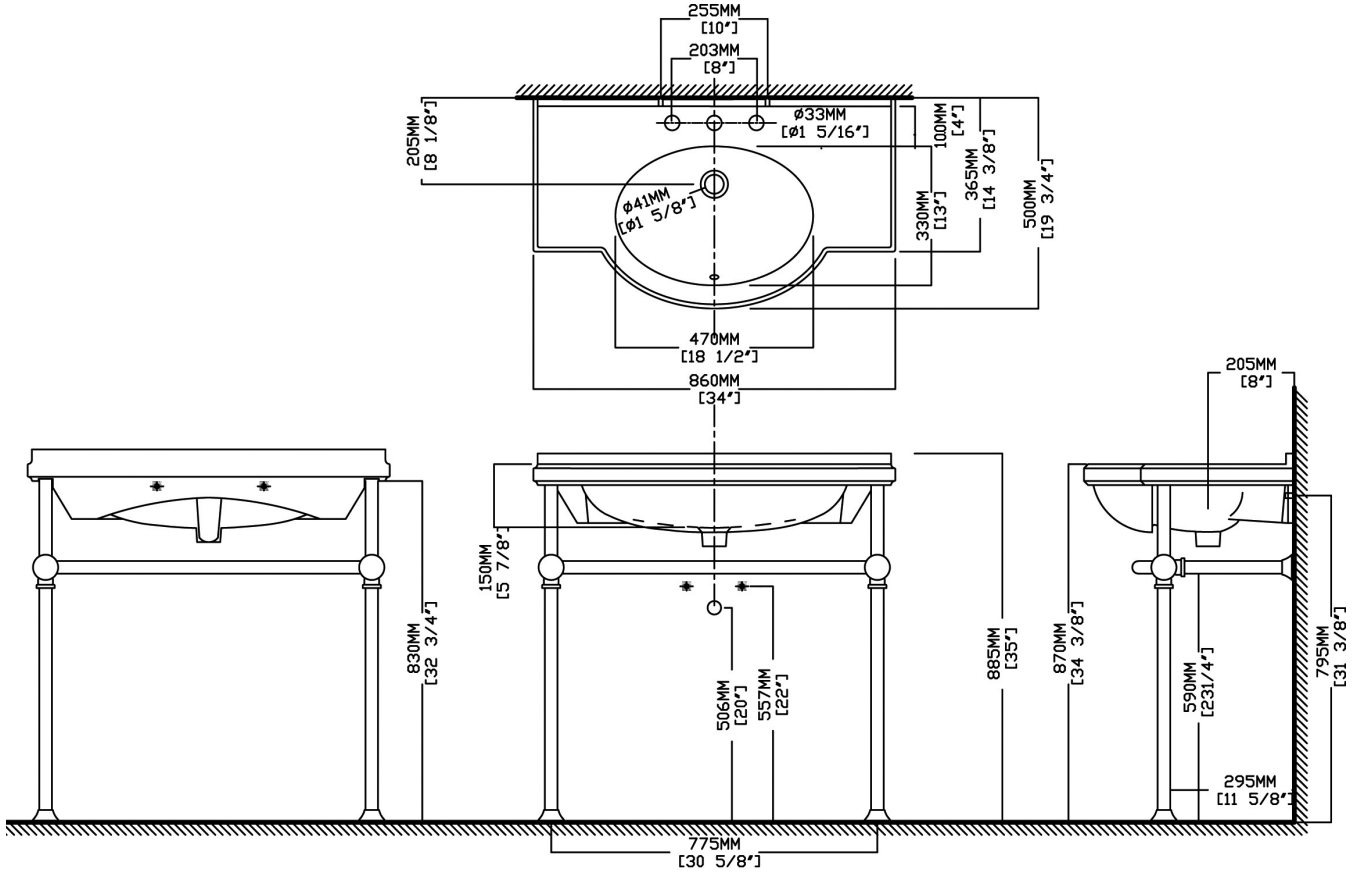


Satin
Nickel
.503



Polished
Brass
.504

Dimensional Diagram



IMPORTANT: Dimensions are nominal and may vary within the range of tolerance per NSI Standard A112.19.2. These measurements are subject to change. No responsibility is assumed for use of superseded or voided pages.

Compliance Certifications

- ASME A112.19.2M
- CSA B45.1