

HAMILTON SINKLER

DB301 Revival Classic Cylinder Set Deadbolt Set

Standard Finishes:

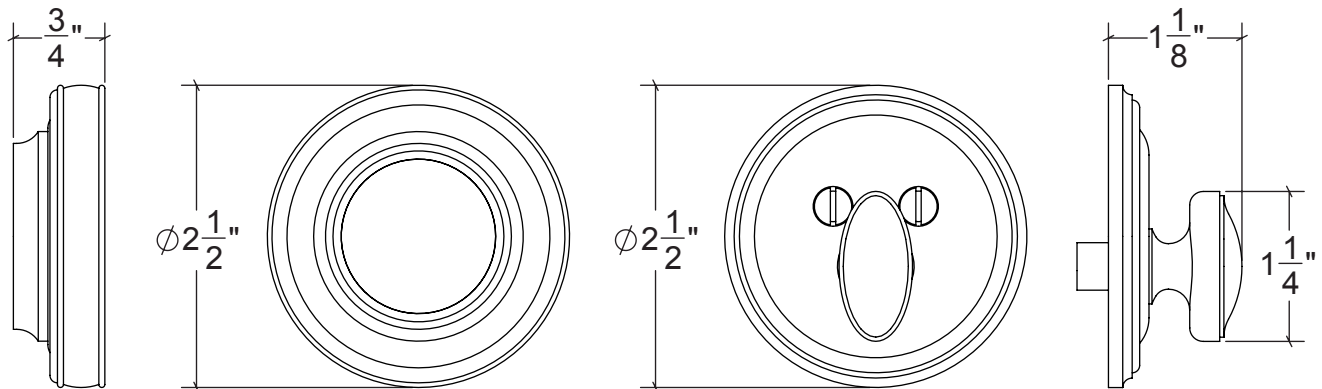
- Bright Antique Brass
- Brushed Nickel
- Oil Rubbed Bronze
- Polished Chrome
- Polished Nickel
- Polished Brass Unlacquered

Special Order Finish:

- Satin Brass

Base Material:

Solid Brass



Works with door thickness 1-3/4" to 2-1/4"
Works with 2-1/8" bore face