

**C Accessories**

**Hook**

Finishes : **brushed nickel**    Part no. : **06099820**



**Description**

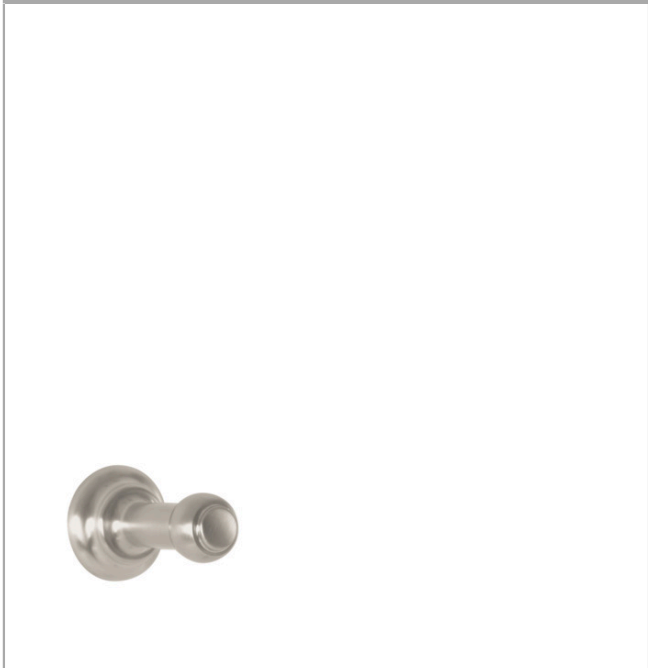
**Features**

- Brass
- Wall-mounted
- Metal holder

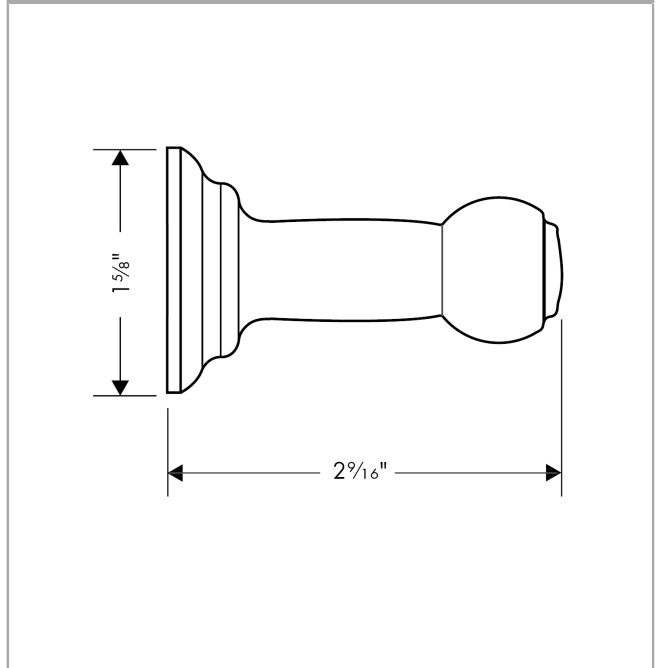
**Item details**

List Price \$ 76.00

**Product image**



**Scale drawing**



**C Accessories**

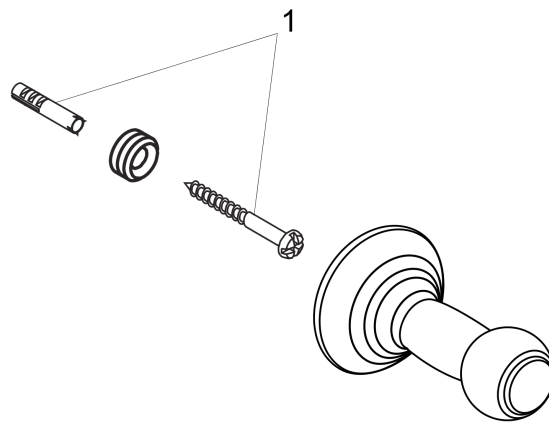
**Hook**

Finishes : **brushed nickel**    Part no. : **06099820**



**Exploded drawing**

Year of production: >01/04



**C Accessories**

**Hook**

Finishes : **brushed nickel**    Part no. : **06099820**



**Spare parts list**

Year of production: >01/04

Pos.	Description	Part no.	Price	PU
1	mounting set	40915000	-	1