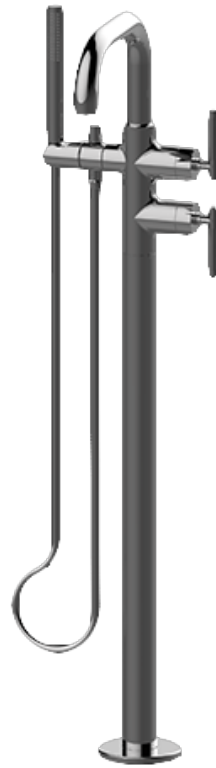


BATHROOM  
Harley Floor-Mounted Tub Filler  
**G-11454-LM57B**

---

**GRAFF**<sup>®</sup>

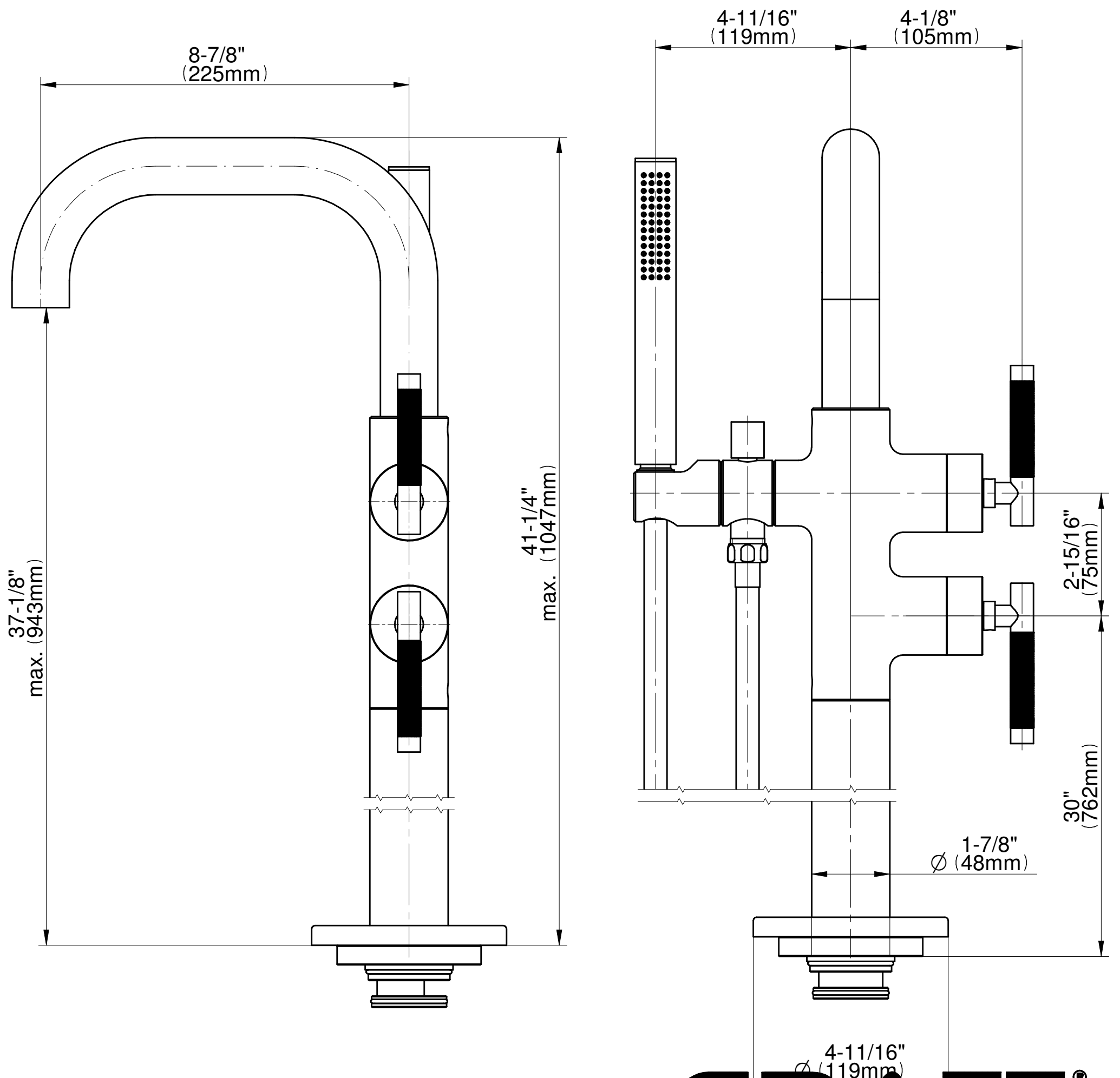


## Information

- Floor-mount installation
- Aerated spout flow rate ~7 gpm @ 45 psi
- Handshower flow rate  $\leq 1.5$  max gpm
- 8-7/8" spout reach
- 38-1/16"-41-1/4" approximate height
- Includes handshower with 59" spiral flexible hose (PVD finishes use 59" flex hose)
- Optional in-line pressure balancing valve
- ADA

# G-11454-LM57B-T

## Harley Series





**Finishes**



24K Gold



24K Brushed Gold



24K Brushed Gold with Onyx PVD Accents



Brushed Brass PVD



Architectural Black™



Brushed Nickel



Brushed Onyx PVD®



Gunmetal



Matte Black



Olive Bronze



Onyx PVD®



Polished Brass PVD



Polished Chrome



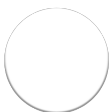
Polished Chrome with Onyx PVD Accents



Polished Nickel



Polished Nickel with Onyx PVD Accents



Architectural White

# G-1045

## Spout Connection Rough



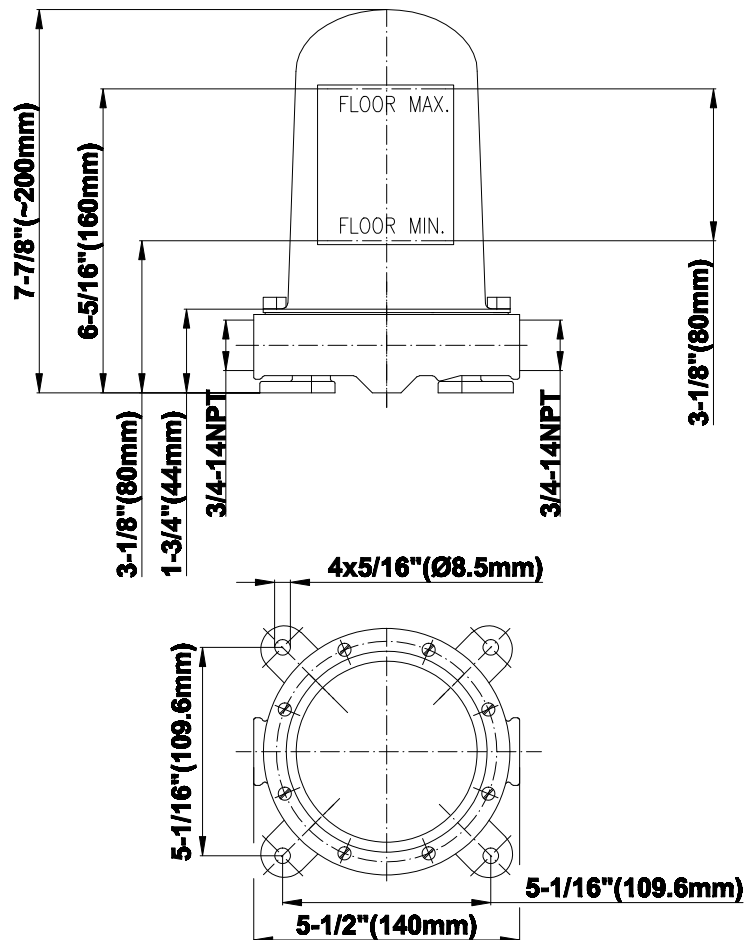
### Product Features

- Mud guard displays minimum and maximum floor depth
- Rough can be installed in any orientation making it convenient to route pipes to the rough
- Trim can be rotated 360 degrees in any directions
- Averages 10 GPM with most trim

### Warranty

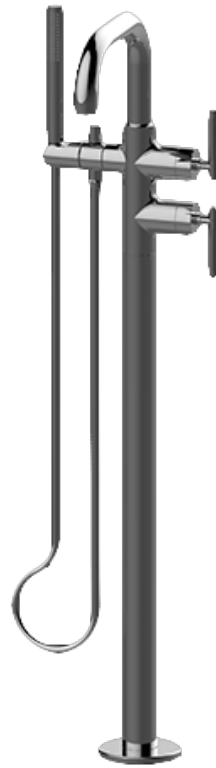
- Limited lifetime warranty

For complete warranty information go to <http://www.graff-faucets.com/en/info/faqs>



The measurements shown are for reference only. Products and specifications shown are subject to change without notice. Revised 07/2017.

[www.graff-faucets.com](http://www.graff-faucets.com) | phone: 800-954-4723

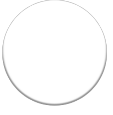


**Information**

- Floor-mount installation
- Aerated spout flow rate ~7 gpm @ 45 psi
- Handshower flow rate ≤1.5 max gpm
- 8-7/8" spout reach
- 38-1/16"-41-1/4" approximate height
- Includes handshower with 59" spiral flexible hose (PVD finishes use 59" flex hose)
- Optional in-line pressure balancing valve
- ADA

**Finishes**





Architectural  
White

# G-11454-LM57B-T

## Harley Series

