

Features

- Solid brass escutcheons
- Complements Kubic product series
- Intended for use with Ginger hotel shelf frame as specified (Required Accessory)

Codes / Standards Compliance

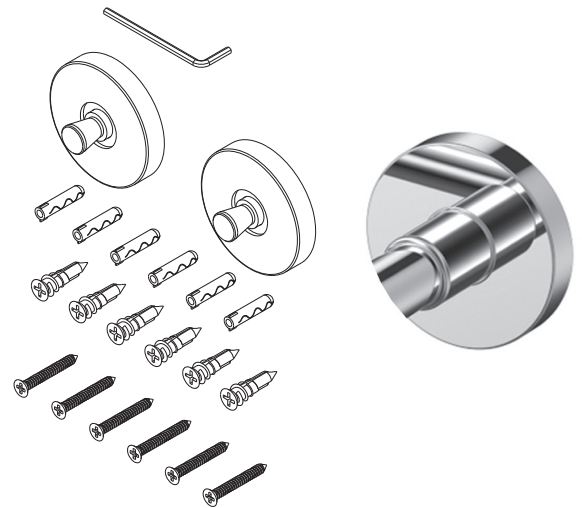
Meets or exceeds the following at date of manufacture:

- All applicable US Federal and State material regulations

Colors / Finishes

- PC: Polished Chrome
- PN: Polished Nickel
- SN: Satin Nickel

Hotel Shelf Mounting Kit 464B



Specified Model

| Model | Description | Colors / Finishes |
|-------|--------------------------|---|
| 464B | Hotel Shelf Mounting Kit | <input type="checkbox"/> PC <input type="checkbox"/> PN <input type="checkbox"/> SN |

Required Accessory: Hotel Shelf Frame

| Model | <input type="checkbox"/> XX40-20 <input type="checkbox"/> XX40-24 | <input type="checkbox"/> XX43-20 <input type="checkbox"/> XX43-24 | <input type="checkbox"/> XX43S-20 |
|--------|---|---|---|
| Finish | <input type="checkbox"/> PC <input type="checkbox"/> PN <input type="checkbox"/> SN | <input type="checkbox"/> PC <input type="checkbox"/> PN <input type="checkbox"/> SN | <input type="checkbox"/> PC <input type="checkbox"/> PN <input type="checkbox"/> SN |
| Image | | | |

Product Specification: Add "Color / Finish" Suffix to Model Number Below

The Hotel Shelf mounting kit shall incorporate a solid brass escutcheons, mounting brackets and necessary hardware. Hotel Shelf Mounting Kit shall complement Ginger Kubic product series. Mounting Kit shall be Ginger Model 464B/____. Required accessory Frame shall be Ginger Model XX4____-2____/____.

464B

