

**Features:**

**GTB20528 / TB-20-528**

- Vitreous china
- Toilet-In-A-Box configuration
- High Efficiency Toilet uses 1.28 gpf
- 3" flush valve with Fluidmaster® pilot valve for quiet fill
- 12" Rough-in
- ErgoHeight™ ADA Elongated bowl
- Dual-fed siphon jets action bowl (no splashing)
- 2" Fully Glazed trapway for effective waste removal
- Color matched metal tank lever
- 6 point tank to bowl connection for tank stability
- Sanitary bead for easy cleaning
- Color matched Bolt caps included
- Soft-Closed Toilet seat included
- Wax Ring included
- Floor bolts included



**Technical Information:**

**Included Components:**

- Combination GTB20528 / TB-20-528
- Bowl GVP21528 / VP-21-528
- Tank GWS28590 / WS-28-590

**Fixtures:**

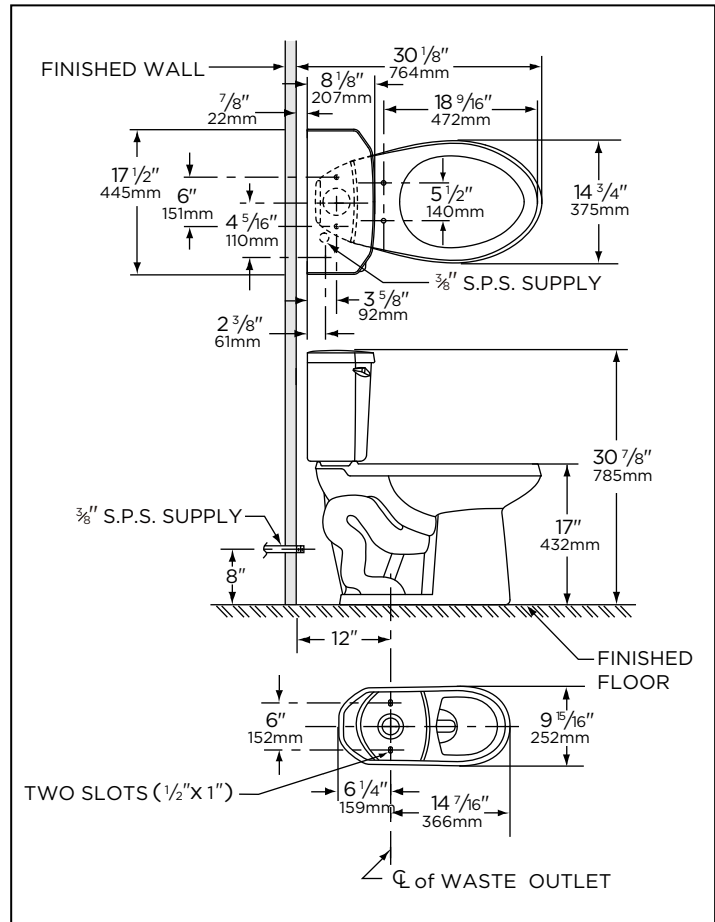
Configuration	Two-piece, ADA Elongated
Water per Flush	1.28 gpf (4.8 Lpf)
Rough-In	12"
Height	30 <sup>7</sup> / <sub>8</sub> "
Width	17 <sup>1</sup> / <sub>2</sub> "
Depth	29 <sup>1</sup> / <sub>8</sub> "
Trapway	2"
Large Water Surface	8 <sup>11</sup> / <sub>16</sub> " x 6 <sup>5</sup> / <sub>16</sub> "
Shipping Weight	82.4 lbs

**Colors/Finishes:**

- White
- Other: Refer to Price Book for additional colors/finishes

**Warranty:**

- Limited lifetime warranty



**NOTES:** All dimensions are in inches and millimeters. Illustrations may not be drawn to scale.

**IMPORTANT:**

Dimensions of fixtures are nominal and may vary within the range of tolerances established by ASME standard A 112.19.2 THIS FIXTURE QUALIFIES ACCORDING TO ASME TEST PROCEDURES AS A HIGH EFFICIENCY WATER CLOSET WITH AN AVERAGE CONSUMPTION OF 1.28 gpf (4.8 Lpf) OR LESS.