




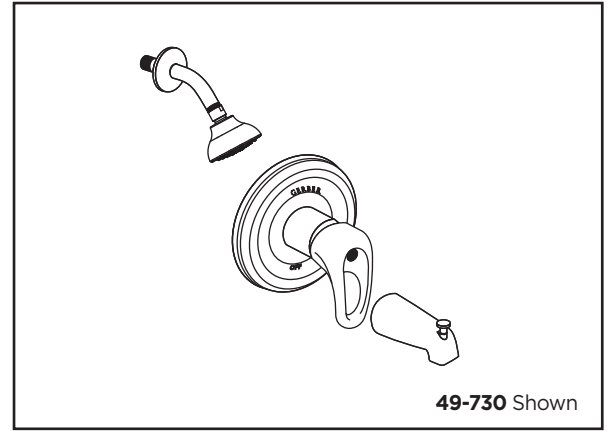
GERBER Safetemp® Pressure Balance Valve Tub & Shower Fittings

49-700 Series



Features:

- Washerless cartridge
- Adjustable maximum hot water temperature limit stop
- Instant shut off in the event of hot or cold water failure
- Pressure Balance design maintains $\pm 3^{\circ}\text{F}$ temperature range
- Body cast of high copper content brass
- Exposed parts have heavy chrome plated finish
- Working parts can be easily replaced
- Single function showerhead 49-107 at max. 2.0GPM (7.6LPM) WaterSense listed 
- 1/2" I.P.S. or 1/2" nominal copper sweat connections
- Brass escutcheon, bonnet and sleeve
- ADA compliant Gerber Hardwater® style zinc metal chrome plated handle operates with less than 5 lbs. of force
- Back to back capability
- Spacer for thin wall installation
- Optional - Extra large escutcheon/cover plate capable of covering 2-3 holes in wall (92-293)
- Zinc die cast spout with internal diverter

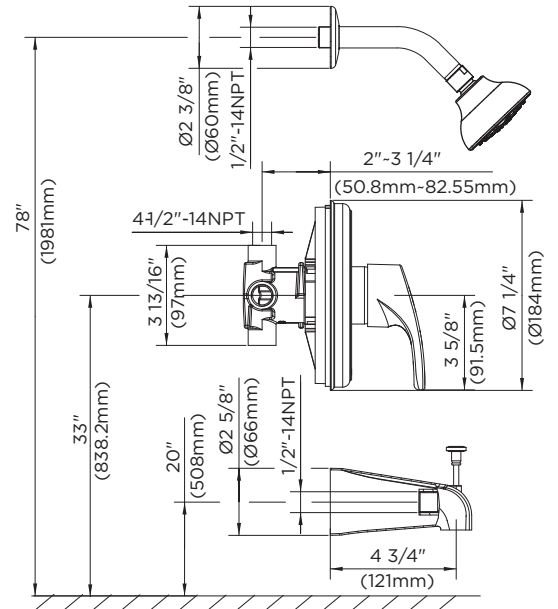
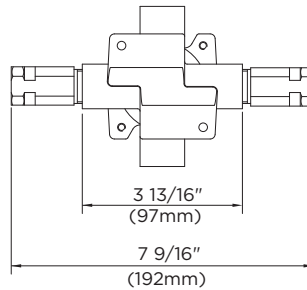


Standards & Certifications:

- ANSI/ASME A112.18.1M
- ANSI A117.1 (ADA)
- CSA B125

Catalog Numbers:

- 49-700** Without Stops, IPS, Chrome
- 49-720** Without Stops, IPS, Chrome
- 49-721** Without Stops, Sweat, Chrome
- 49-723** With Stops, IPS, Chrome
- 49-725** With Stops, Sweat, Chrome
- 49-730** Without Stops, IPS, Chrome
- 49-730-82** Without Stops, IPS, Chrome
- 49-731** Without Stops, Sweat, Chrome
- 49-731-82** Without Stops, Sweat, Chrome
- 49-733** With Stop, Chrome
- 49-735** With Stops, Sweat, Chrome
- 49-735-82** With Stop, Chrome



Prefixes Available:

None

Suffixes Available:

-82 Slip Spout Diverter

Job Name	
Date	
Model Specified	
Quantity	
Customer	
Contractor	
Architect/engineer	

Gerber Toll Free Technical Support: 888-648-6466
www.gerberonline.com