



Stella  
COLLECTION

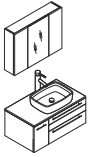
# LUCERA

## FVN6136-VSL-R

### INSTALLATION GUIDE

### CONTENTS:

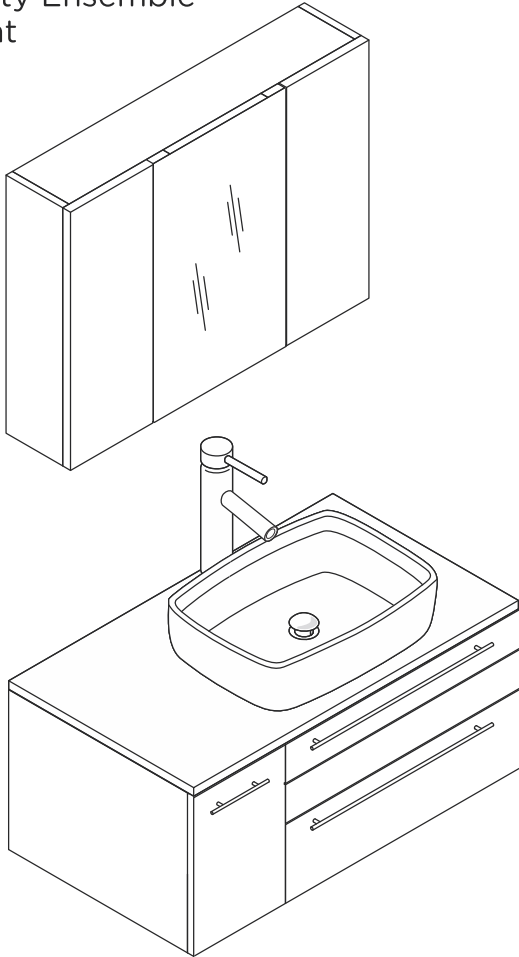
|                       |                      |        |
|-----------------------|----------------------|--------|
| Medicine Cabinet..... | FMC6183.....         | PAGE 2 |
| Cabinet.....          | FCB6136-VSL-R.....   | PAGE 3 |
| Sink.....             | FVS6119WH.....       | PAGE 4 |
| Counter Top.....      | FCT6136WH-VSL-R..... | PAGE 4 |



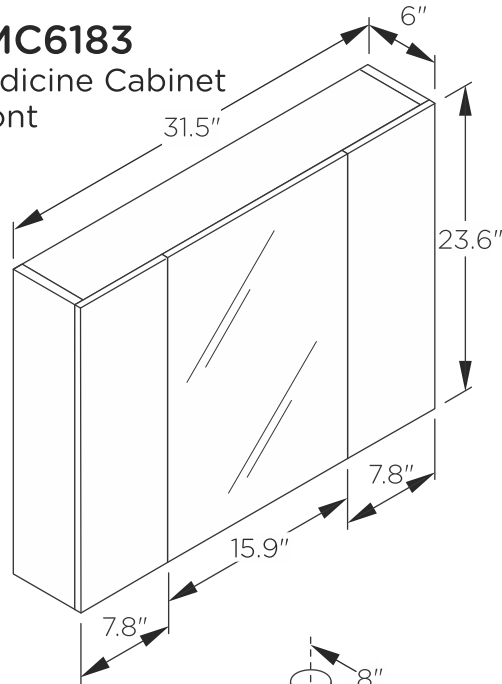
# FVN6136-VSL-R LUCERA INSTALLATION GUIDE



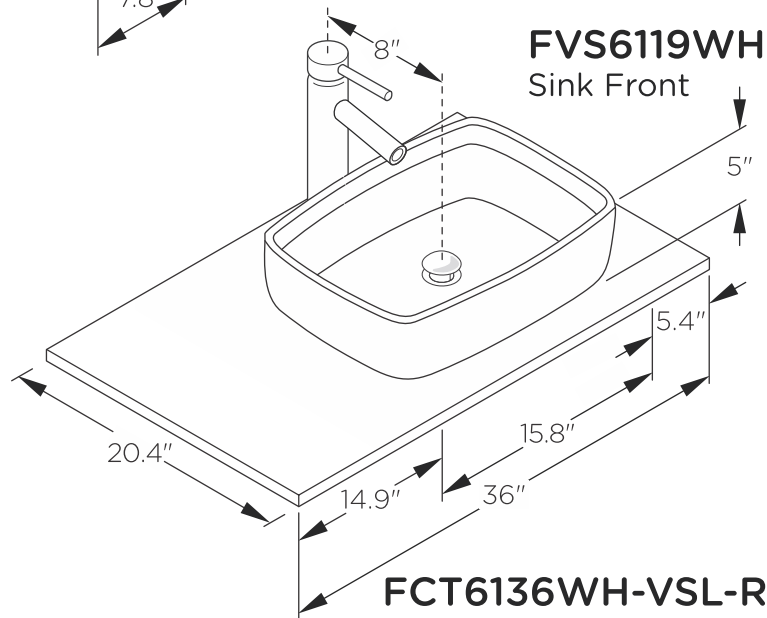
**FVN6136-VSL-R**  
Vanity Ensemble  
Front



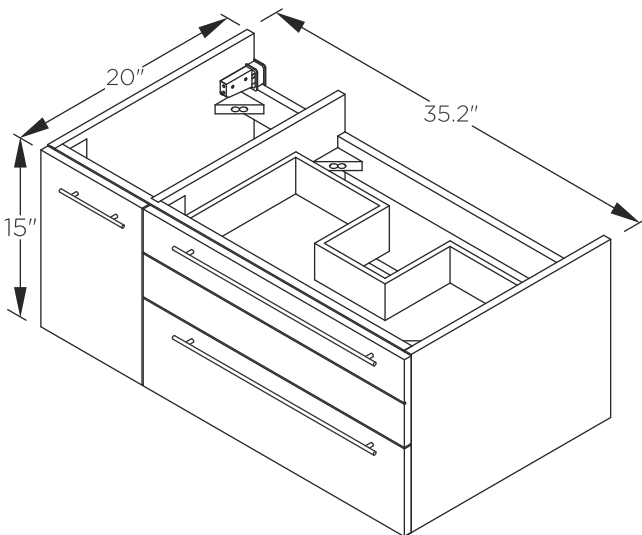
**FMC6183**  
Medicine Cabinet  
Front



**FVS6119WH**  
Sink Front

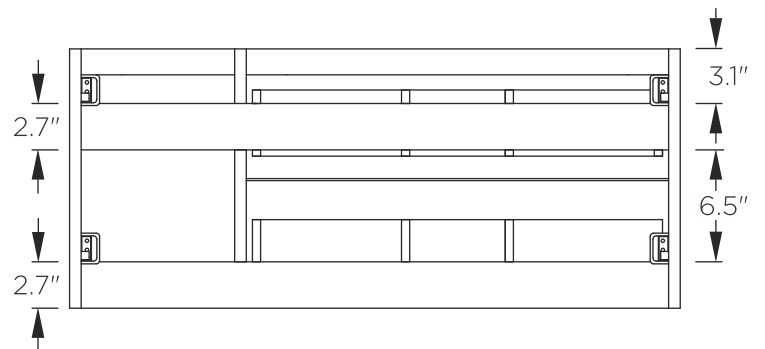


**FCT6136WH-VSL-R**  
Counter Top Front



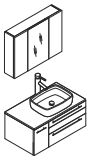
**FCB6136-VSL-R**  
Cabinet Front

**FCB6136-VSL-R**  
Cabinet Back



>All dimensions & specifications are approximate and subject to change without notice.

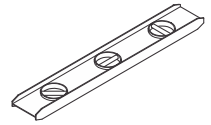
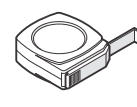
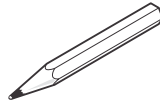
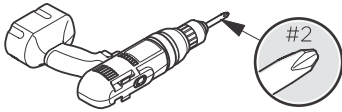




# FVN6136-VSL-R LUCERA INSTALLATION GUIDE

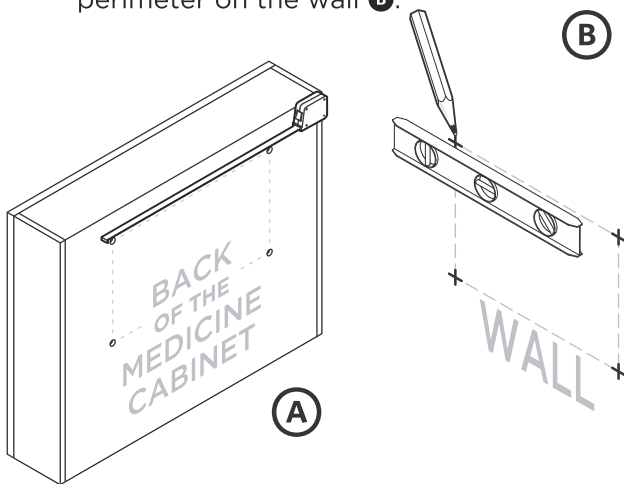


## TOOLS FOR ASSEMBLY

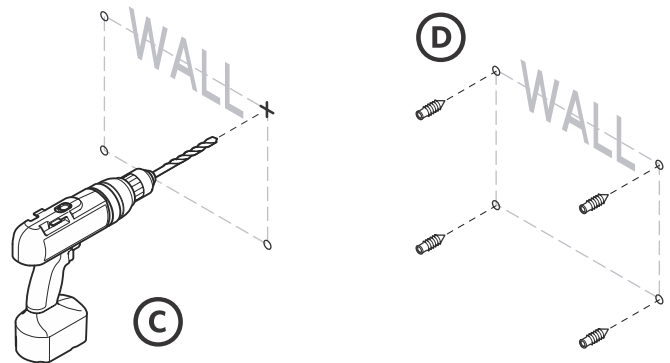


## MEDICINE CABINET INSTALLATION

- 1** Measure distance between the mounting holes on the back of medicine cabinet **A** and mark the perimeter on the wall **B**.

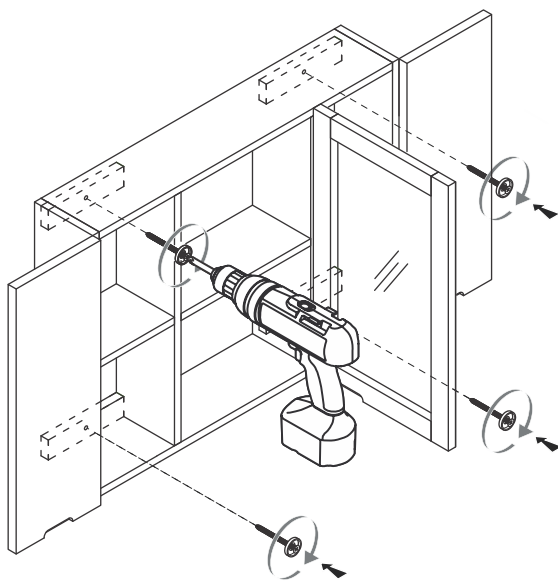


- 2** Once marked, drill the holes in the wall **C**.  
\*Insert the anchors in the holes **D**.

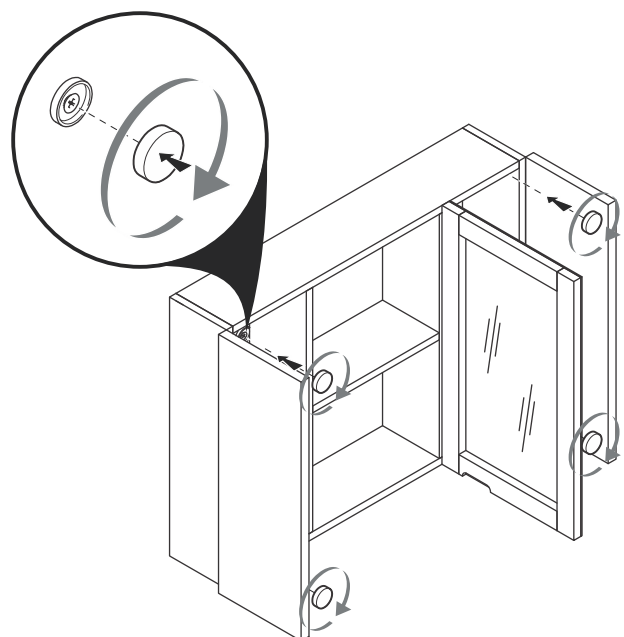


**\*IMPORTANT:** Consult an expert for the proper screws/bolts to use when attaching to various constructions. Screws provided do not attach to all wall construction types. Anchors are not required if brackets are installed in stud.

- 3** Connect medicine cabinet to the wall using a drill.



- 4** Cover the screws with the screw caps.



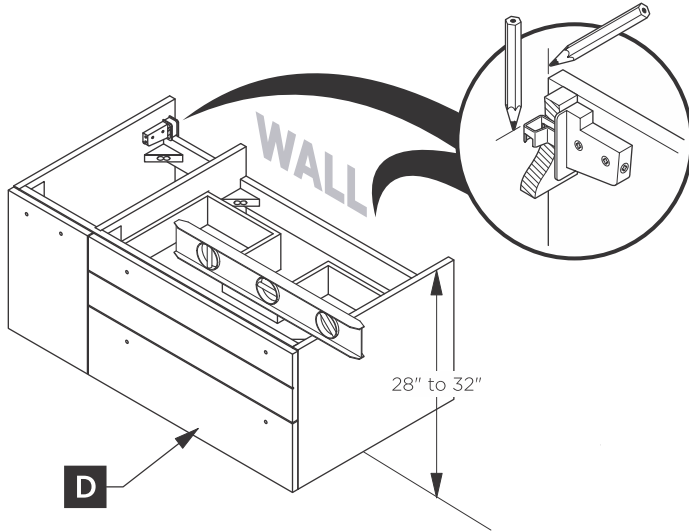


# FVN6136-VSL-R LUCERA INSTALLATION GUIDE

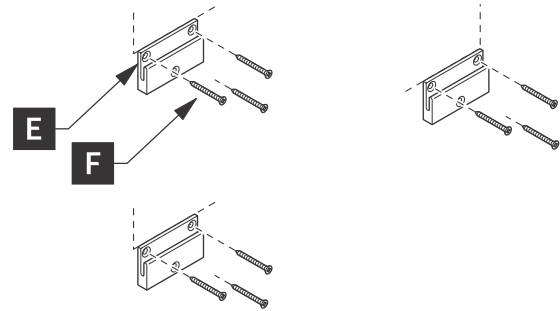
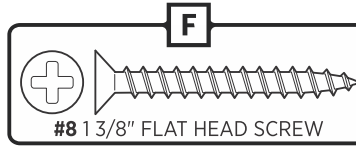


## CABINET INSTALLATION

- 1** Place cabinet (D) in designated location and mark the bracket position on the wall.

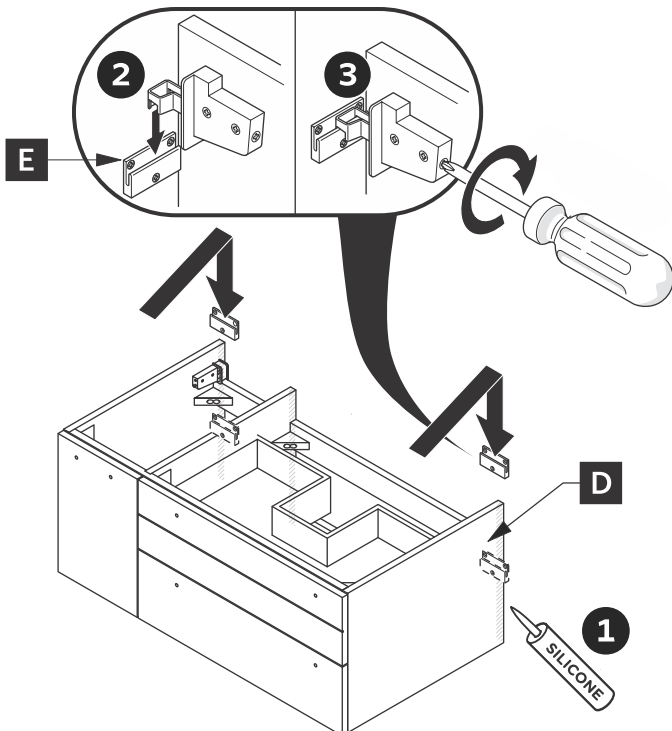


- 2** Attach wall brackets (E) to the wall with the screws (F).

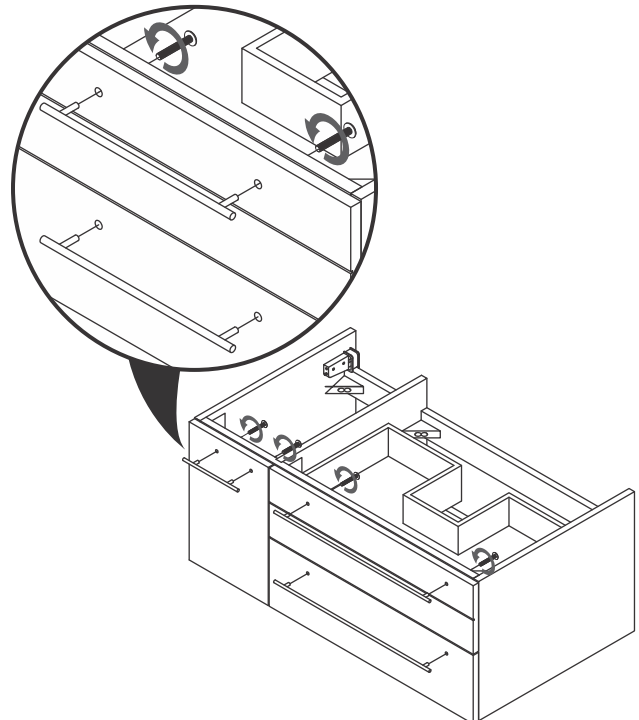


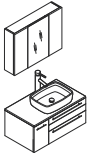
**IMPORTANT:** Consult an expert for the proper screws/bolts to use when attaching to various constructions. Screws provided do not attach to all wall construction types. Anchors are not required if brackets are installed in stud.

- 3** Apply a bid of silicone and hang the cabinet (D) on the brackets (E).



- 4** Attach the handles to cabinet.



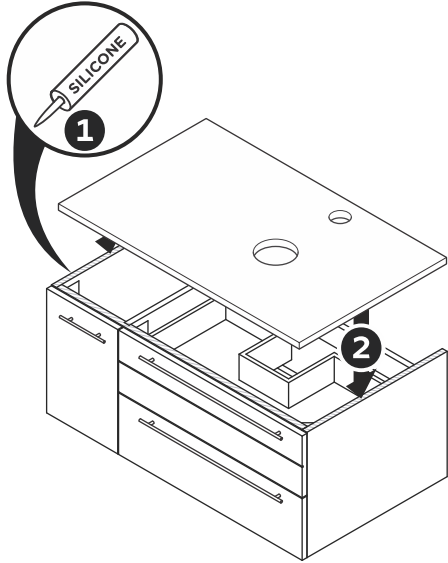


# FVN6136-VSL-R LUCERA INSTALLATION GUIDE

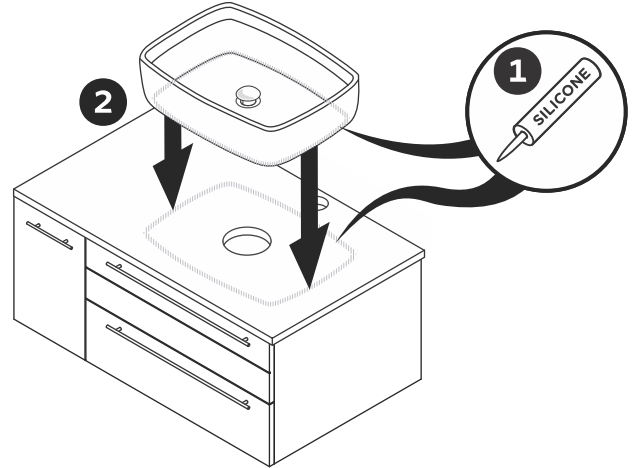


## CABINET INSTALLATION

**5** Apply a bead of silicone on top of the cabinet. Place counter top on the cabinet.

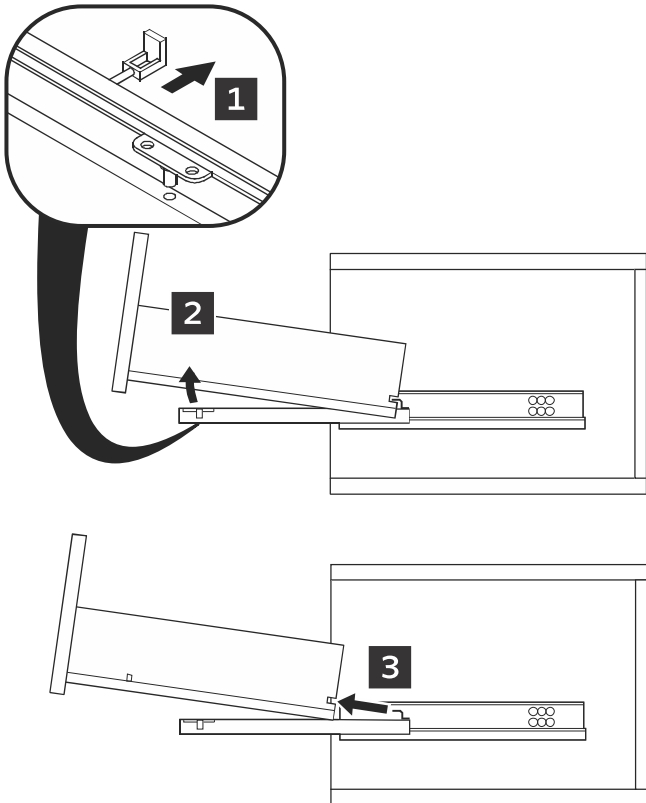


**6** Apply a bead of silicone on top of a counter top and bottom of the sink. Connect sink to the counter top.

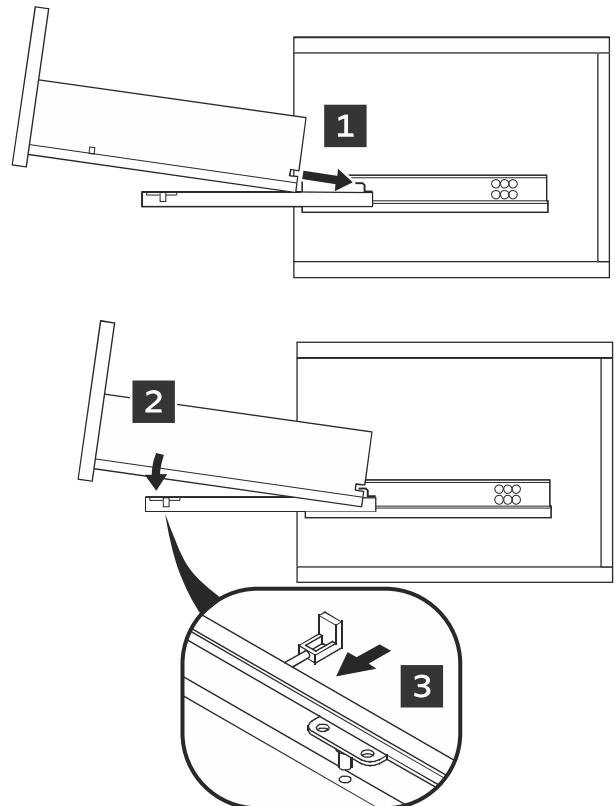


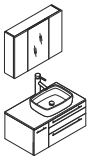
## DRAWER REMOVAL & INSTALLATION

### DRAWER REMOVAL



### DRAWER INSTALLATION





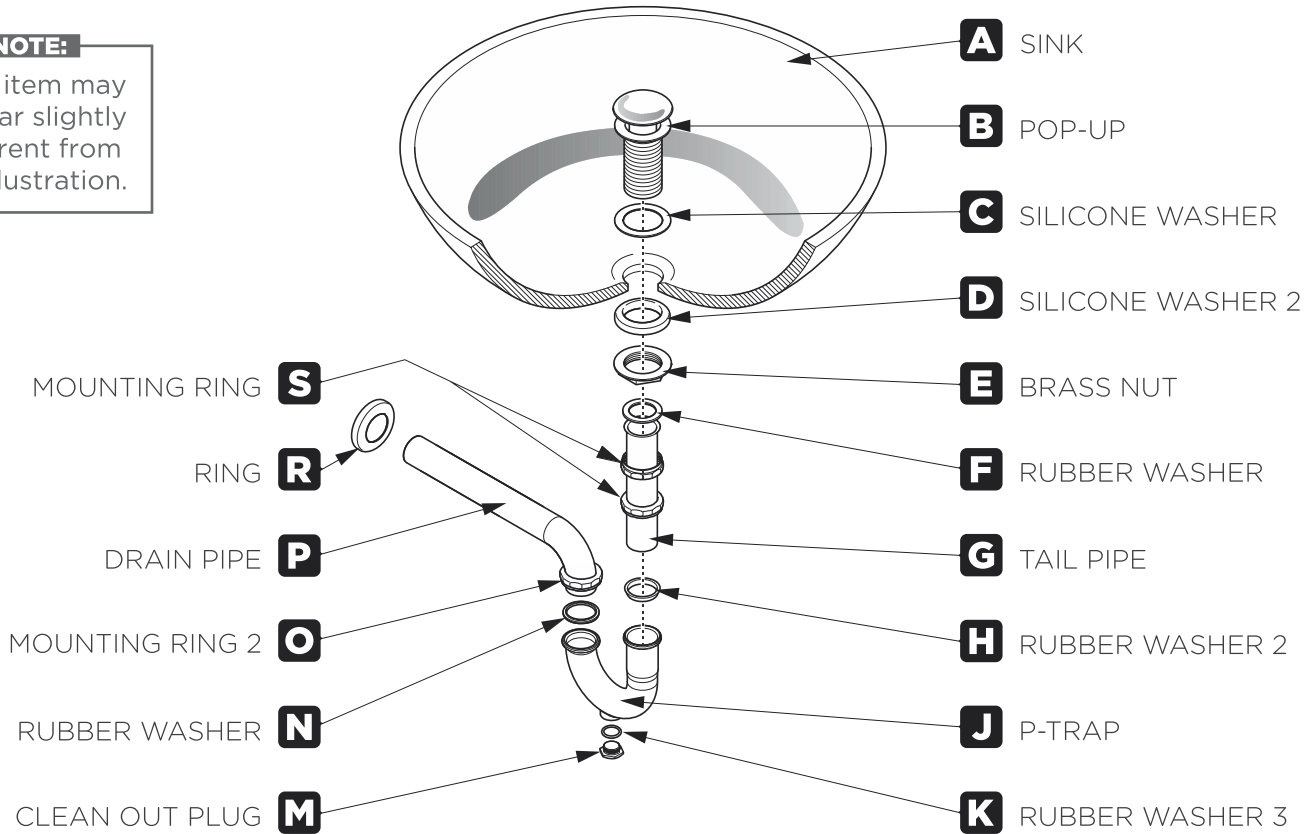
# FVN6136-VSL-R LUCERA INSTALLATION GUIDE



## P-TRAP AND POP-UP INSTALLATION INSTRUCTIONS

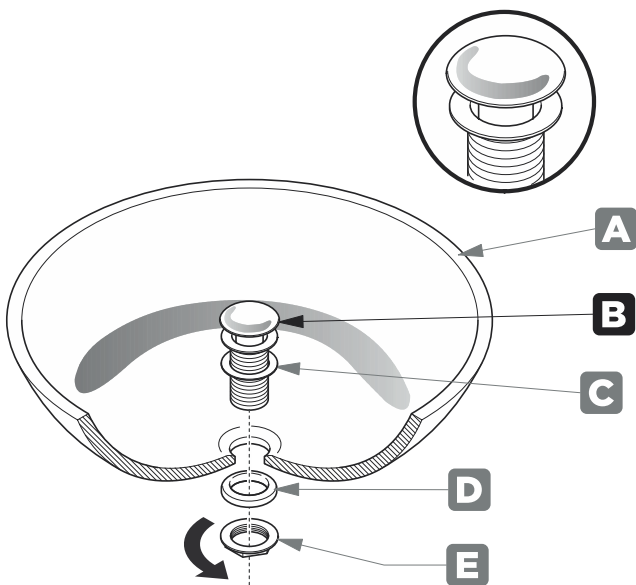
**NOTE:**

Your item may appear slightly different from the illustration.



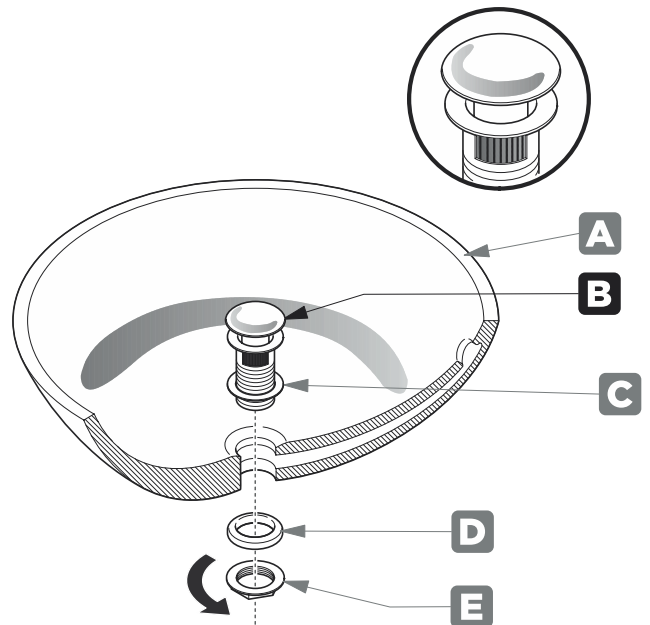
## POP-UP INSTALLATION INSTRUCTIONS

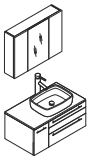
**FOR SINKS  
WITHOUT OVERFLOW**



OR

**FOR SINKS  
WITH OVERFLOW**



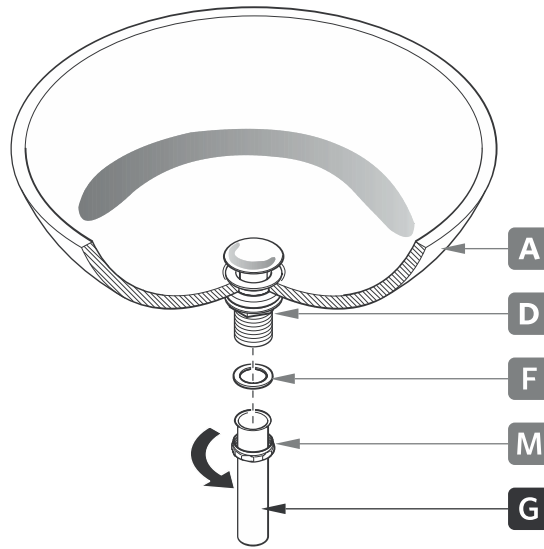


# FVN6136-VSL-R LUCERA INSTALLATION GUIDE



## P-TRAP INSTALLATION

**1** Install a tail pipe (G).



**2** Connect a P-trap (J).

