



**FVN1036**

# NETTO

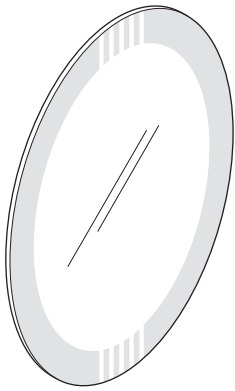
## INSTALLATION GUIDE

### CONTENTS:

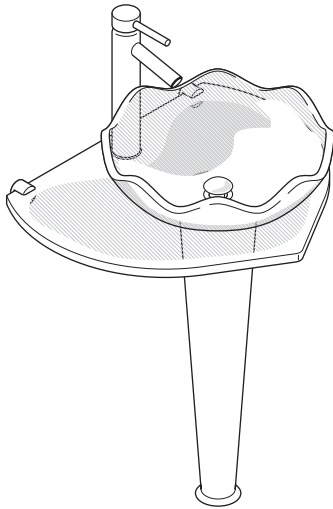
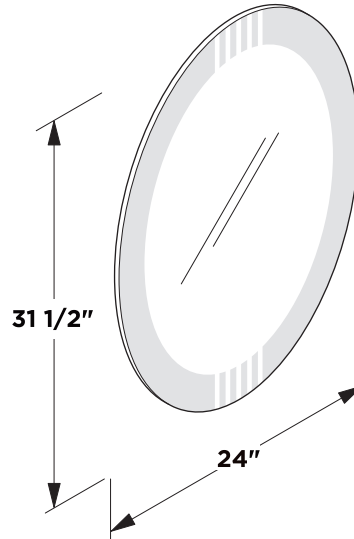
Combo Unit.....(CMB1036).....	PAGE <b>2</b>
Mirror.....(FMR1036).....	PAGE <b>2</b>



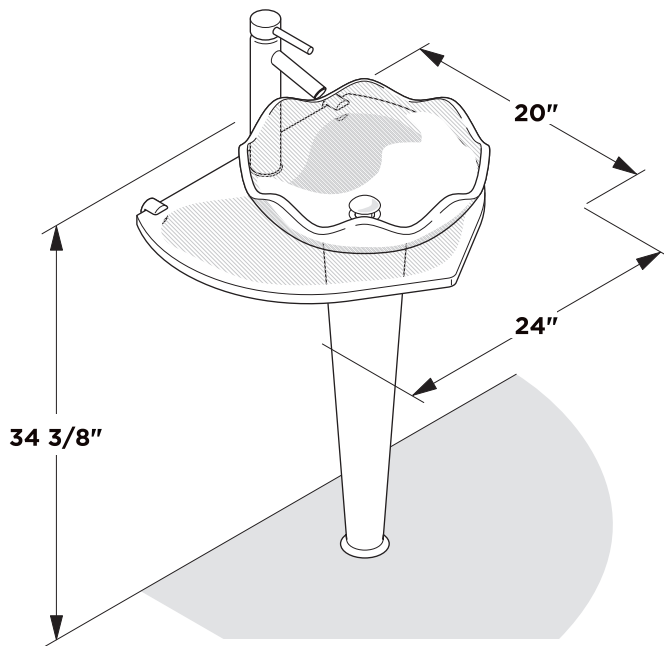
# FVN1036 NETTO INSTALLATION GUIDE



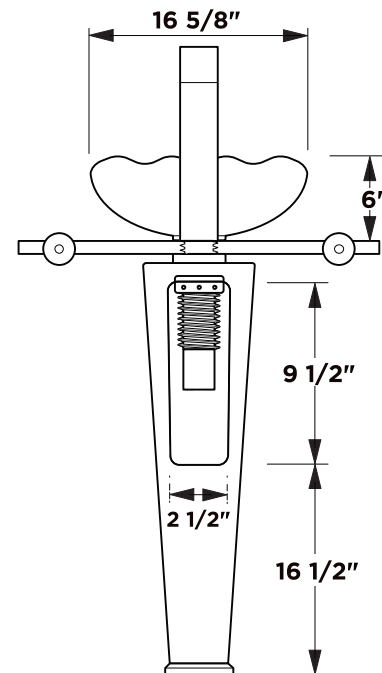
Mirror



Vanity Front

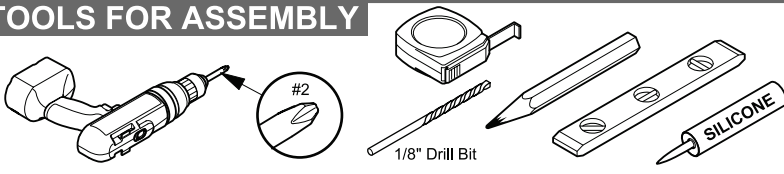


Vanity Back

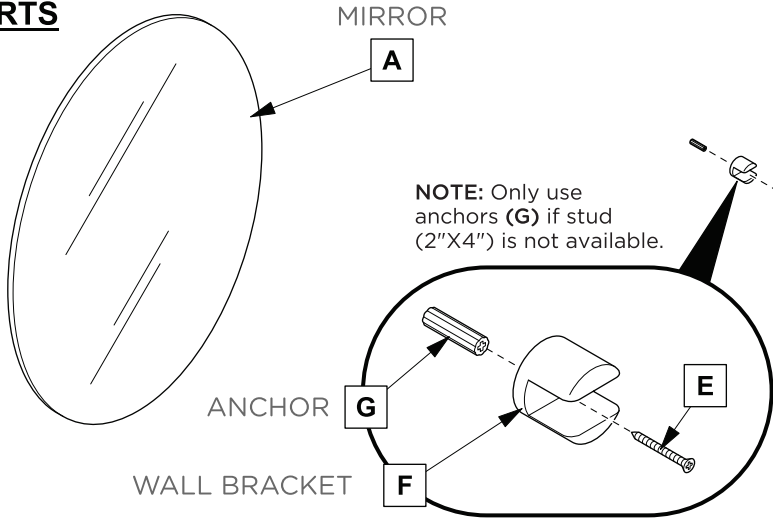


**NOTE:** ALL DIMENSIONS & SPECIFICATIONS ARE APPROXIMATE AND SUBJECT TO CHANGE WITHOUT NOTICE.

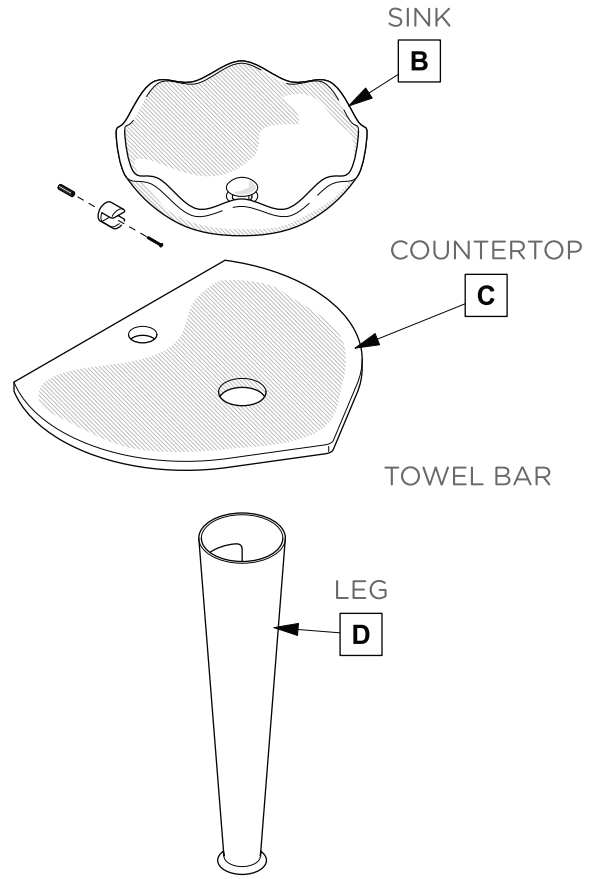
**TOOLS FOR ASSEMBLY**



**PARTS**



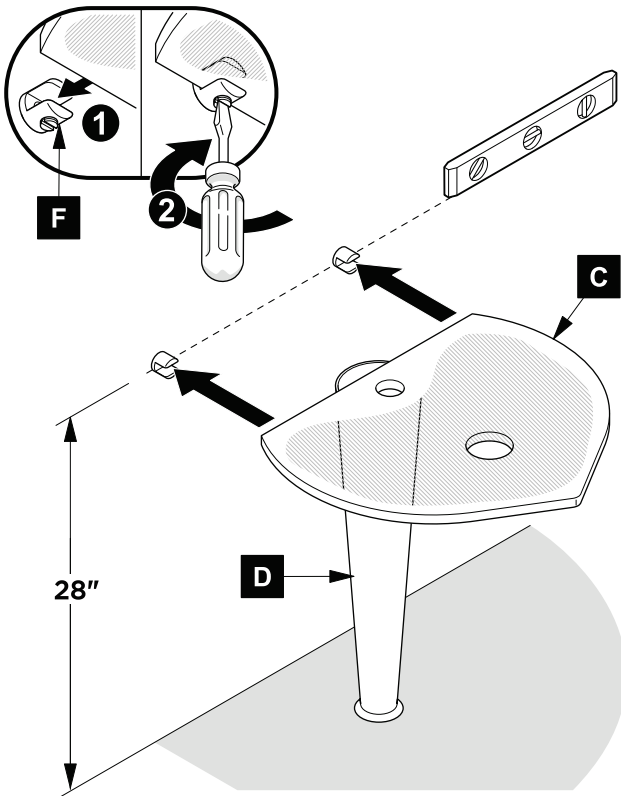
**NOTE:** Only use anchors (G) if stud (2"X4") is not available.



**1** Install tower bar (F)

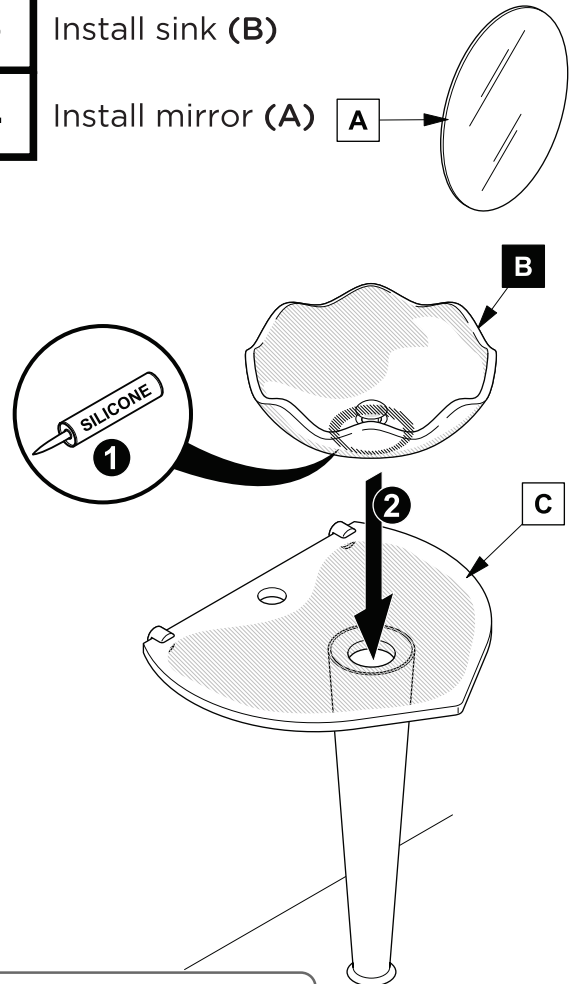
**IMPORTANT:** Consult an expert for the proper screws/bolts to use when attaching to various constructions. Screws provided do not attach to all wall construction types.

**2** Locate leg (D) and install countertop (C)



**3** Install sink (B)

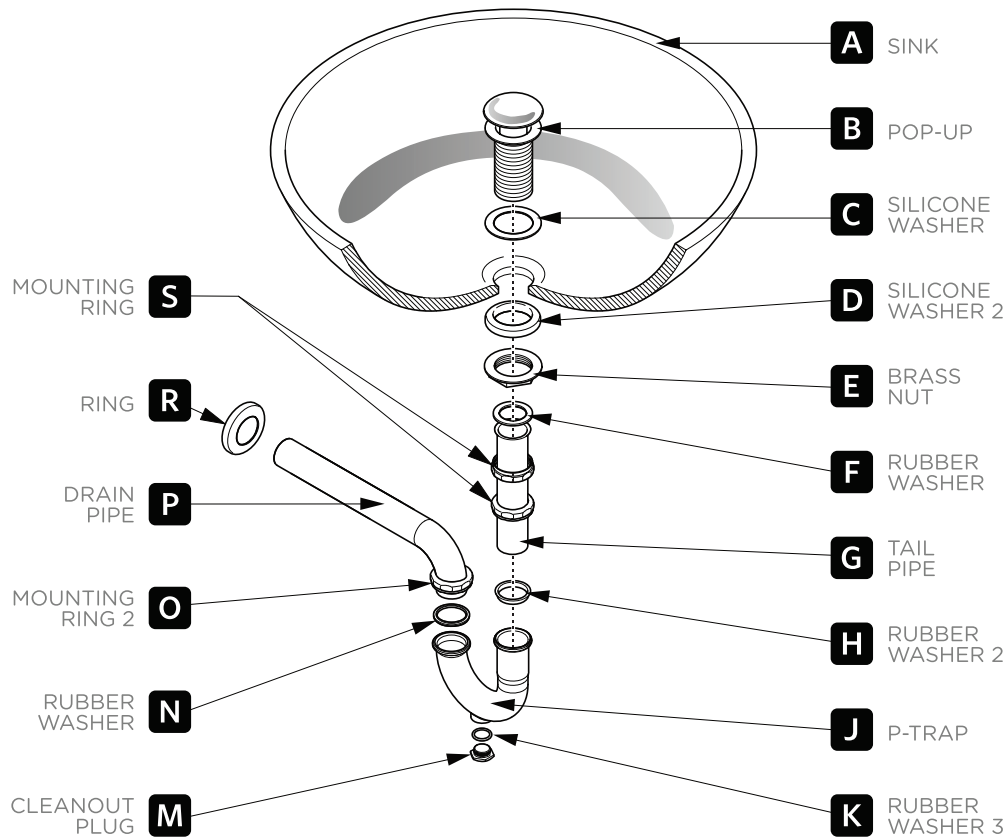
**4** Install mirror (A)



# P-TRAP & POP-UP

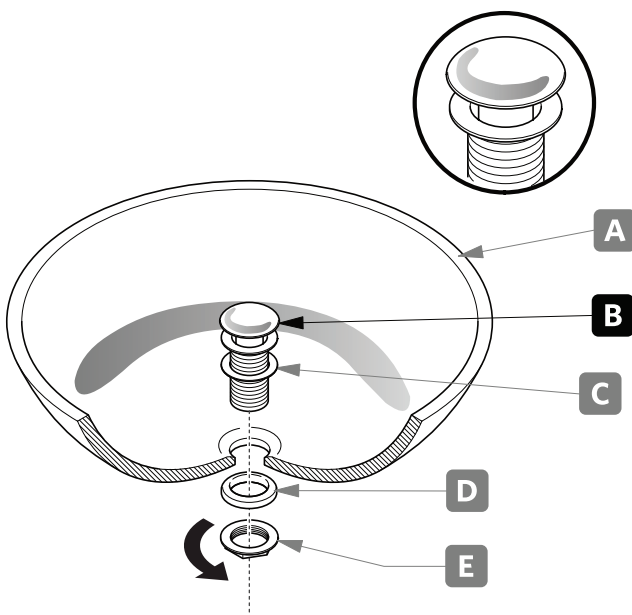
## INSTALLATION INSTRUCTIONS

Your item may appear slightly different from the illustration.



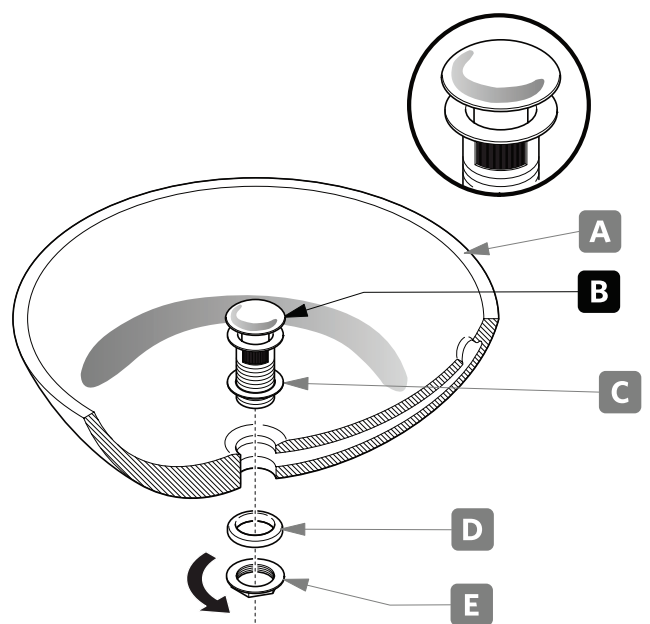
## POP-UP INSTALLATION

**FOR SINKS WITHOUT OVERFLOW**



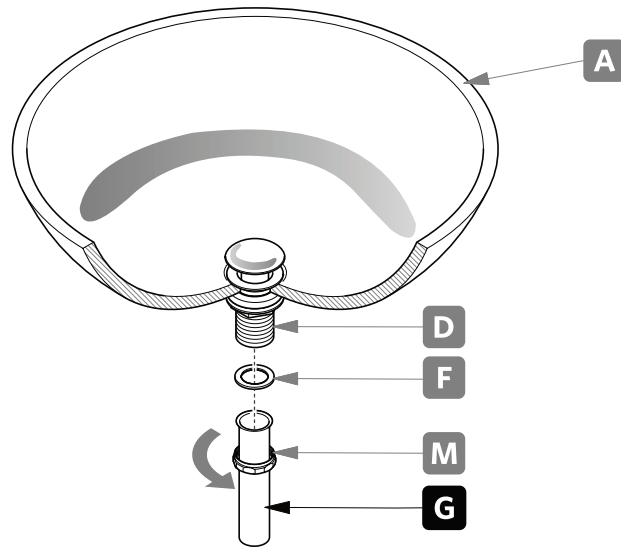
OR

**FOR SINKS WITH OVERFLOW**



# P-TRAP INSTALLATION

**1.** Install tail pipe **(G)**.



**2.** Install P-trap **(J)**.

