

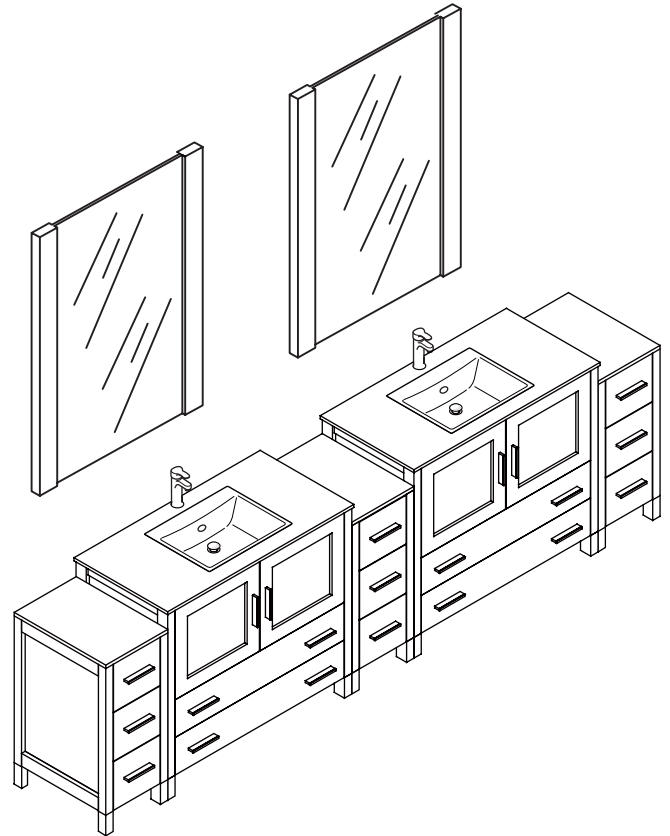
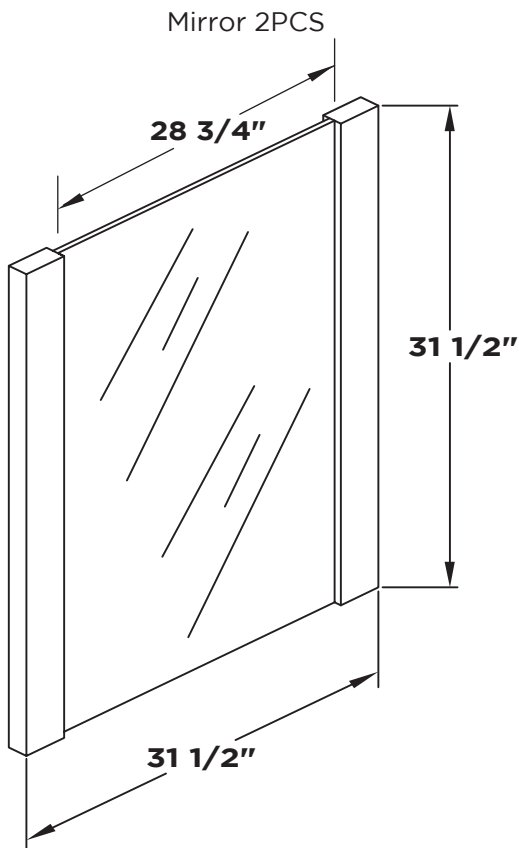
FVN62-108-UNS

TORINO

INSTALLATION GUIDE

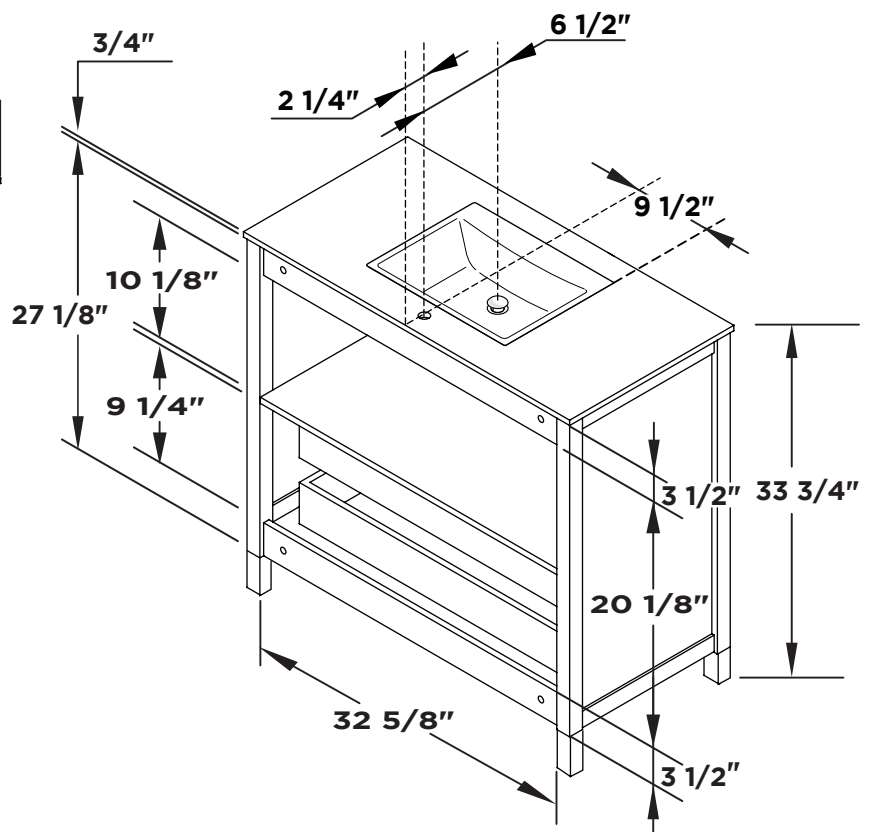
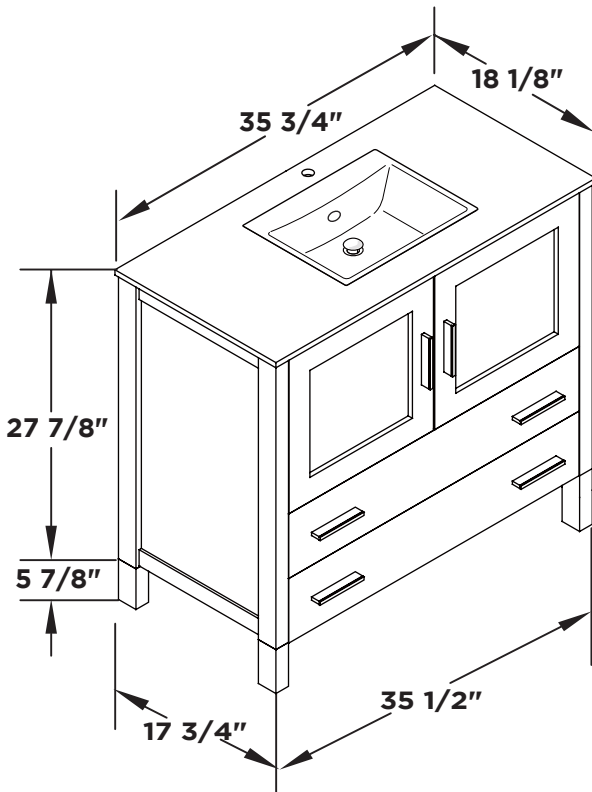


FRESCA

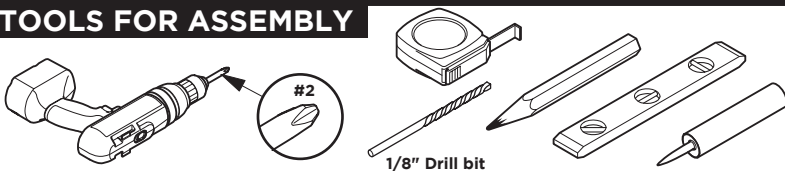


Vanity Front 2PCS

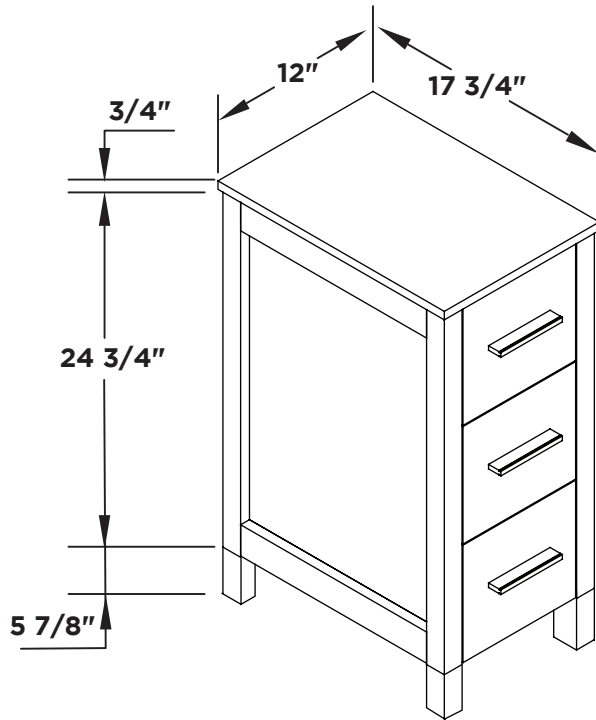
Vanity Back 2PCS



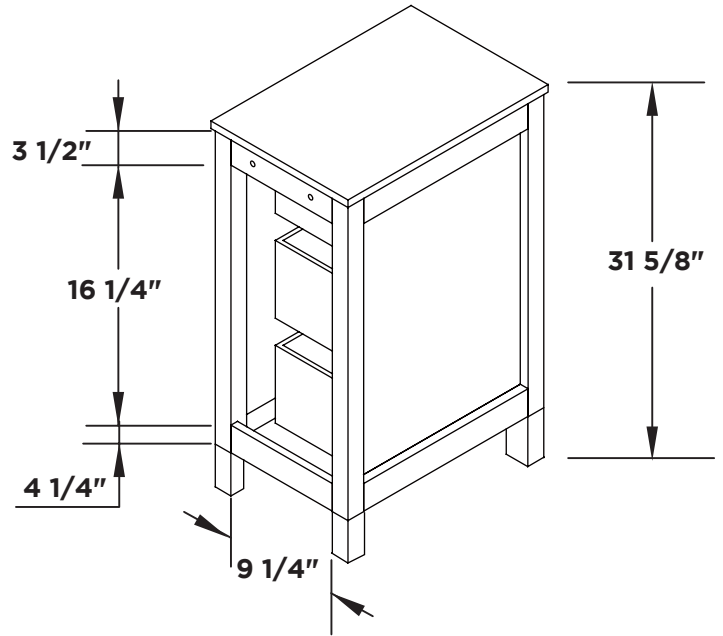
TOOLS FOR ASSEMBLY



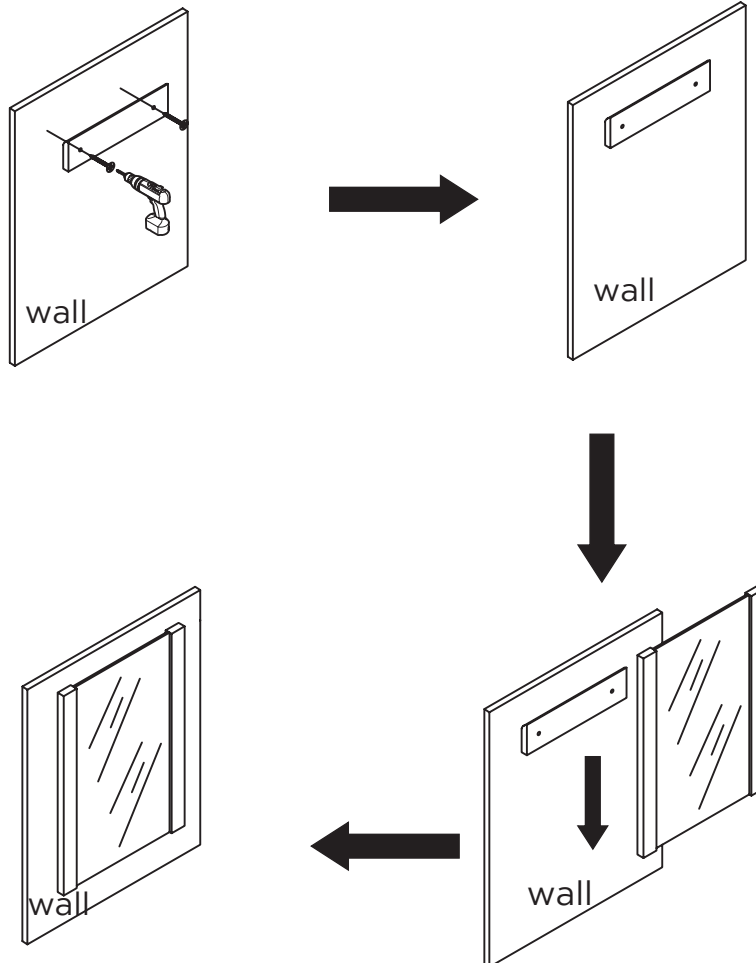
Side Cabinet Front 3PCS



Side Cabinet Back 3PCS

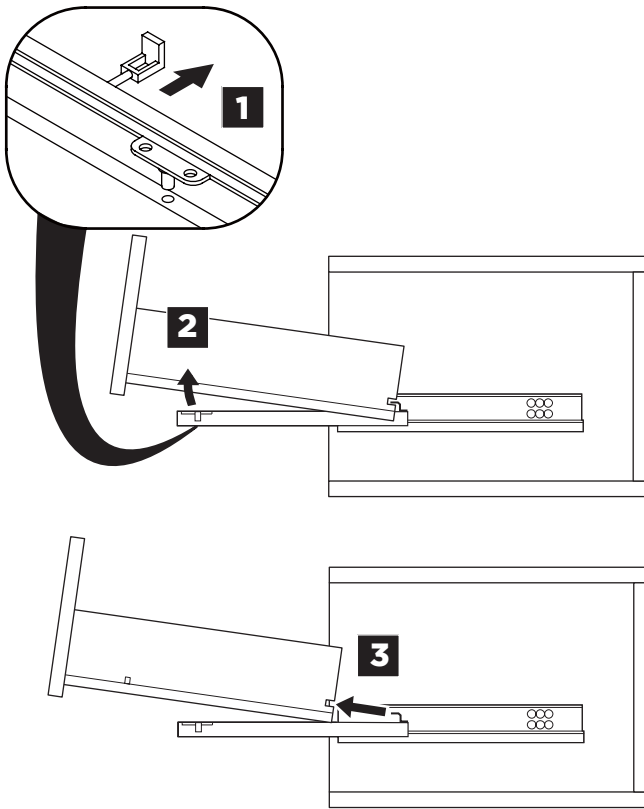


MIRROR INSTALLATION

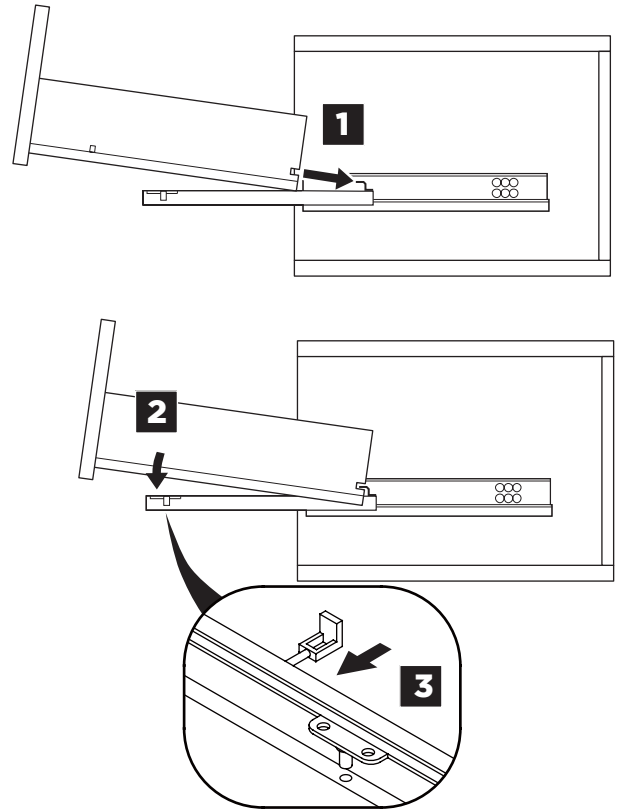


DRAWER REMOVAL & INSTALLATION

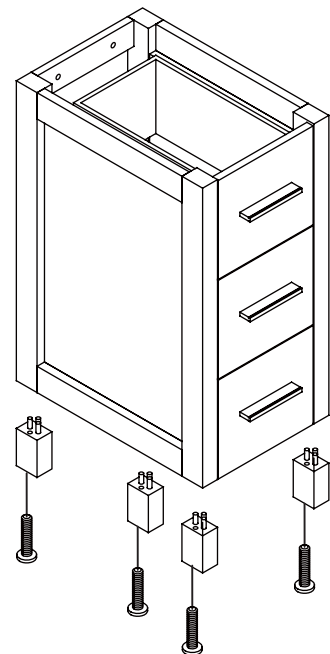
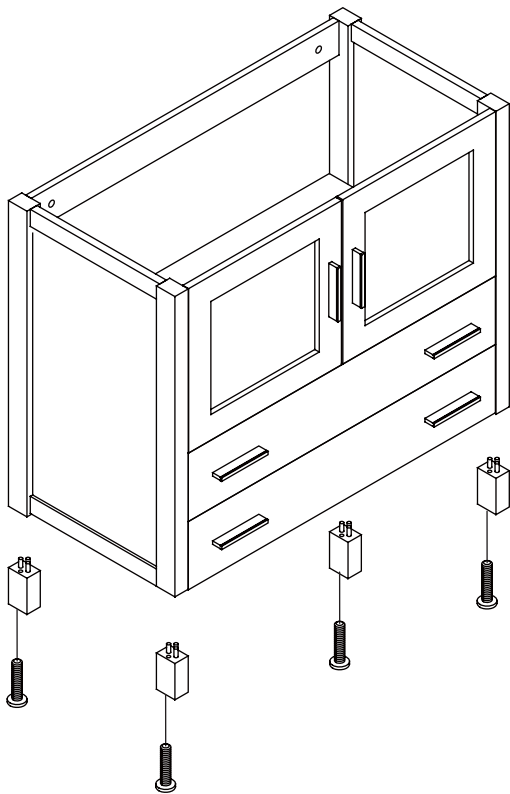
REMOVAL



INSTALLATION



1 Install leg



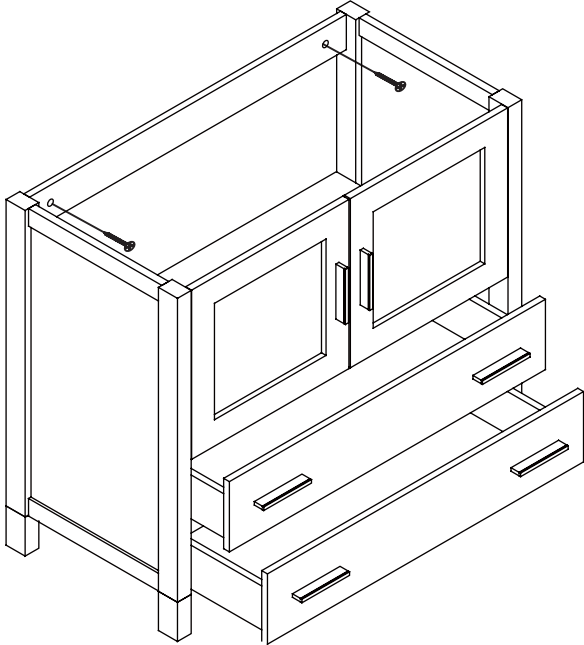
2

Remove side cabinet drawer

3

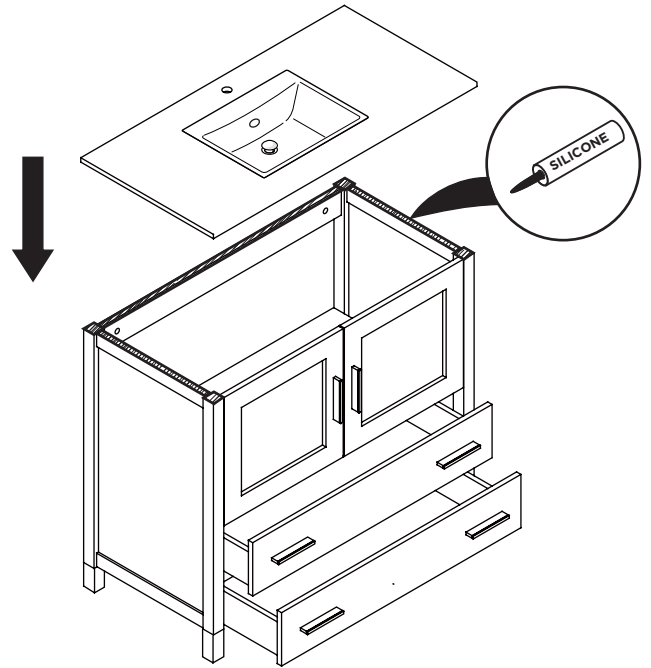
Install side cabinet

IMPORTANT: Consult an expert for the proper screws/bolts to use when attaching to various wall constructions. Screws provided do not attach to all wall construction types.



4

Install top panel

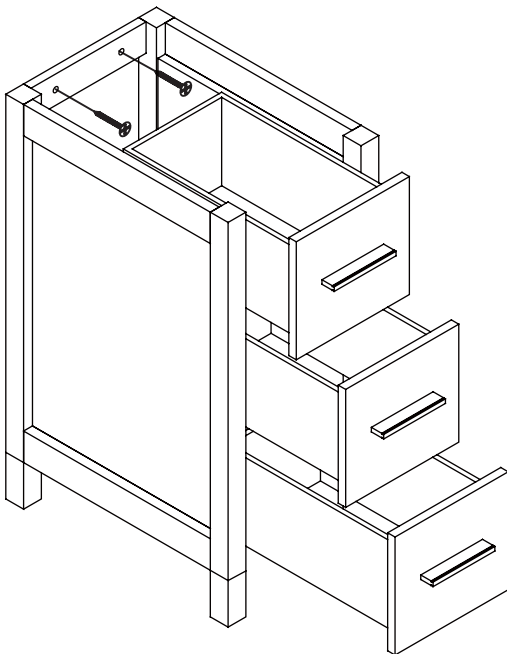


5

Remove side cabinet drawer

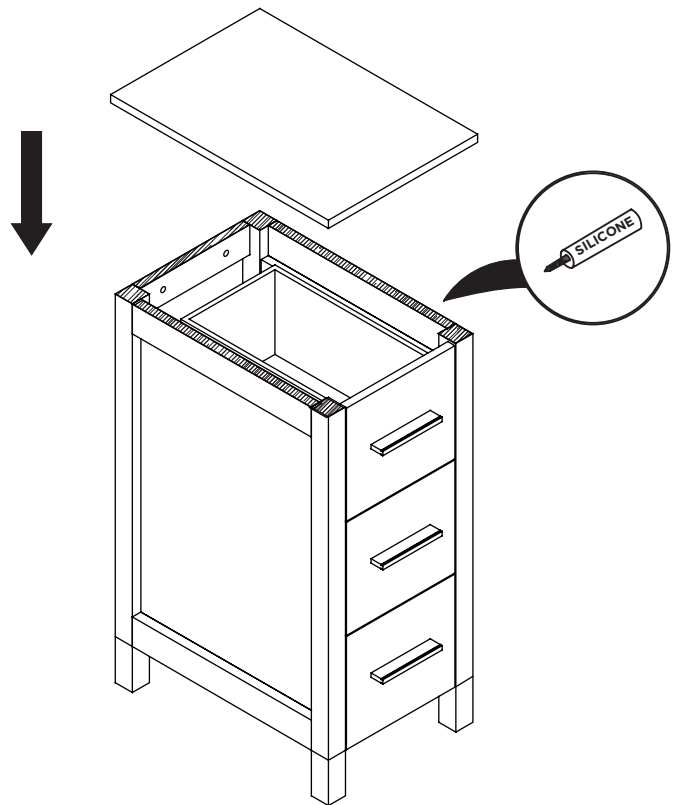
6

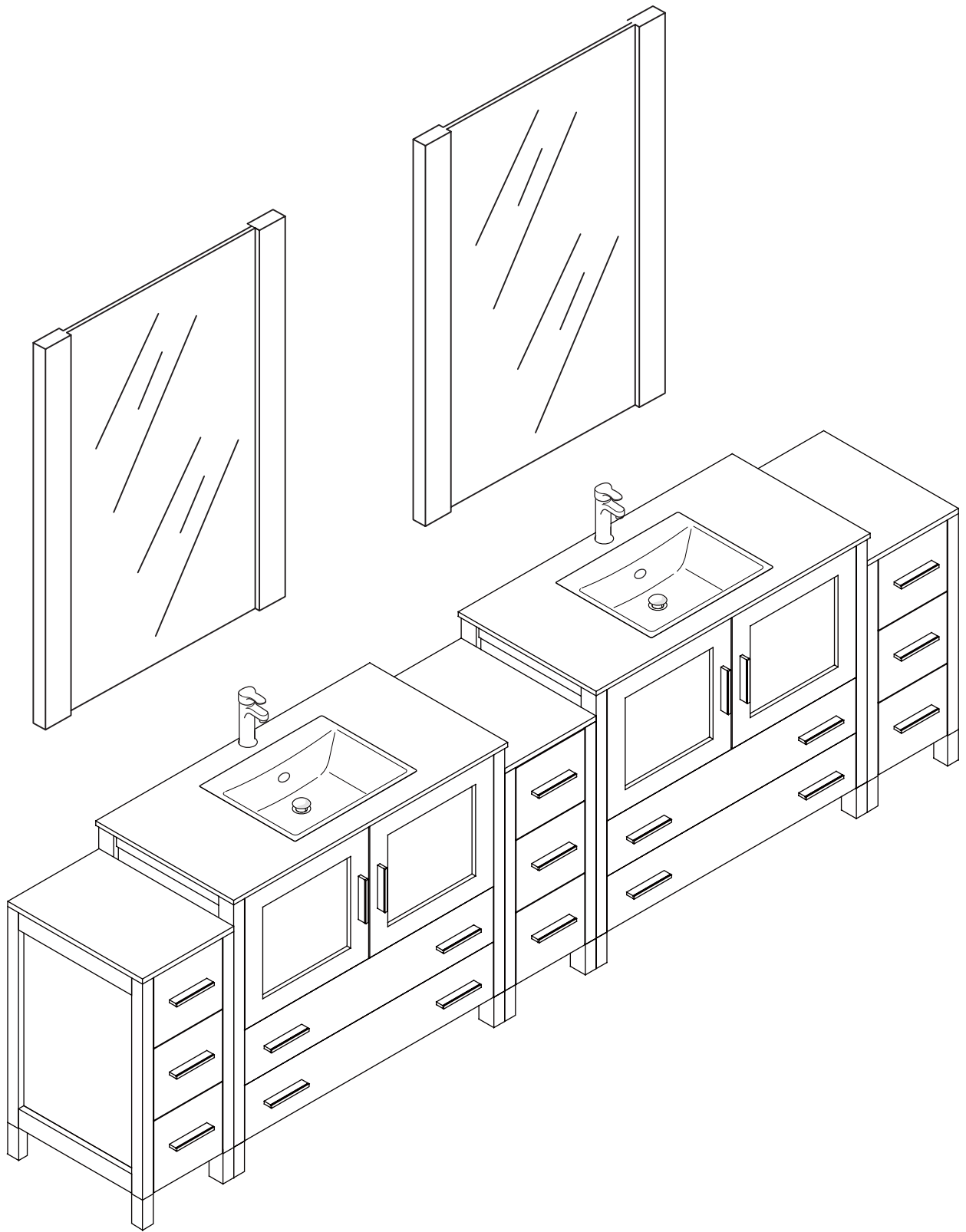
Install side cabinet



7

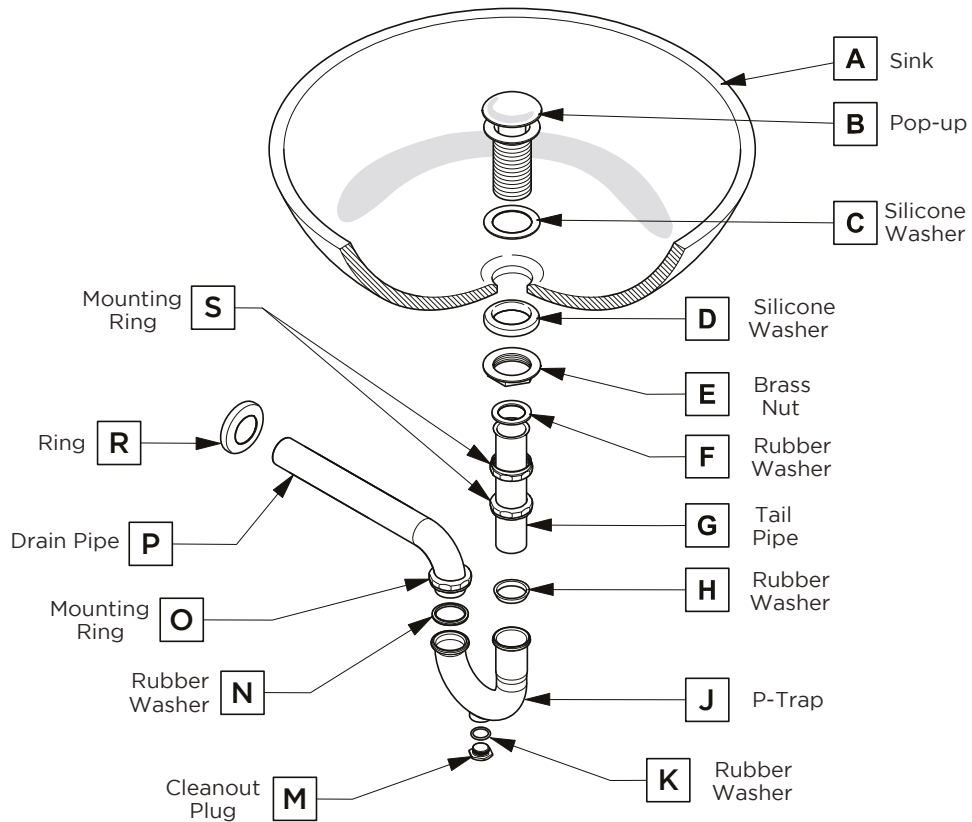
Install side cabinet top panel





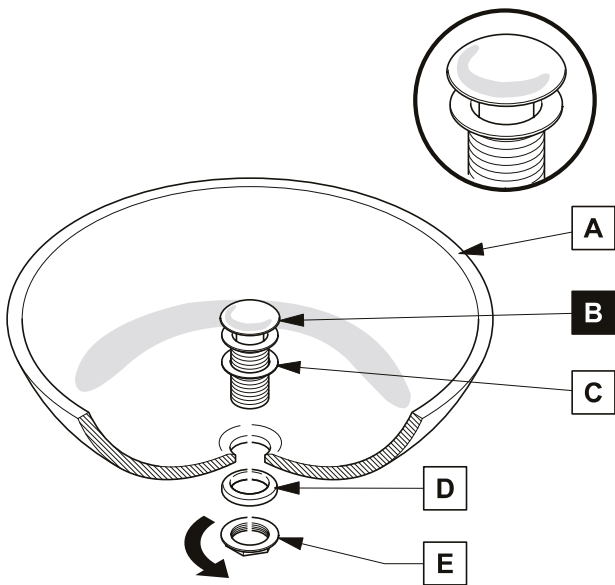
P-TRAP AND POP-UP INSTALLATION INSTRUCTIONS

Your item may appear slightly different from the illustration



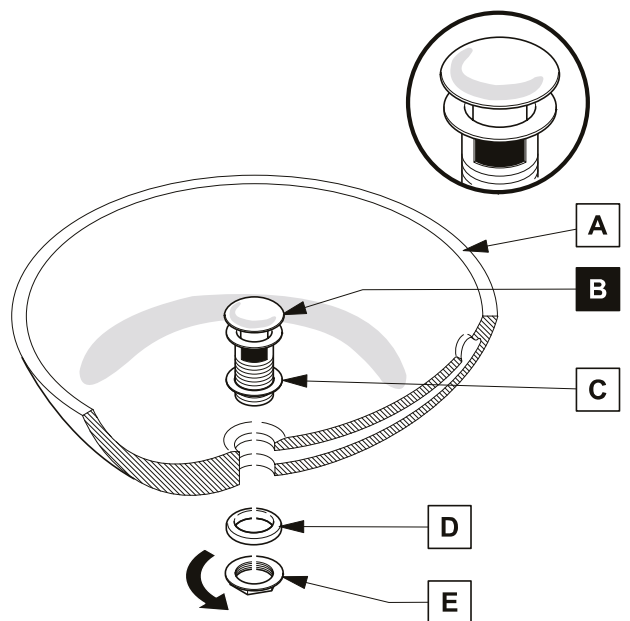
POP-UP INSTALLATION

FOR SINKS WITHOUT OVERFLOW



OR

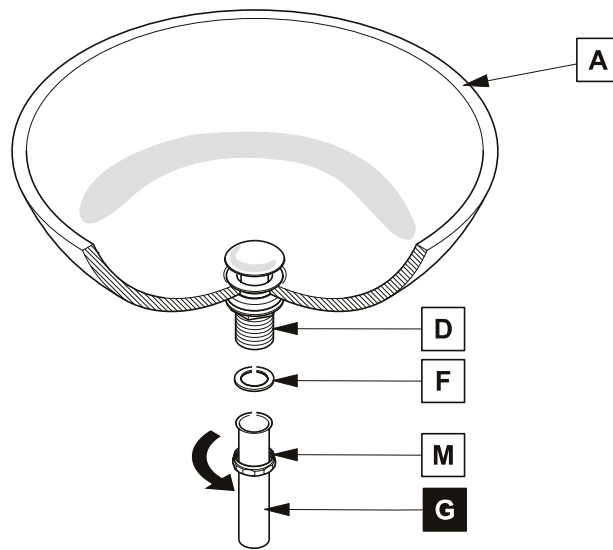
FOR SINKS WITH OVERFLOW



P-TRAP INSTALLATION

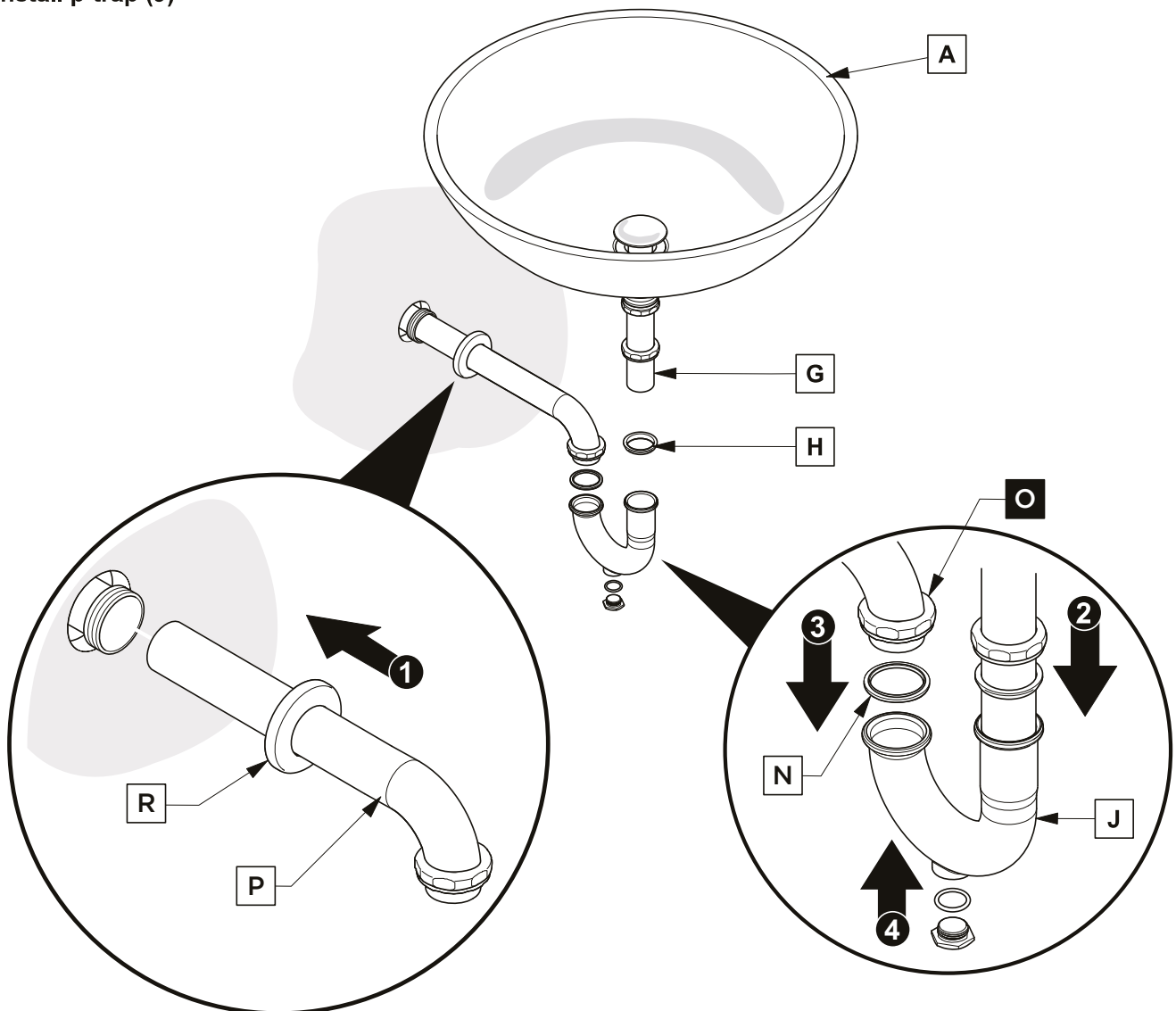
1

Install tail pipe (G)



2

Install p-trap (J)



TORINO

INSTALLATION GUIDE

PAGE 7