

# SHADOWBROOK™

## WIDESPREAD LAVATORY FAUCET



- Emulating a cascade delivered only by nature with several paths converging into a ribbon flow
- Minimalist, stoic body design exploding with endless complexity
- Ceramic disc valve cartridges
- 8" centers
- 6"—12" flexible installation
- Lead Free—faucet contains  $\leq 0.25\%$  total lead content by weighted volume
- Maximum flow rate: 1.2 gpm (4.5 L/min)

### CODES AND STANDARDS

Meets or Exceeds ASME A112.18.1/  
CSA B125.1/NSF 61/Section 9

EPA WaterSense® High Efficiency  
Lavatory Faucet Specification

Certified Compliant with 0.25% Weighted  
Average Lead Content Regulations

### AVAILABLE FINISHES

Butler Finish

### FINISH CODE

435

### DESCRIPTION

Widespread Faucet  
1.2 gpm (4.5 L/min)

### PRODUCT NUMBER

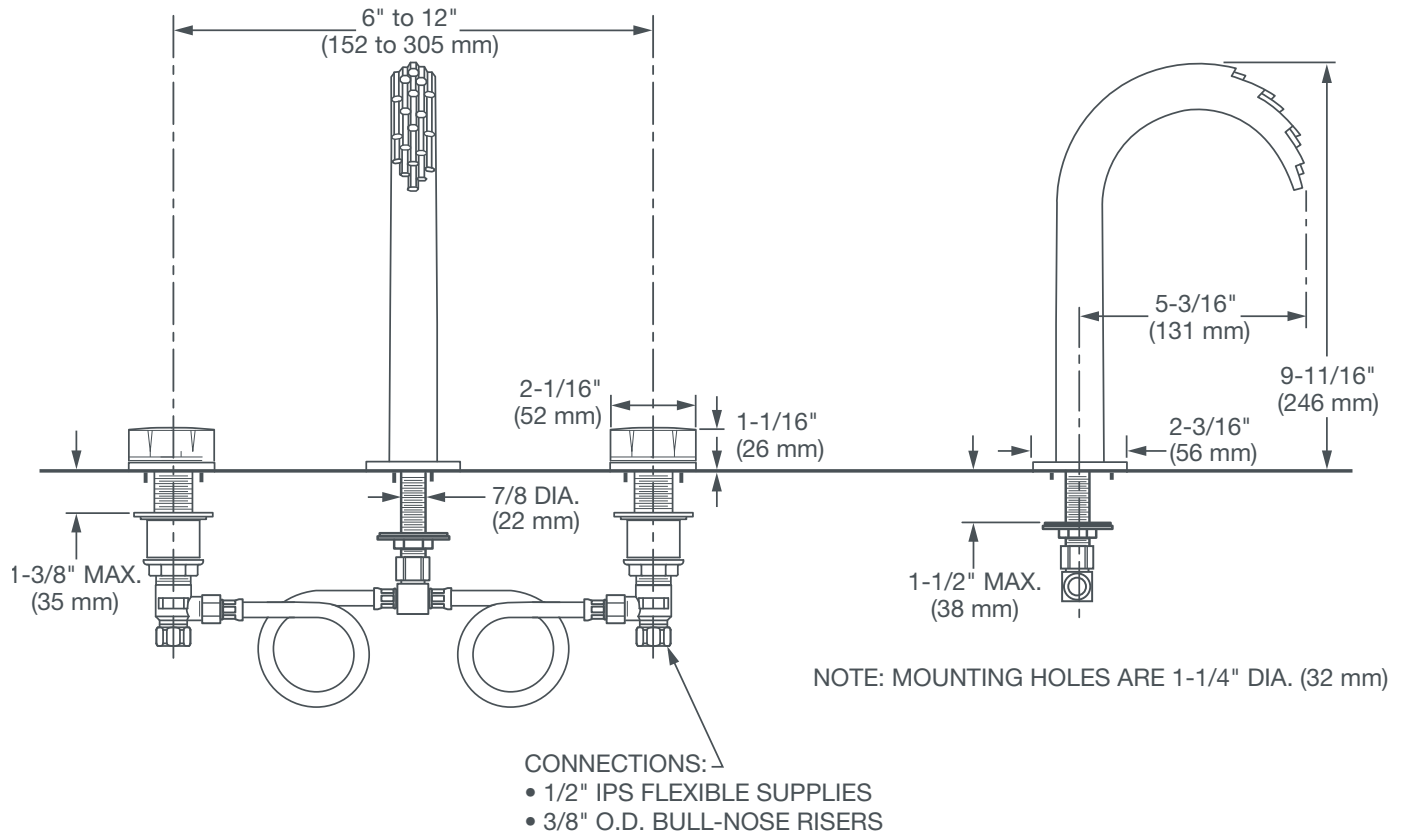
D31204801.435



ROUGH-IN DIAGRAM  
SHOWN ON NEXT PAGE

# SHADOWBROOK™

## WIDESPREAD LAVATORY FAUCET



**IMPORTANT:** These measurements are subject to change or cancellation. No responsibility is assumed for use of superseded or voided pages.