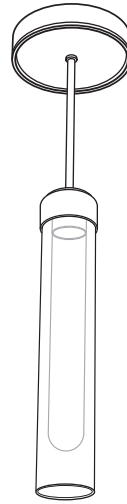


INSTALLATION INSTRUCTIONS

DXV Modulus™ Pendant Light

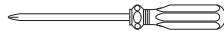
Model D19070000 Series



Thank you for selecting DXV. To ensure that your installation proceeds smoothly, please read these instructions carefully before you begin.

RECOMMENDED TOOLS AND MATERIALS

Most of the procedures require the use of common tools and materials, which are available from hardware and plumbing supply stores. It is essential that the tools and materials be on hand before work has begun.

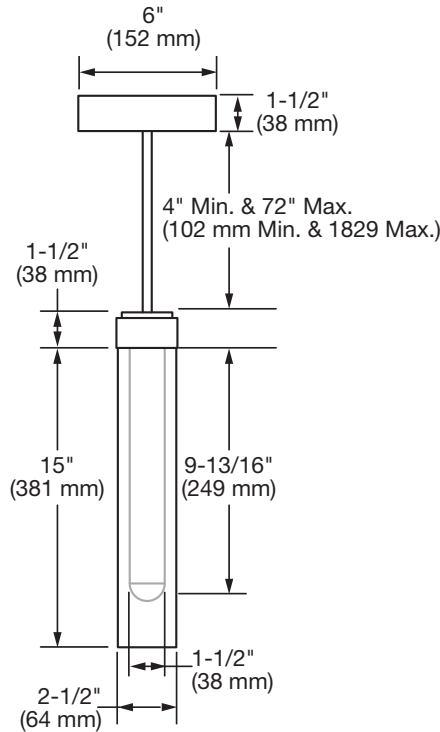


Phillips Screwdriver



Flat Blade Screwdriver

ROUGHING-IN DIMENSIONS:



In the United States:

DXV
One Centennial Avenue
Piscataway, New Jersey 08855
Attention: Director of Customer Care

For residents of the United States, warranty information may also be obtained by calling the following toll free number: (800) 227-2734
www.DXV.com

In Canada:

DXV
5900 Avebury Road
Mississauga, Ontario
L5R 3M3
Canada

Toll Free: 1-800-387-0369
Local: 905-306-1093
Fax: 1-800-395-1498
www.DXV.ca

In Mexico:

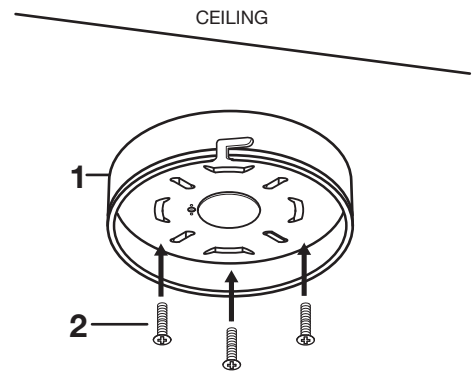
DXV
Via Morelos 330
Col. Santa Clara Coatitla
Ecatepec, Estado de México 55540

Toll Free: 01-800-8391200
www.DXV.mx

S A V E F O R F U T U R E U S E

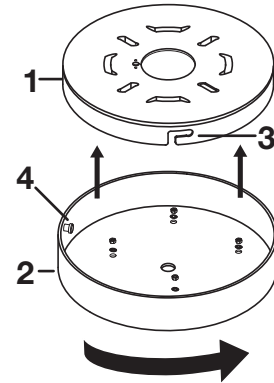
1

- Install MOUNTING PLATE (1) with MOUNTING SCREWS (2) into ceiling.



2

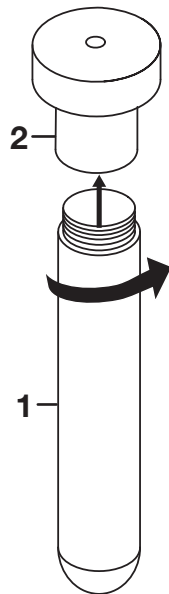
- Install ESCHUTCHEON (2) onto MOUNTING PLATE (1) by sliding NUT (4) into GROOVE (3) and lock it by turning it CLOCKWISE.



3

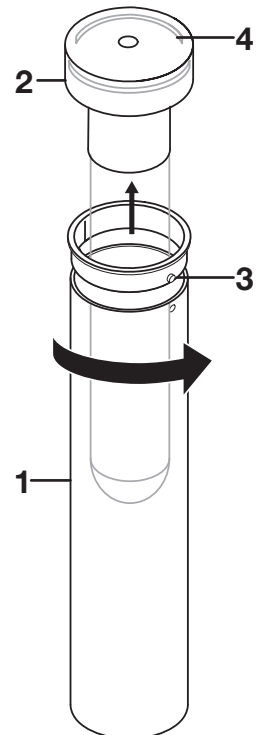
- Thread LED OPTIC (2) into LED SOCKET HOUSING (1).

NOTE: LED OPTIC need to be hand tighten.



4

- Slide GLASS DISFUSER (1) into COUPLING BASE (2).
- Install NUT (3) into GROOVE (4) and turn CLOCKWISE to secure the GLASS DISFUSER (1).





DXV Modulus™ Pendant Light

MODEL NUMBER

D19070000

Replace the "YYY" with
appropriate finish code

POLISHED CHROME	100
BRUSHED NICKEL	144
PLATINUM NICKEL	150
MATTE BLACK	243

