

INSTALLATION INSTRUCTIONS



Percy[®] Roman Tub Filler with Hand Shower

Tri-Spoke Handle

Model D35105970

Cross Handle

Model D3510594C

Cylinder Handle

Model D3510590C

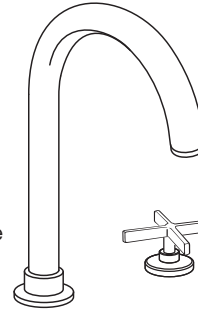
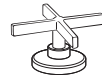
Tri-Stroke Handle



Cylinder Handle



Cross Handle



Thank you for selecting DXV. To ensure that your installation proceeds smoothly, please read these instructions carefully before you begin.

RECOMMENDED TOOLS AND MATERIALS

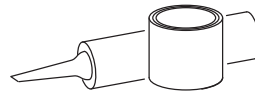
Most of the procedures require the use of common tools and materials, which are available from hardware and plumbing, supply stores. It is essential that the tools and materials be on hand before work is begun.



Channel Locks



Adjustable Wrench



Plumbers' Putty or Caulking



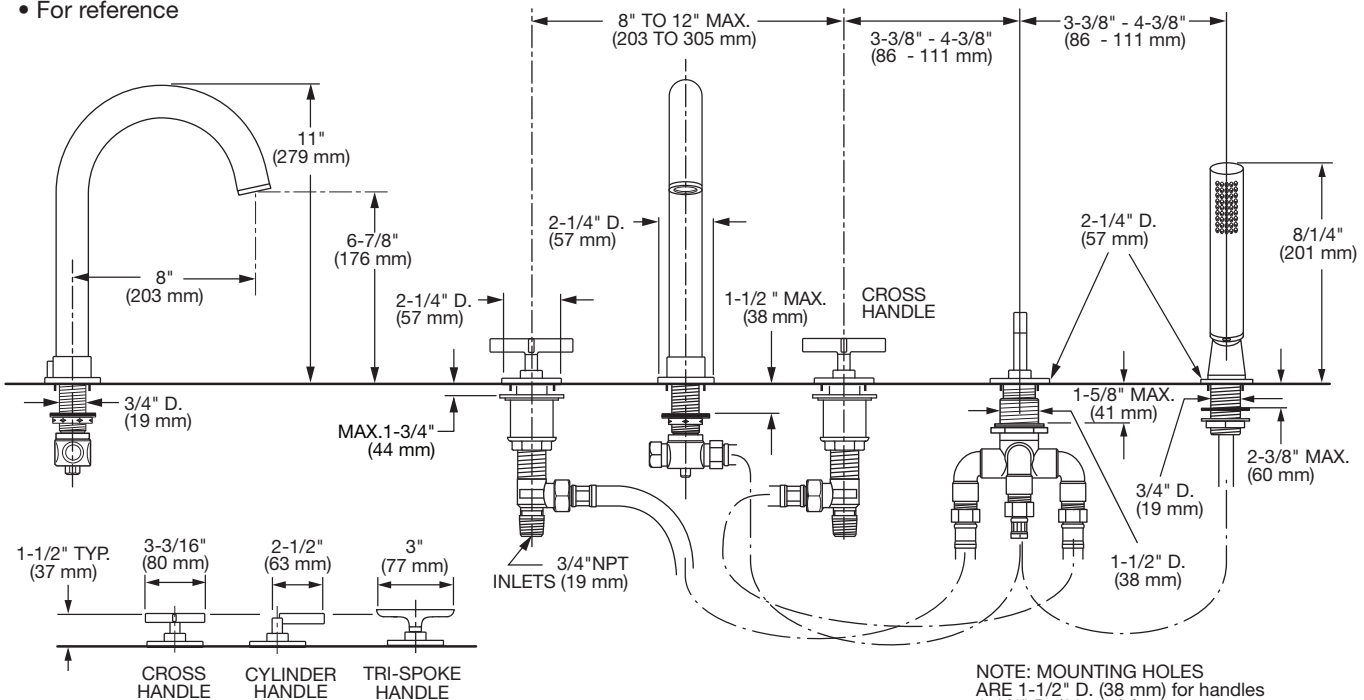
Phillips Screwdriver



Flat Blade Screwdriver

ROUGHING-IN DIMENSIONS:

- For reference



NOTE: MOUNTING HOLES ARE 1-1/2" D. (38 mm) for handles 1-1/4" D. (32 mm) for spout

In the United States:

DXV
One Centennial Avenue
Piscataway, New Jersey 08855
Attention: Director of Customer Care

For residents of the United States, warranty information may also be obtained by calling the following toll free number: (800) 227-2734
www.DXV.com

In Canada:

DXV
5900 Avebury Road
Mississauga, Ontario
L5R 3M3
Canada

Toll Free: 1-800-387-0369
Local: 905-306-1093
Fax: 1-800-395-1498
www.DXV.ca

In Mexico:

DXV
Via Morelos 330
Col. Santa Clara Coatitla
Ecatepec, Estado de México 55540

Toll Free: 01-800-8391200
www.DXV.mx

SAVE FOR FUTURE USE

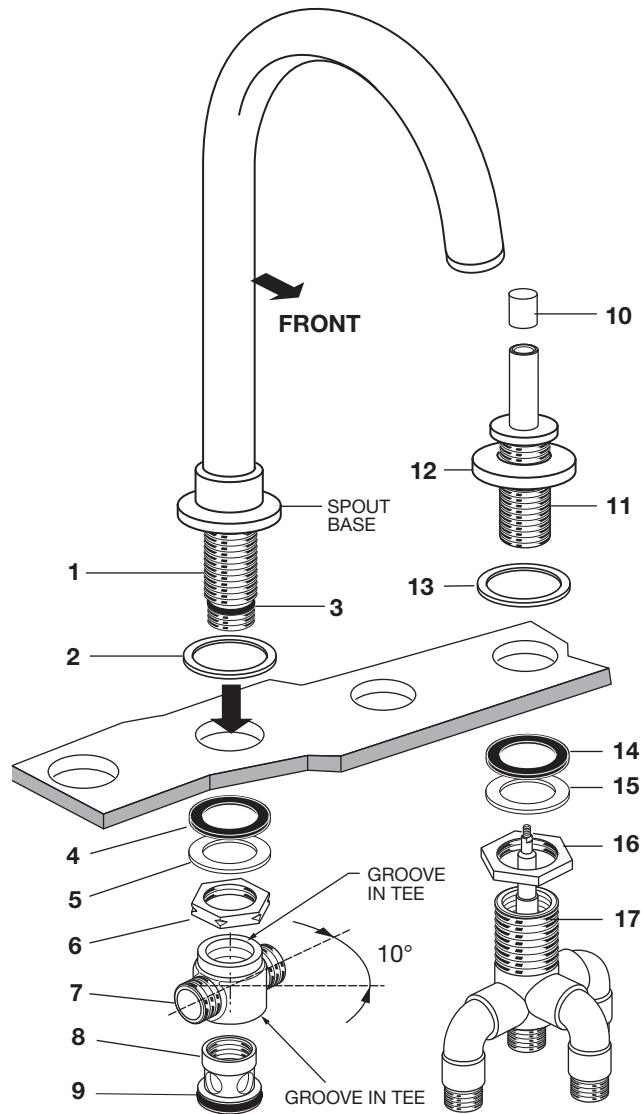
1 SPOUT AND T-PIECE ASSEMBLY

CAUTION Turn off hot and cold water supplies before beginning.

IMPORTANT NOTICE TO THE INSTALLER!

Please check with your local Code Authority for acceptable installation requirements for this Roman Tub set with hand shower. Some local codes may require a vacuum breaker and/or a pressure balanced mixing valve to be installed in conjunction with this product.

- T-PIECE (7) and COUPLING NUT (8) are factory pre-installed on SPOUT SHANK (1) and must be removed to install SPOUT SHANK (1).
- Insert SPOUT SHANK (1) through center hole of sink or mounting surface. Install WASHER (2) into base of spout.
- Assemble RUBBER WASHER (4), FIBER WASHER (5) and LOCKNUT (6) onto threads of SPOUT SHANK (1). Tighten firmly.
- Grease O-RING (3&9).
- Slide the T-PIECE (7) onto SPOUT SHANK (1) until it makes contact with the O-RING (3). Thread COUPLING NUT (8) onto SPOUT SHANK (1). Rotate T-PIECE (7) about 10 degrees from center and tighten securely. Make sure both O-Rings (3&9) are seated into grooves of T-PIECE (9) before assembly.
- Insert HOLDER (11) through hole of the ESCUTCHEON (12) and WASHER (13).
- Assemble RUBBER WASHER (14), FIBER WASHER (15) and LOCKNUT (16) onto threads of DIVERTER VALVE (17). Thread HOLDER (11) into DIVERTER VALVE (17).
- Set DIVERTER VALVE (17) so that their inlets are in line with T-PIECE (7) and Spray Holder and then tighten LOCKNUT (16). The outlet for connecting the spout should face the front.
- Thread on DIVERTER KNOB (10).



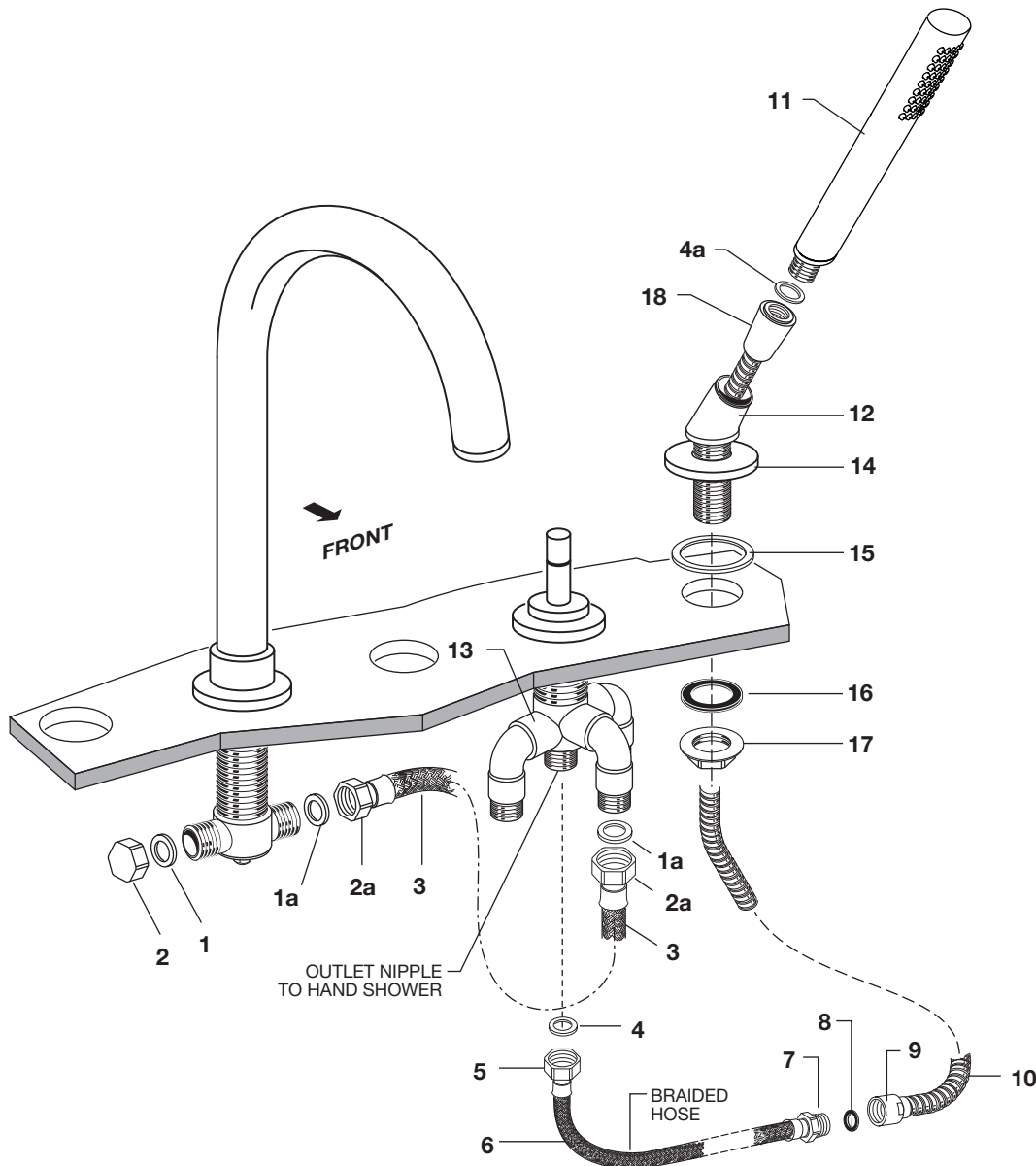
2 HOSE ASSEMBLY

- Insert FIBER WASHER (1) into COUPLING NUT (2) and thread onto T-PIECE and tighten.
- Insert FIBER WASHER (1a) into COUPLING NUT (2a) of SUPPLY HOSE (3) and tighten.

2a HAND SHOWER ASSEMBLY

Note: Back flow prevention and 2.5 GPM flow restrictions are included with all Deck Mount Tub Filler sets with hand shower.

- Drop SPRAY HOLDER (12) through ESCUTCHEON (14) WASHER (15) and into the fifth hole of the tub ledge or mounting surface (14" [356 mm] max. from SPOUT center) directed towards tub. Install RUBBER WASHER (16) and LOCKNUT (17) from underside of mounting ledge. Secure SPRAY HOLDER (12) by tightening LOCKNUT (17).
- Install SEAL WASHER (4) and connect COUPLING NUT (5) of BRAIDED HOSE (6) to outlet nipple on DIVERTER (13). Tighten firmly.
- Slip SHOWER HOSE (10) with COUPLING NUT (9) through installed SPRAY HOLDER (12).
- Install SEAL (8) into COUPLING NUT (9). Connect COUPLING NUT (9) to HOSE NIPPLE (7) and tighten.
- INSTALL second SEAL (4a) and connect HAND SHOWER (11) to SPRAY HOSE END (18). Hand tighten.



3 INSTALL VALVE BODIES and HANDLES

- Thread LOCKNUT (1) to bottom of VALVE BODY (2). Make sure SPACER (3), BRASS WASHER (4) and RUBBER WASHER (5) are installed.
- Insert VALVE BODY (2) through mounting hole from underside of tub deck or mounting surface.

Note: VALVE BODY marked Hot (Red Dot) is installed in the left Mtg. hole, VALVE BODY marked Cold (Blue Dot) in the right when facing front of fitting. Maximum mounting surface thickness is 1-3/4".

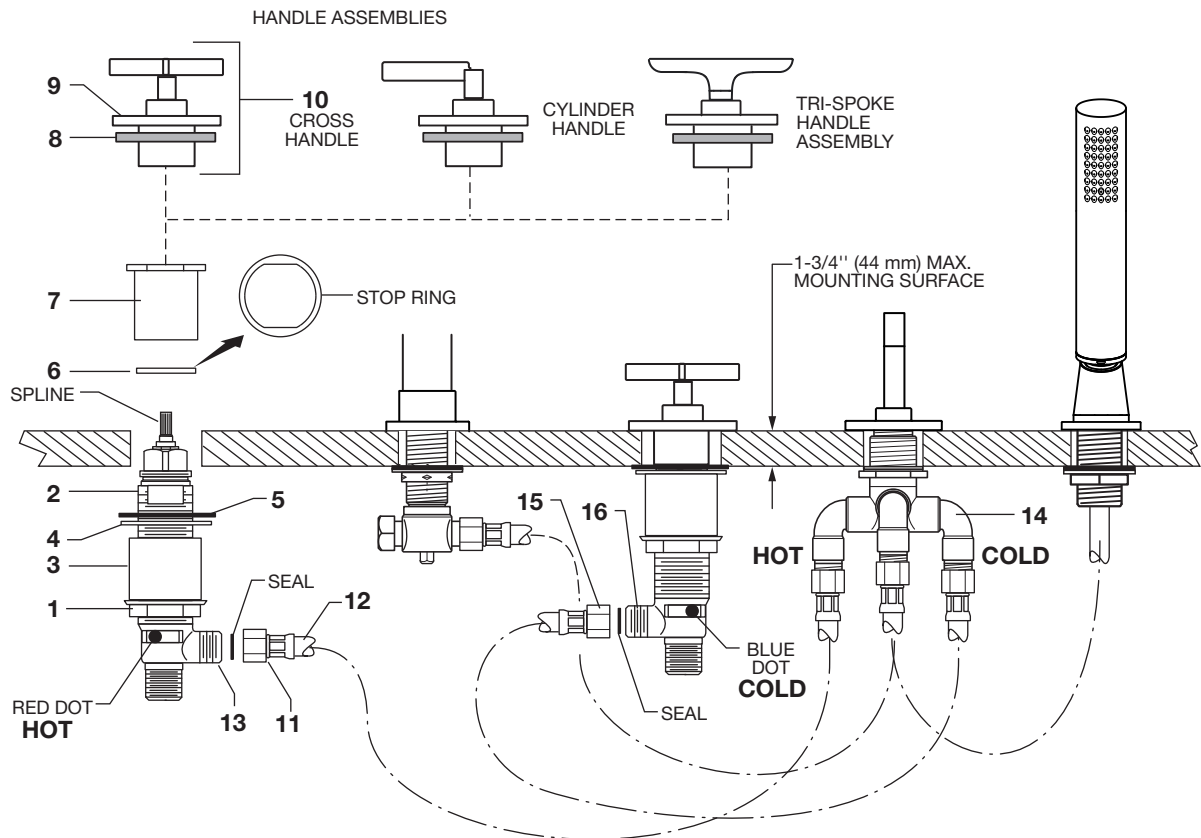
- Install STOP RING (6) onto VALVE BODY (2). Thread FLANGE (7) onto VALVE BODY (2) until tight against the STOP RING (6).
- Align VALVE BODY (2) and from below tighten LOCKNUT (1) to secure VALVE BODY (2).

INSTALL HANDLES:

- Install SEAL (8) into base of HANDLE ESCUTCHEON (9). Turn VALVES to off position.
- Align HANDLE ASSEMBLY (10) and push down onto spline of VALVE BODY (2). Thread HANDLE ESCUTCHEON (9) tight against mounting surface. Installation for the Cold Water Valve is the same.
- All HANDLE ASSEMBLIES install in the same way.

HOSE CONNECTIONS:

- Tighten COUPLING NUT (11) on SUPPLY HOSE (12) to OUTLET (13) making a water tight connection.
- Tighten other end of SUPPLY HOSE (12) to HOT side of DIVERTER VALVE (14).
- Connect the COLD water SUPPLY HOSE (15) to OUTLET (16) and to the cold side of DIVERTER VALVE (14).

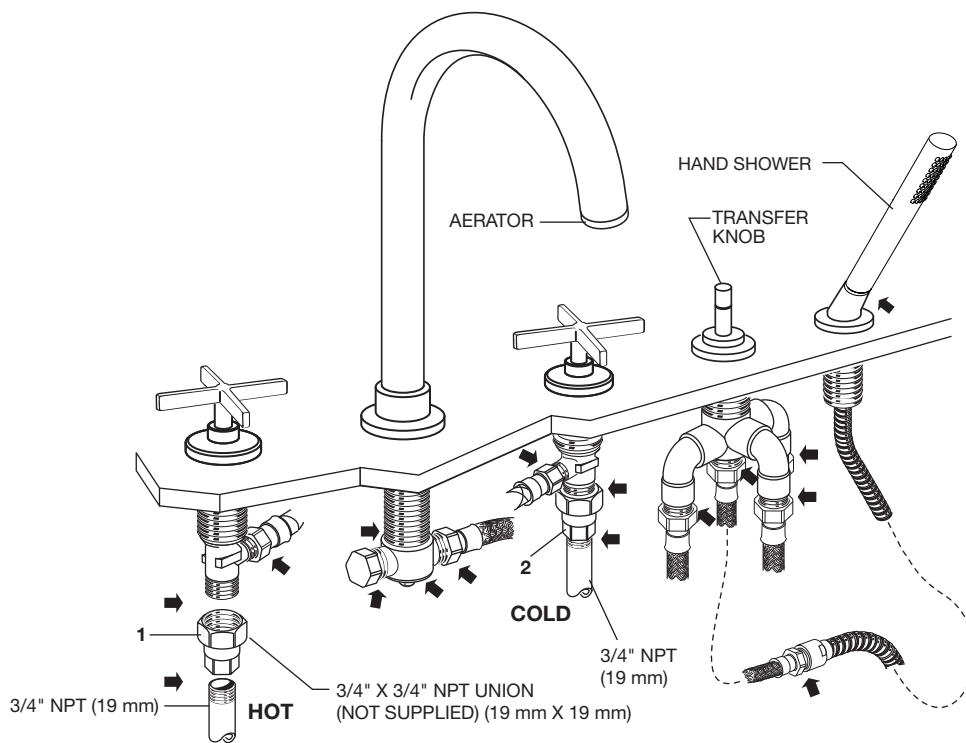


4 MAKE WATER SUPPLY CONNECTIONS

- Connect HOT water supply to LEFT INLET UNION (1) and COLD water supply to RIGHT INLET UNION (2). Pipe connections are 3/4" (19 mm) NPT. Use sealant or Teflon tape on pipe connections.
Do not solder directly to valve body.

4a TEST INSTALLED FAUCET

- Remove AERATOR from FAUCET.
- With HANDLES in OFF position, turn on WATER SUPPLIES and check all connections for ➡ leaks.
- Operate both HANDLES to flush water lines thoroughly.
- Replace AERATOR.
- Lift HAND SHOWER from HOLDER, direct spray into tub. Lift TRANSFER KNOB to check HAND SHOWER and HOSES for ➡ leaks.
- Turn handles "off" and replace HAND SHOWER.



IMPORTANT: It is strongly recommended that access be provided for all enclosed mechanical parts to this system.

DXV

Percy® Roman Tub Filler with Hand Shower

MODEL NUMBERS

Tri-Spoke Handle
D35105970
Cross Handle
D3510594C
Cylinder Handle
D3510590C

Replace the "YYY" with
appropriate finish code

POLISHED CHROME	100
BRUSHED NICKEL	144

