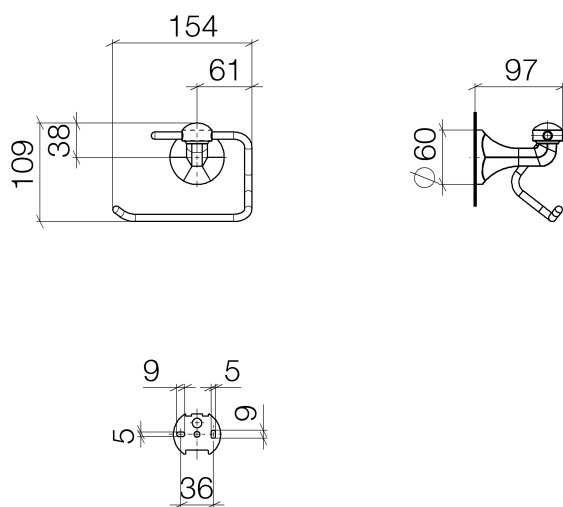
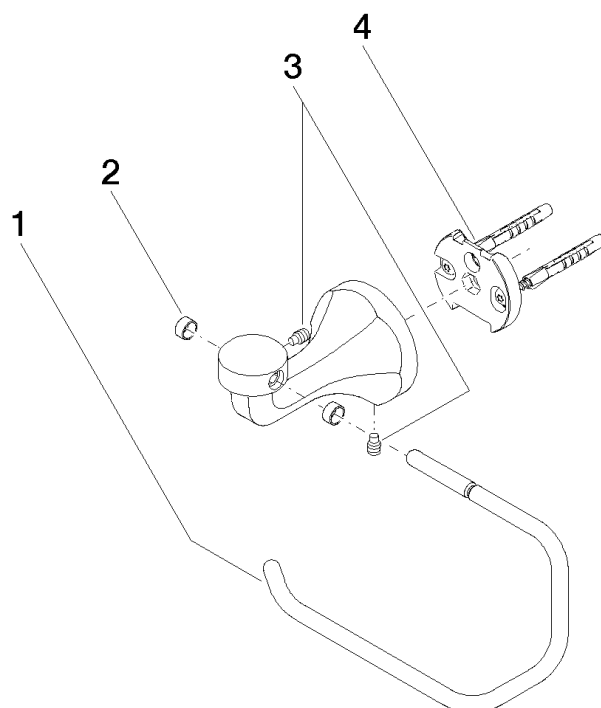


Madison Madison Flair Accessories Tissue holder without cover

Article number: 83500361



Exploded assembly drawing



Madison Madison Flair Accessories Tissue holder without cover

Article number: 83500361



Order quantity

No.	Article number	Name	Installation quantity
1	081870501ff	bow	1
2	08184050590	sleeve	2
3	09311114090	pin	2
4	0517975070090	fixing set	1