

Installation of Schmidlin URBAN CLASSIC bathtub with integrated apron















Important Notice

Please read carefully these installation instructions prior to installing the Schmidlin bathtub.

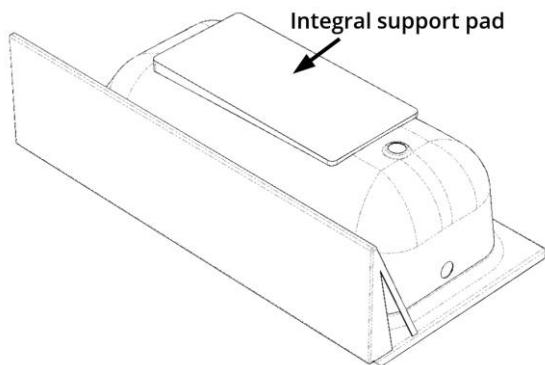
Not every possible circumstance can be anticipated that might involve a potential hazard during the usage of the Schmidlin products.

WARNING: Risk of personal injury and possible drowning. Imprudent use of the bathtub may result in the risk of injury or drowning. Do not leave children unattended by an adult during a bath. Elderly and handicapped persons and persons restricted in their movement should take special care when using a bath.

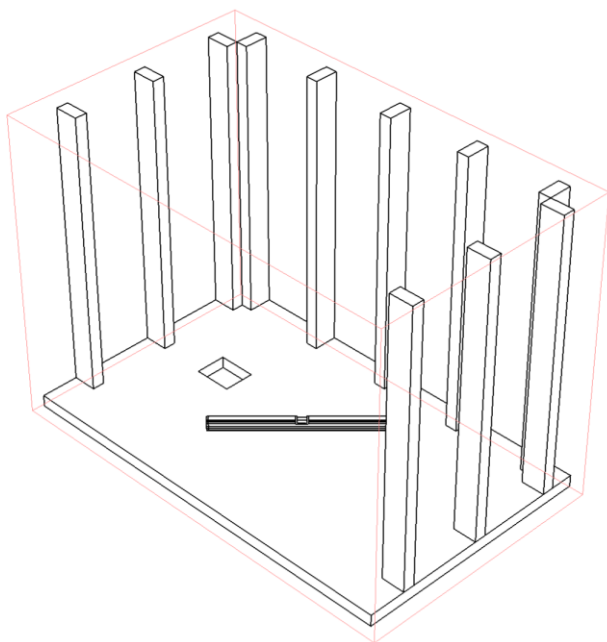
Required Tools

				
Screw gun	Screw driver	Needle nose pliers	Channel lock	Tape measure
				
4' level		Wood shims	Plumbers putty	Blanket
				
Utility knife	Drywall screws	Deck screws	Tape	Overflow drain

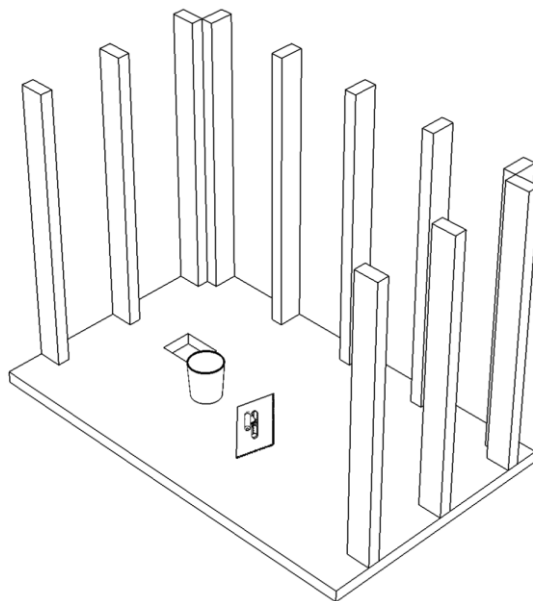
1. Schmidlin bathtub with integral support pad for easy installation



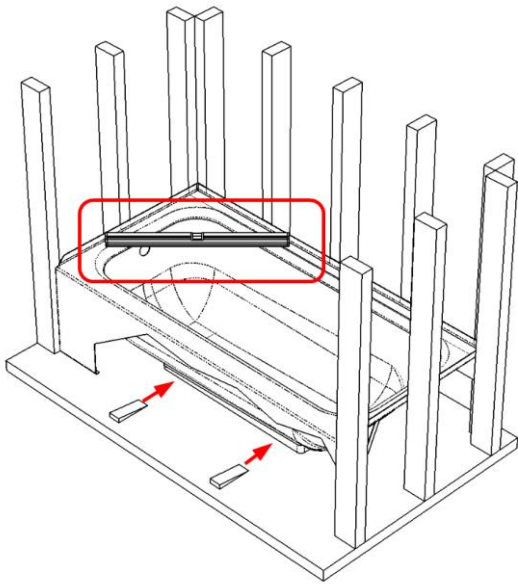
2. Use level to make sure surface is even



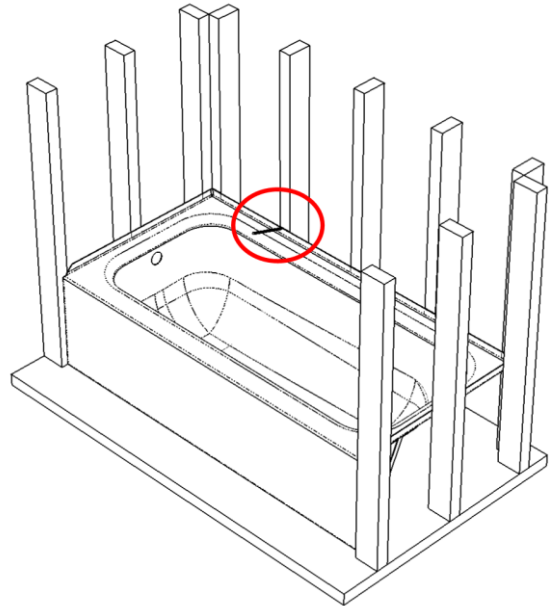
3. Use plumbers' putty to fix floor damages



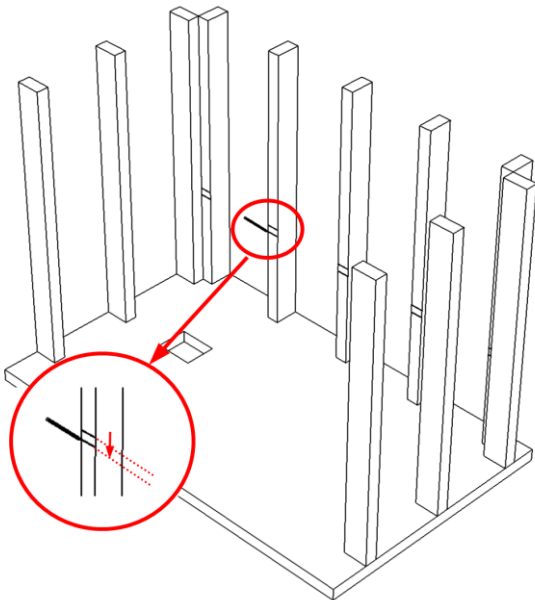
5. Level tub with wooden shims



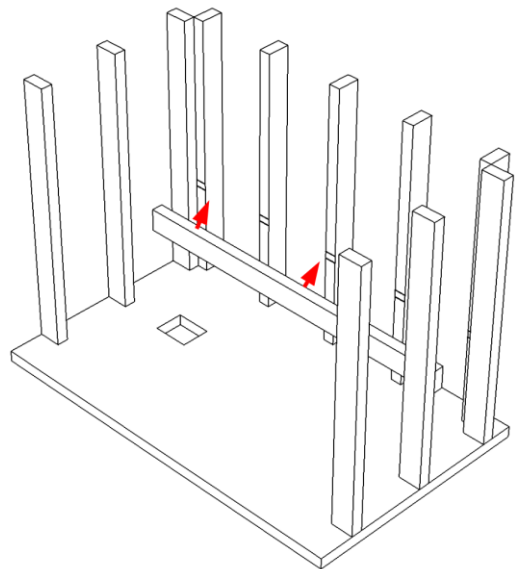
6. Install tub and mark top of tile flange with pen



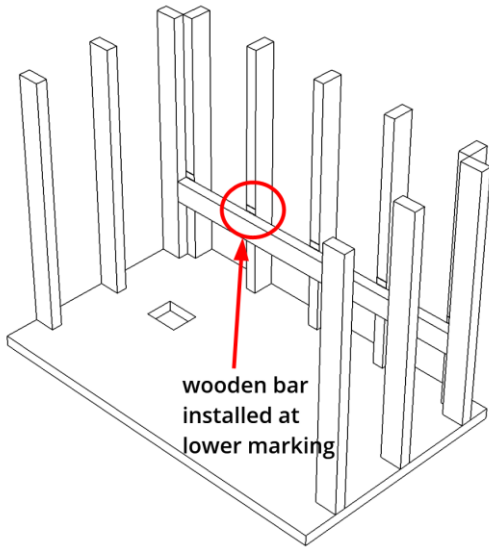
7. Measure tile flange height and mark distance from top marking on studs



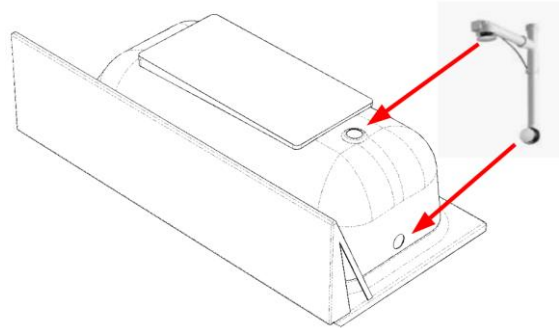
8. Install wooden support bar on backwall



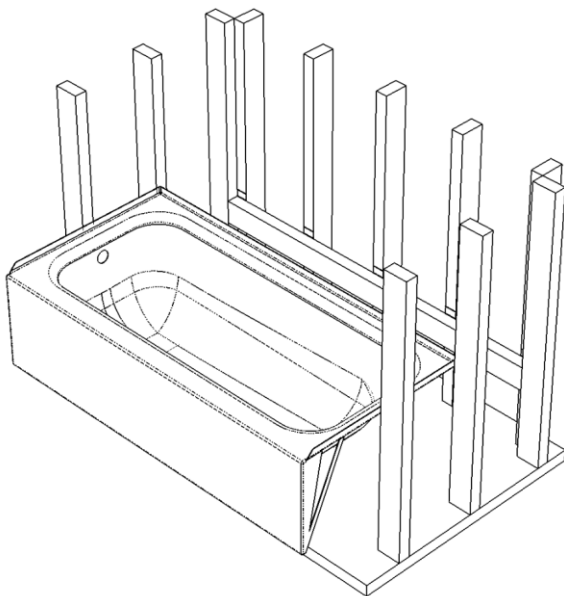
9. Make sure bar is installed at lower marking



10. Install overflow drain kit on tub



11. Install tub in alcove



12. Install mounting angles or washers on studs

