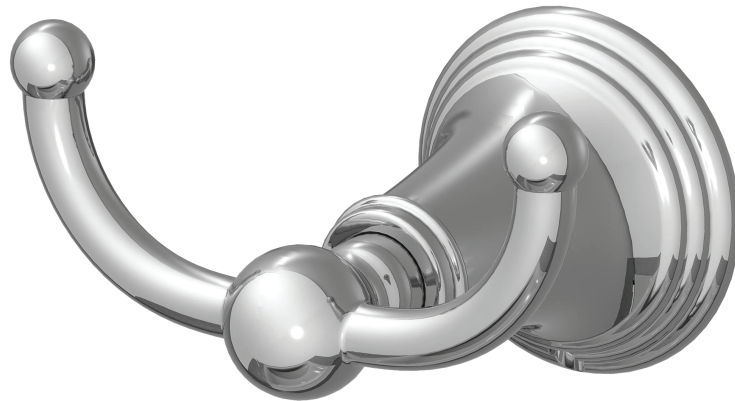


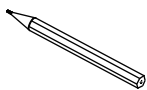
Berea Robe Hook

11-51

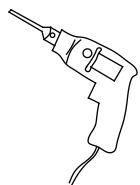
Installation Instructions



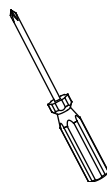
Tools You Will Need



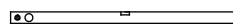
Pencil



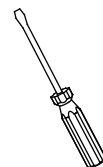
Drill



Philips Screwdriver



Level



Flat Head Screwdriver

For ease of installation you will need:

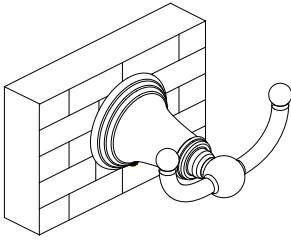
- To read the installation instructions completely before beginning.
- To read all warnings, care, and maintenance information.

Before beginning installation, check for any damage that may have occurred during transport.

Note: Damage claims cannot be made during or after installation.

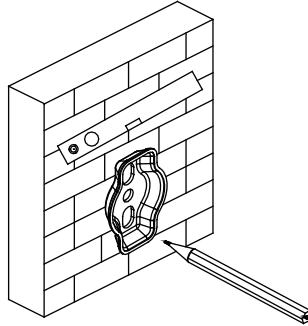
Installation Instructions

1



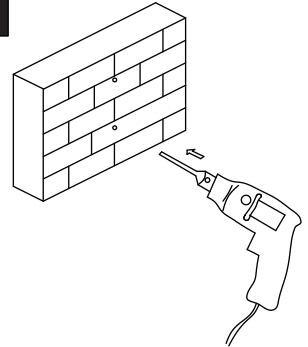
Determine the location of the robe hook.

2



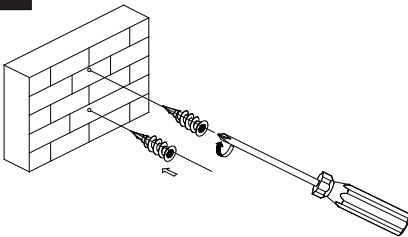
Align bracket and mark drill holes in desired location

3



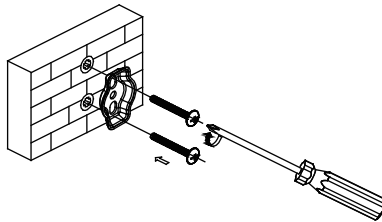
Drill 1/4" holes in marked locations

4



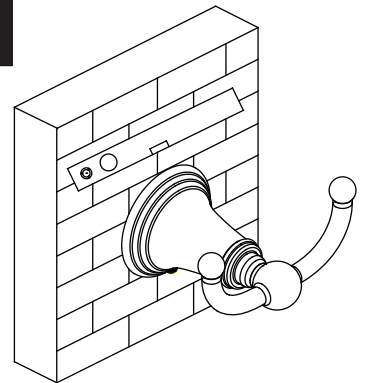
Drive the wall anchors into the drilled holes with a Phillips screwdriver.

5



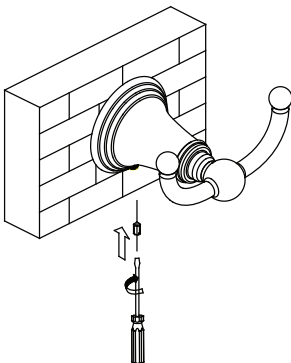
Place the mounting bracket over the wall anchors. Secure it to the wall using the supplied screws.

6



Temporarily place the robe hook on the mounting bracket to check alignment. If necessary, loosen the screws and realign the mounting bracket.

7



Place robe hook on the mounting brackets. Secure it to the wall using the bottom set screw.

Cleaning Instructions

Rinse away any traces of soap and gently dry with a clean, soft cloth after each use. Rinse completely with water and dry any overspray. This will maintain the finish and avoid water spotting.

To remove mineral deposits, use a 50/50 solution of white vinegar and water. Do not allow the solution to soak on the product. Simichrome Polish® contains a protective film to enhance maintenance and is helpful in preventing water spot buildup. Follow instructions to ensure optimum results.

Never use an abrasive material such as a brush or scouring pad to clean the surface. The use of abrasive cleaners, cleansers or disinfectants will alter the surface finish and void the warranty.

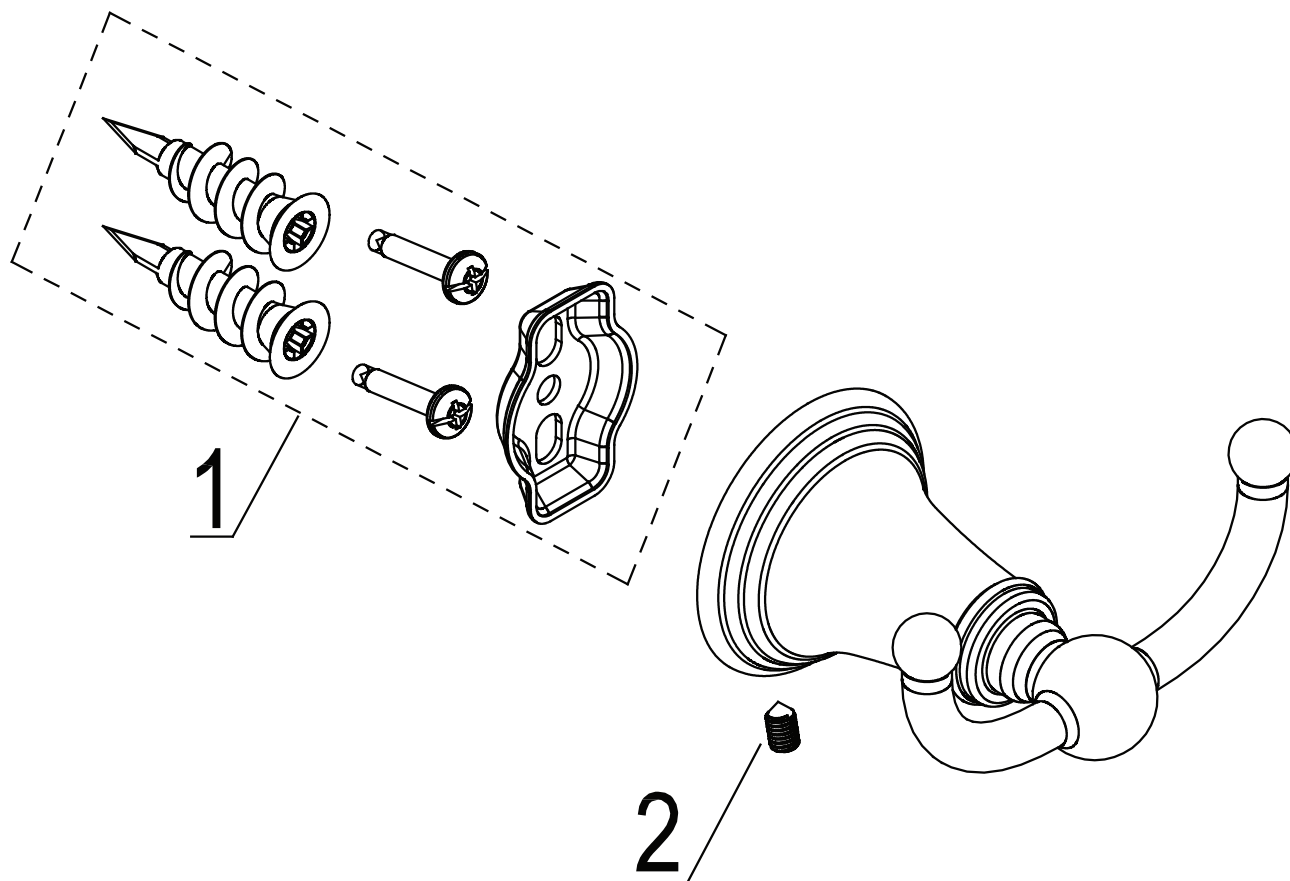
Do not allow certain materials such as toothpaste, cologne, shaving cream, nail polish remover, vinegar, wine, drain and glass cleaners to remain on the surface. Prolonged contact will alter surface finishes and void the warranty.

We DO NOT recommend using any household cleaners as many can cause damage to the finish.

Please see the website for care instructions for specific finishes.

Replacement Parts

No.	Description	Part No.
1	Mounting screws, anchors & plate	00071
2	Post set screw	00309

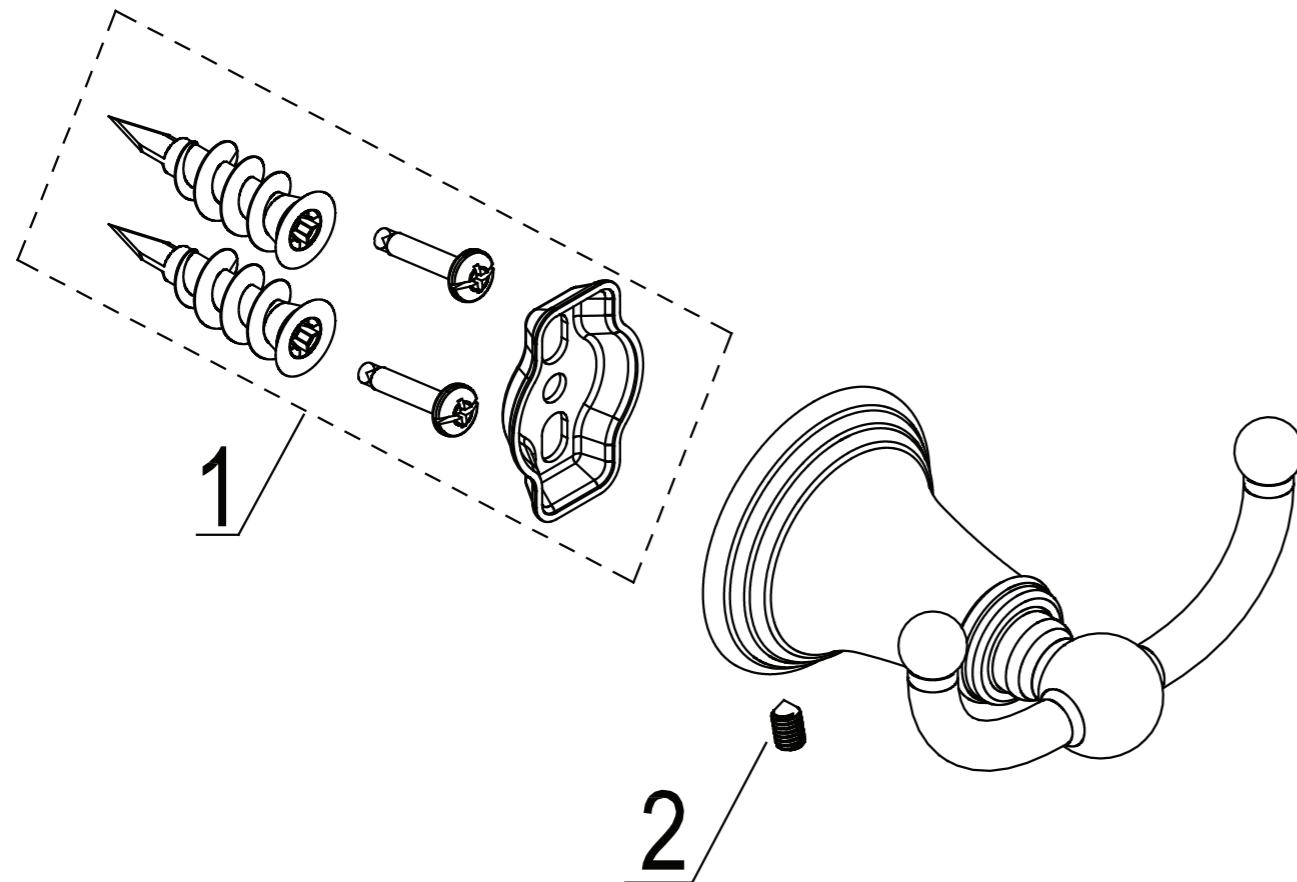


Cleaning Instructions

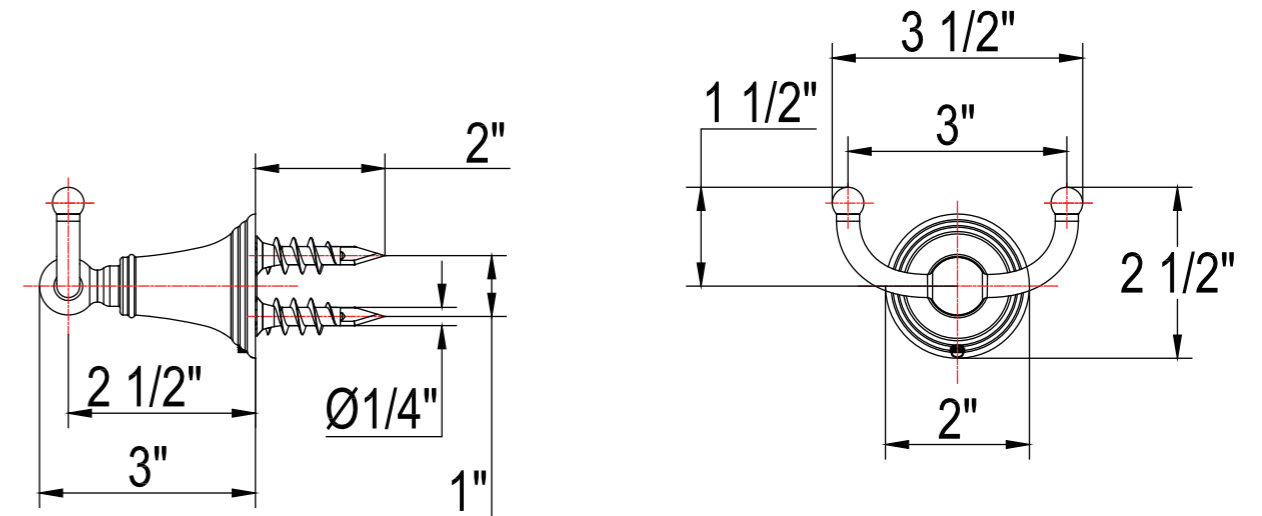
- Only use a soft, dampened sponge or cloth to clean and polish the fixture.
- Wipe fixtures and the immediate areas clean and rinse completely with water immediately after installation and after applying any cleaner.
- If you are using a cleaning compound on or close to the product, please test the compound on a hidden area of the trim to ensure it will not damage the finish.
- Do not allow cleaners to soak anywhere on the product.

Replacement Parts

No.	Description	Part No.
1	Mounting screws, anchors & plate	00071
2	Post set screw	00309



Installation Dimensions



Warranty - This **Crosswater London** product is covered by a limited lifetime warranty. For full details, terms and conditions please visit our website. For further information contact: **Crosswater London**, 393 Fortune Blvd., Milford, MA 01757 www.crosswaterlondon.com
Toll free number: 844-XWATER-1 (844-992-8371) tel: 508-381-0433 fax: 508-381-6068 email: technical@crosswaterlondon.com