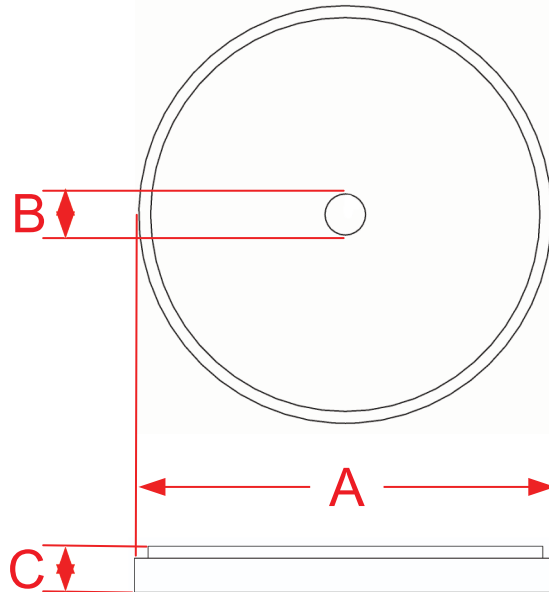


# 9620, 9621 and 9622 Cabinet Backplate

Finishes for Life  
TARNISH-FREE GUARANTEED



|                         | A        | B               | C          |
|-------------------------|----------|-----------------|------------|
| Part #                  | Diameter | Center Diameter | Projection |
| 9620                    | 1.2500"  | 0.1730"         | 0.1875"    |
| 9621                    | 1.5000"  | 0.1730"         | 0.1875"    |
| 9622                    | 1.7500"  | 0.1730"         | 0.1875"    |
| Custom Sizing Available |          |                 |            |



Manufacturing Fine Architectural Hardware  
in the USA Since 1927



Copyright 2015  
Colonial Bronze Company  
All rights reserved  
[www.colonialbronze.com](http://www.colonialbronze.com) -  
860.489.9233