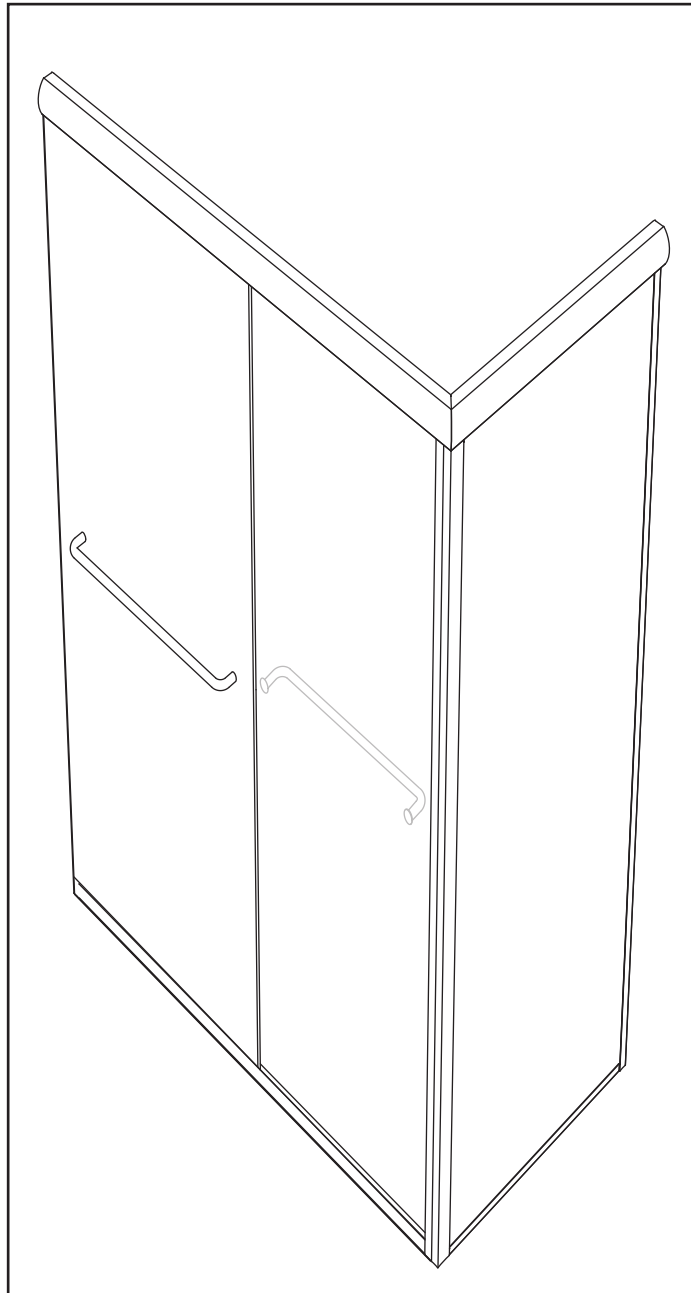
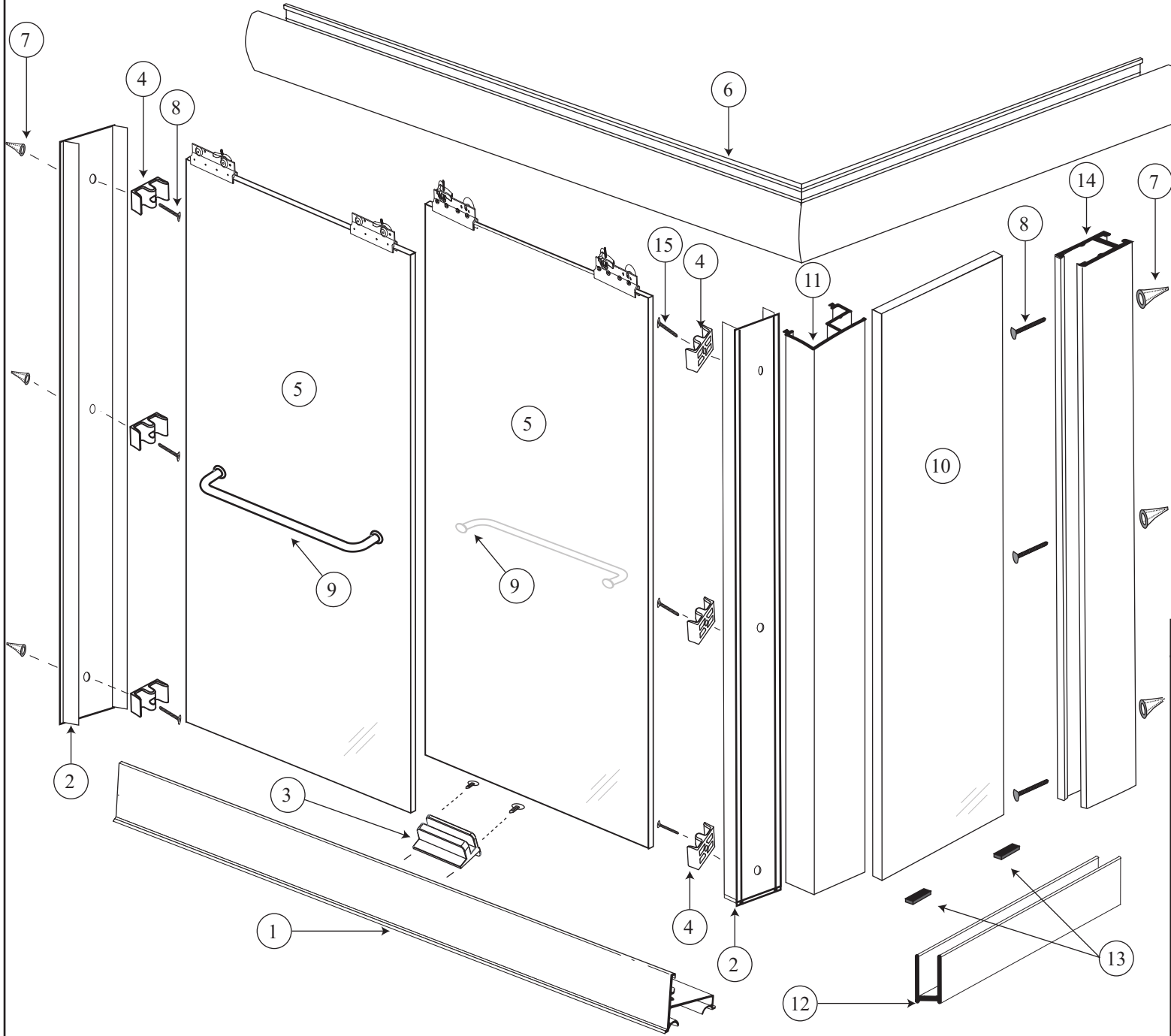


CT-636/CS-1648
Centec Frameless sliding Door
Installation Guide



Detailed diagram of CT-636/CS-1648 components

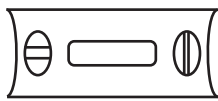


#	Part Name	Qty
1	Door track	1
2	Wall jamb	2
3	Track guide	1
4	Rubber bumpers	6
5	Glass door	2
6	Header	1
7	Plastic wall anchors	6
8	1-1/4" wall mount screws	6
9	Tower bar kit	2
10	Sidelight glass panel	1
11	Transition channel upright	1
12	Threshold	1
13	Thick vinyl shims	2
14	Wall channel upright	1
15	#8 x 1/4" panhead screws	3

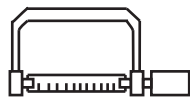
Tools required



Tape Measure



Level



Hacksaw



Safety glasses



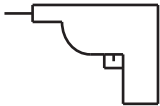
Drill bits (2) (#32 metal bit, 3/16" carbide masonry bit)



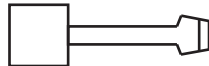
Masking tape



Scissors



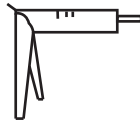
Drill



Flat head and
Phillips head
Screwdriver



Pencil/Marker



Caulking gun



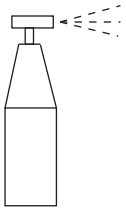
Rubber mallet



Piece of carpet/ padding



Glazing block/
piece of wood
(2"x 4")



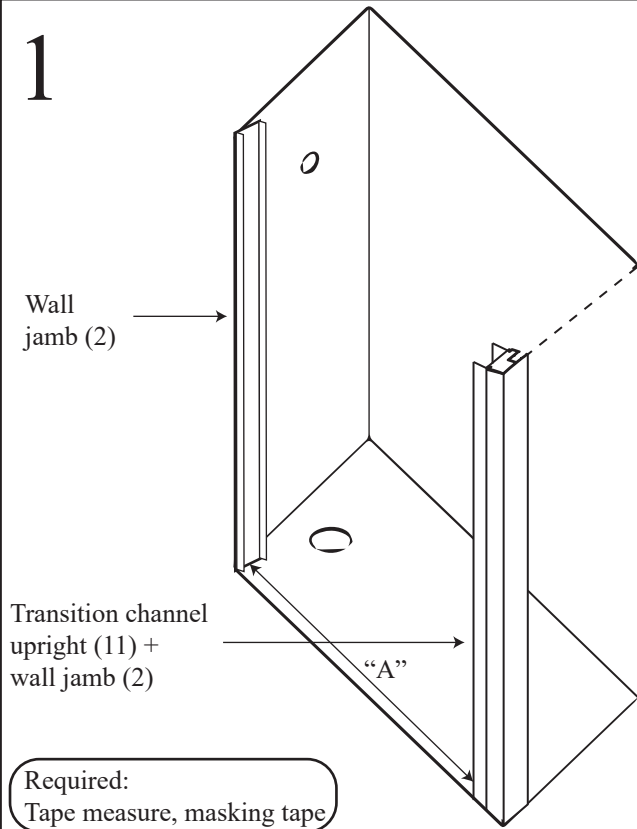
Windex



WARNINGS

- **Before starting, please read instructions carefully and thoroughly; then proceed step by step.
- **Please wear safety glasses and safety gloves whenever drilling or cutting tile or handling metal/glass parts.
- **When drilling through tile, carefully break through glazed surface only with sharp tool and then drill slowly.
- **Wall uprights must be installed level and plumb. Do not follow grout lines.
- **To insure complete customer satisfaction Century Bathworks recommends installation by a professional.
- **Risk of injury or product damage. Two people should perform this installation.
- **Do not cut the top and bottom track the same length for this installation.
- **Please carefully unpack all parts for your unit as listed on previous page and also check that you have all the tools as listed above.
- **If any parts are missing or damaged, please contact Century Bathworks or your dealer for replacements.

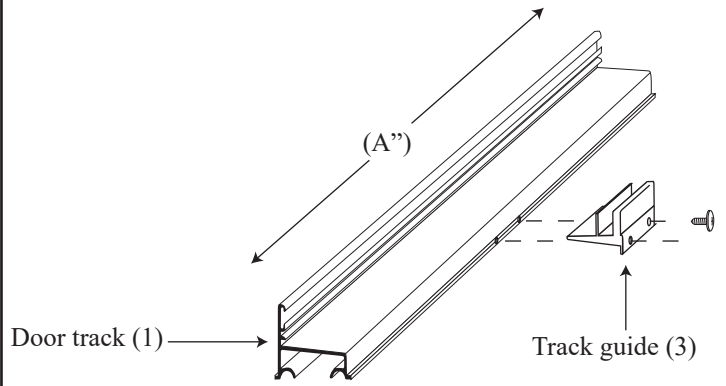
1



Required:
Tape measure, masking tape

- Slide the panel side wall jamb into the transition channel upright.
- Place the above parts as shown and tape into place. Tape transition channel at the bottom or let someone hold it temporarily.
- Note distance "A" between the inside of the wall jambs at the base.

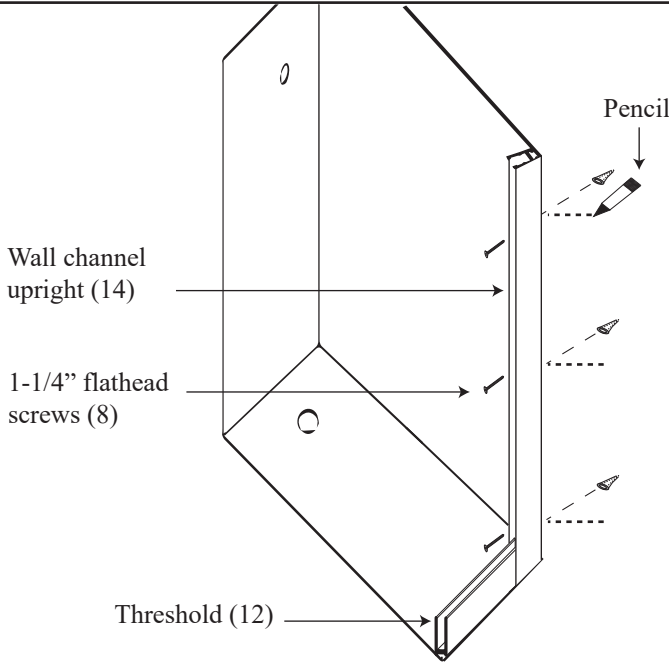
2



Required:
Tape measure, hacksaw, pencil, screwdriver, drill

- Consider the length "A" and cut the door track.
- Locate the center of the door track and position door guide.
- With the guide in position, mark holes and drill using #32 drill bit through the inside leg.
- Fasten the screws with short #6 x 3/8" screws.

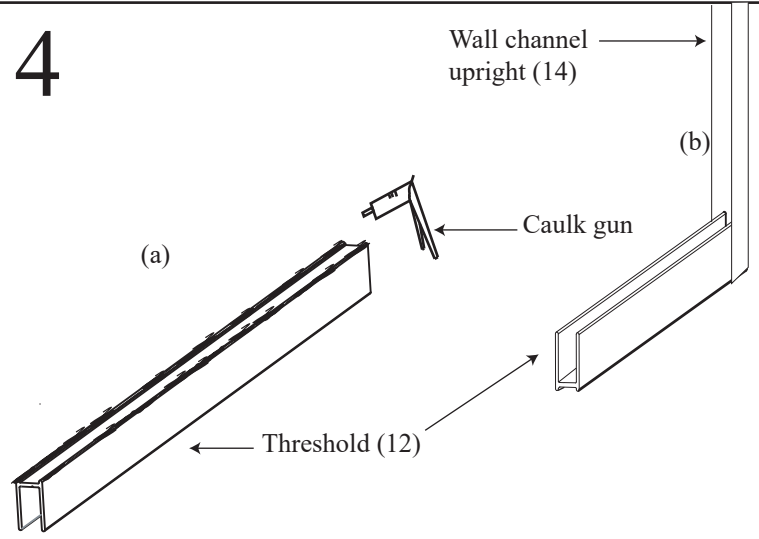
3



Required:
Pencil, drill, masking tape, drill, screwdriver

- Place the wall channel upright sticking to the wall. Hold in place with masking tape. Make sure it is level and plumb. Mark holes on the wall. Remove wall channel upright and threshold. Drill holes with 3/16" carbide masonry drill bit. Insert plastic wall anchors. Remove all the wall debris.
- Insert plastic wall anchors into the wall and then screw wall channel upright into place with 1-1/4" flathead screws.

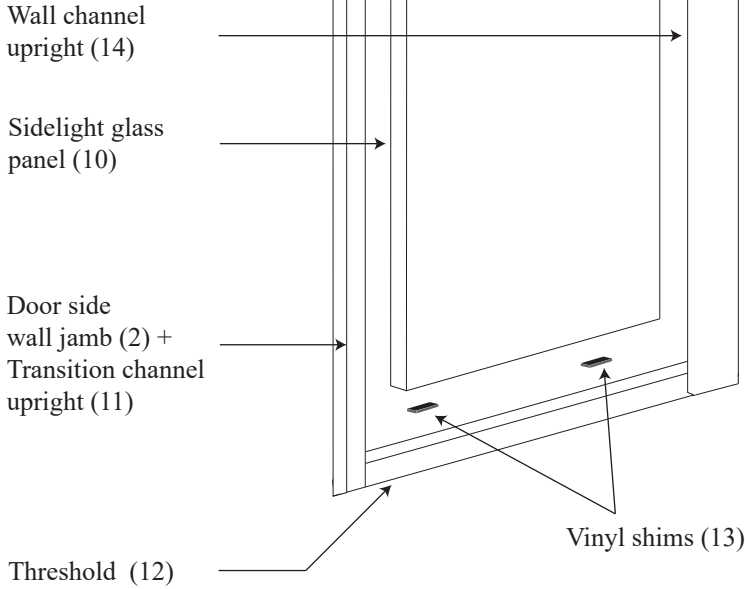
4



Required:
Caulk gun

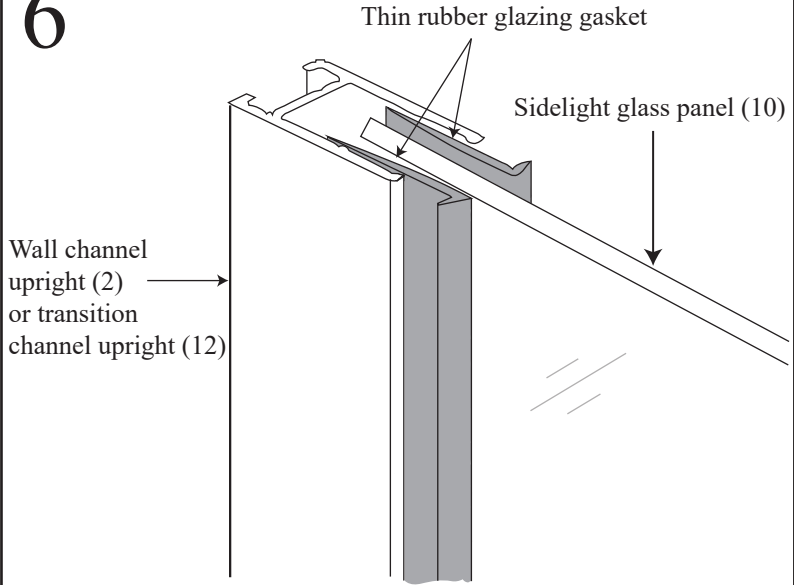
- Apply a thin ribbon of caulk to both caulking channels on the bottom of threshold (a)
- After caulking, place threshold inside the wall jamb on the base surface.

5



- Place vinyl shims completely inside threshold to cushion the bottom of the sidelight glass panel.
- Place sidelight glass panel on vinyl shims completely inside wall channel upright.
- Slide transition channel upright + wall jamb at the corner of the unit.

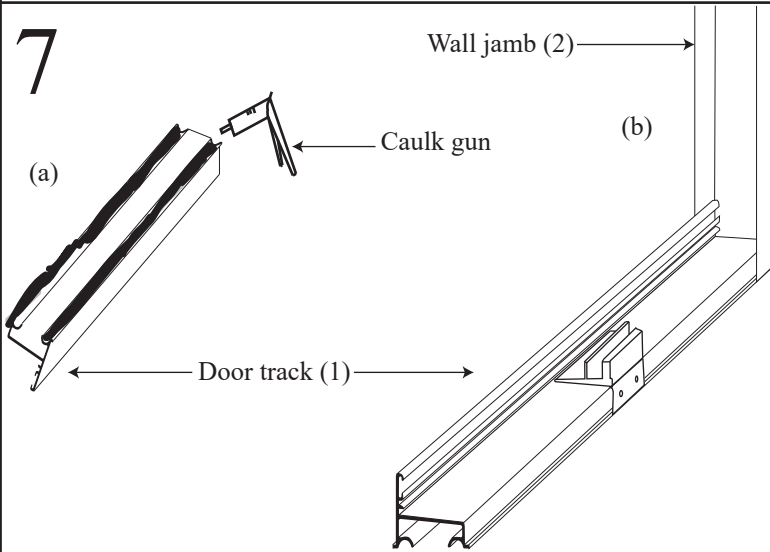
6



Required:
Glazing block or piece of wood

- Measure the thin rubber glazing gaskets for the vertical sides of the sidelight glass with an inch or two extra. From the top, insert between sidelight glass panel and wall channel upright (inside and outside).
- Do not stretch rubber, leave long.
- Tap glazing gaskets with glazing block or piece of wood
- ** Use windex, if having difficulty while inserting rubber glazing gasket

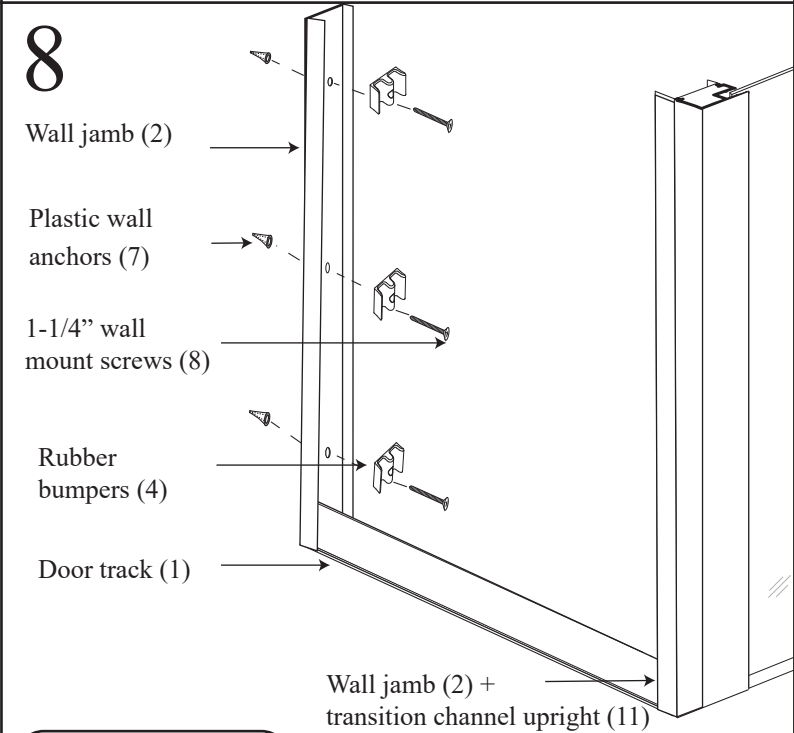
7



Required:
Caulk gun

- Apply a thin ribbon of caulk to both caulking channels on the bottom track (a).
- After caulking, place the door track and wall jambs on the base surface.

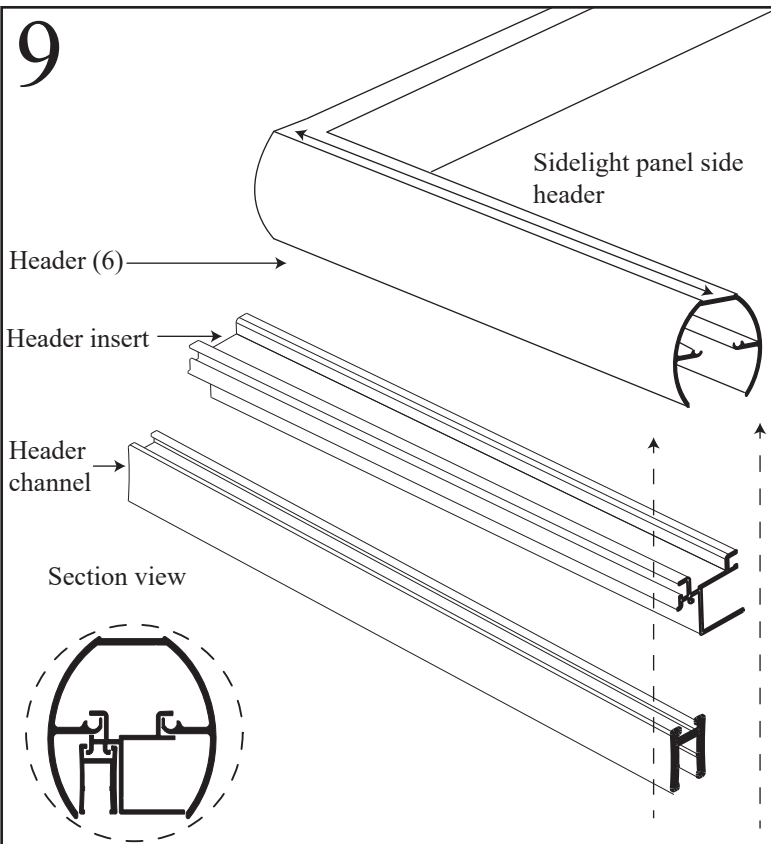
8



Required:
Caulk gun, screwdriver

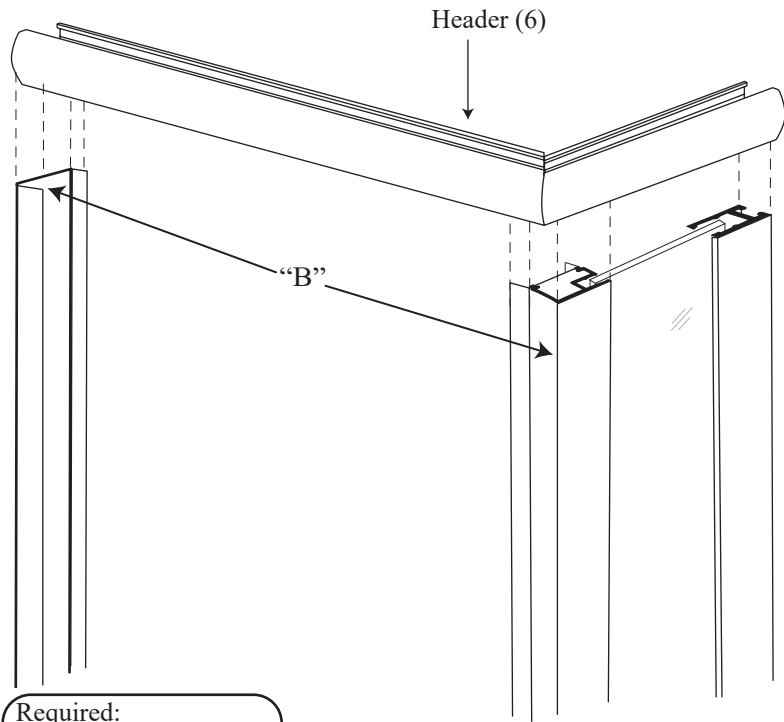
- Insert plastic wall anchors in the drilled wall holes from step 3. Place the wall jambs sticking to the wall.
- Fix bumpers in position with 1-1/4" screws for wall jambs. Do not over tighten.
- Caulk the inside corner where the wall jamb caps over the bottom track.

9



- Consider end of the header unit to fit on the sidelight glass panel.
- Slide header insert and header channel in the header.

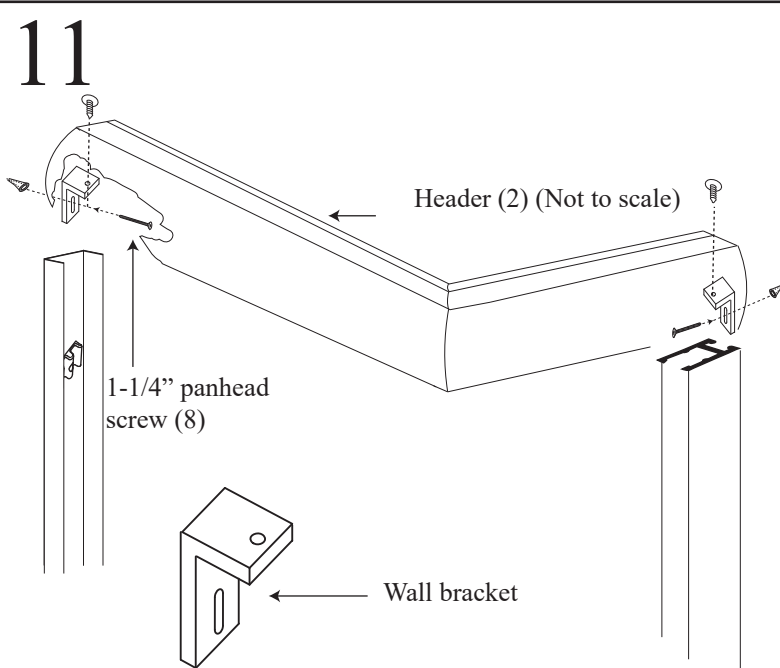
10



Required:
Tape measure, hacksaw

- Measure the distance "B" between the wall at the top of the unit.
- Cut the header and place it on top.
- Check fit, do not fix the header at this step.

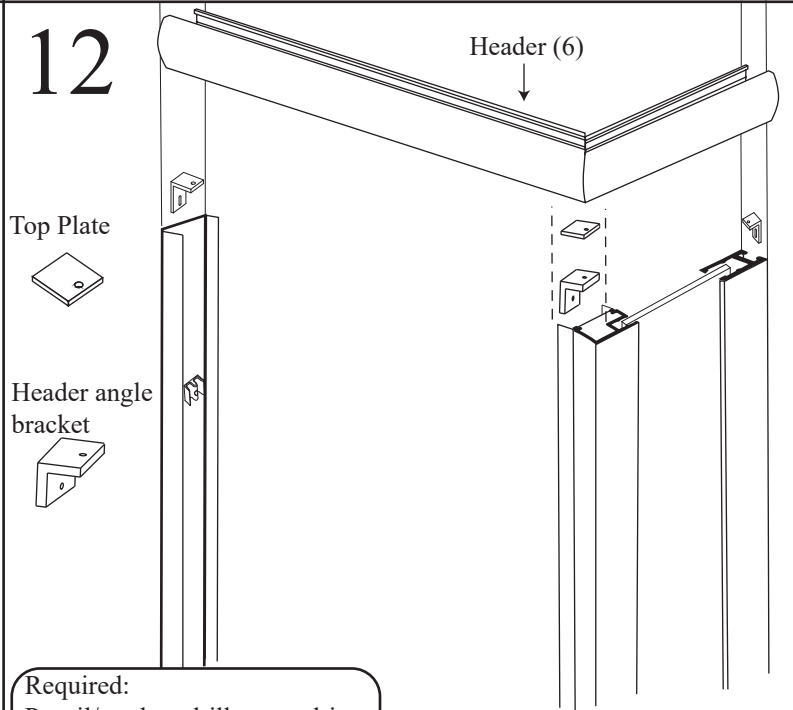
11



Required:
Pencil/marker, drill, screwdriver

- **For this step only the header and door side wall jamb & wall channel upright is shown.
- Place the wall bracket carefully inside in the header sticking to wall and top of header. Mark holes and drill on wall and on top of header.
- Only screw the wall bracket on wall with 1-1/4" panhead screw.
- Follow this step on both ends of the header.
- Note: Do not screw the header at this step.

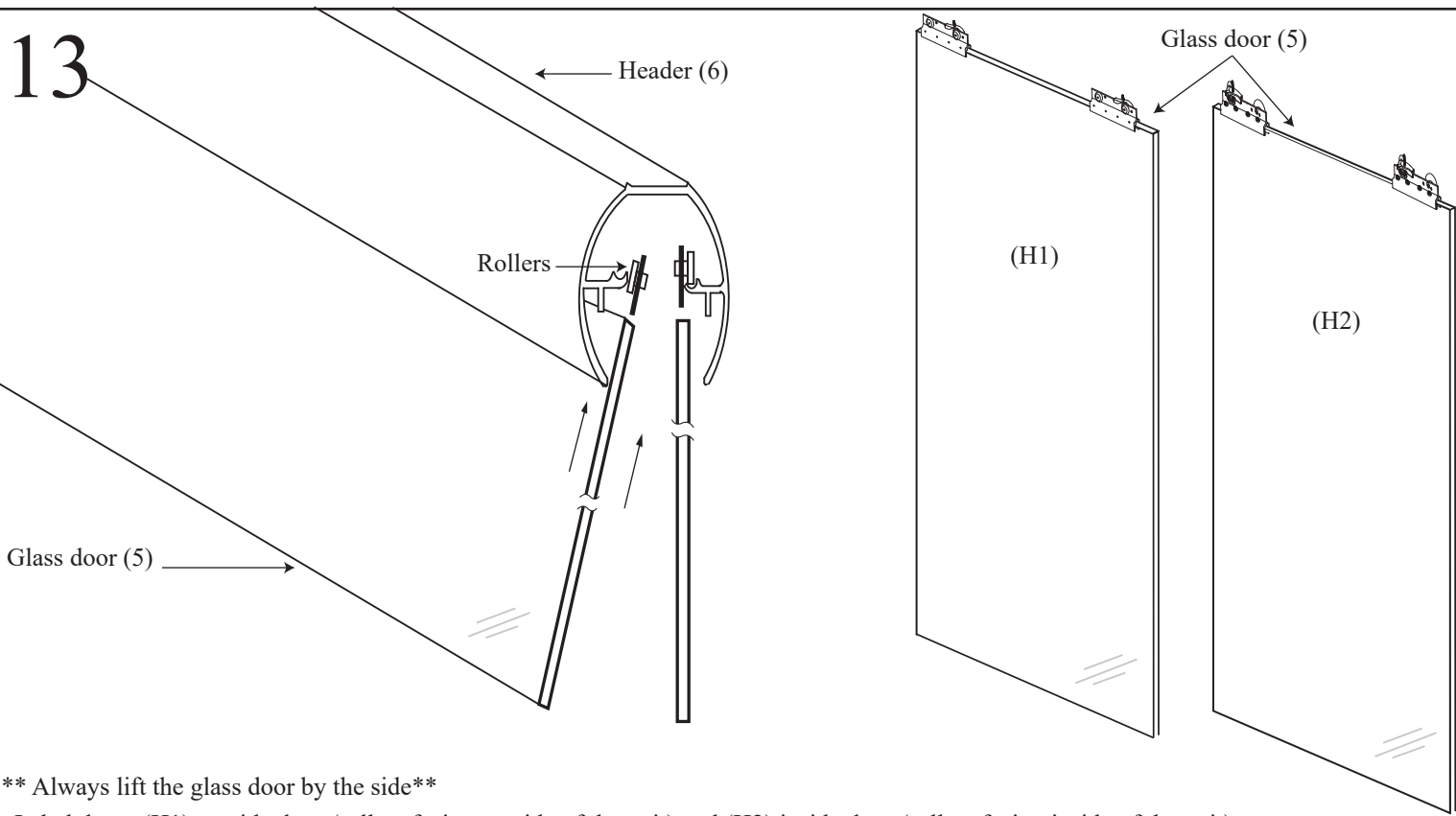
12



Required:
Pencil/marker, drill, screwdriver

- Screw the top plate on header angle bracket and slide in the header. Place the header on top of the unit.
- Mark and drill a hole on wall jamb with the self drilling screw to fit the header angle bracket.
- Also screw the wall bracket to the header from top/bottom of the header on both sides of wall..
- Header assembly should now be complete.

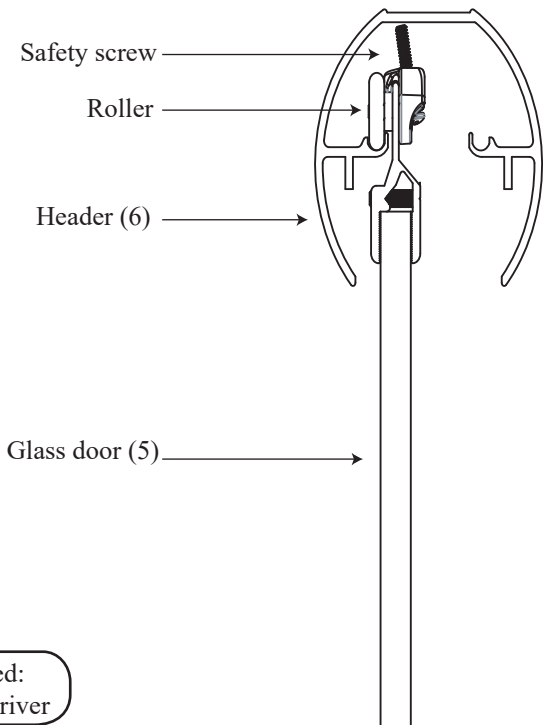
13



**** Always lift the glass door by the side****

- Label doors (H1) outside door (rollers facing outside of the unit) and (H2) inside door (rollers facing inside of the unit). Smooth side of glass is always facing inside the unit. Install the inside door first and insert the roller into the header section.
 - Rest rollers on the groove of the header and place the bottom of the door into the track guide. Repeat the procedure for the outside of the door.
- ** Be extremely careful not to hit the edge of the glass when installing.**

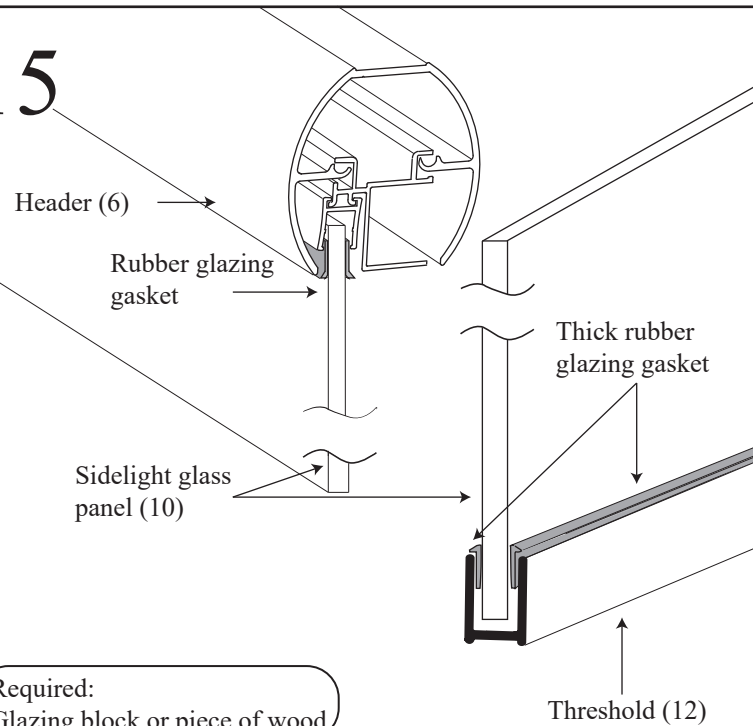
14



Required:
Screwdriver

- After the door installation is complete, turn the screw clockwise until door does not slide.
- Then, back off screw (turn counter-clockwise) two turns. Make sure the door slides freely.
- Try and lift door track. If safety screw is installed correctly, door will not come off the track.

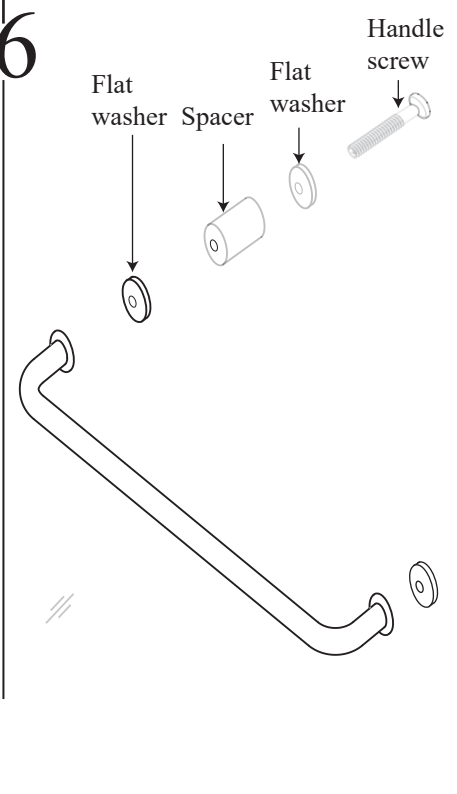
15



Required:
Glazing block or piece of wood

- Measure the larger rubber glazing gasket for the horizontal the sidelight glass panel with a inch or two extra.
 - Insert between both the threshold and header to seal (inside and outside).
 - Do not stretch rubber, leave long.
 - Tap glazing gaskets with glazing block or piece of wood.
- **Use windex, if having difficulty inserting thick rubber glazing gaskets**

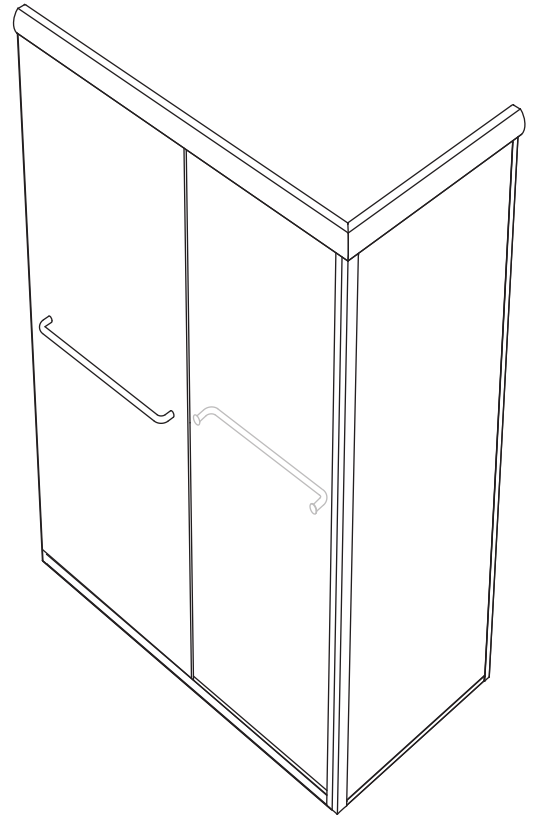
16



Required:
Screwdriver

• Screw the towel bar with the exact series arrangement as shown above.

17



Required:
Caulk gun

- On completion of assembly and installation, caulk entire inside of the unit where it meets the wall and the base and the outside of door track where it meets the walls and base to prevent water leakage.
- Wait for 24 hours before using, for silicone to dry.