



# HOSPITALITY PLASTIC TOILET SEAT

MODEL #

COLOR #

## 7300SL

### DESCRIPTION :

Closed front with cover, elongated, injection molded solid plastic toilet seat. Features four molded-in bumpers, color-matched Whisper•Close® hinges with STA-TITE® Seat Fastening System™.

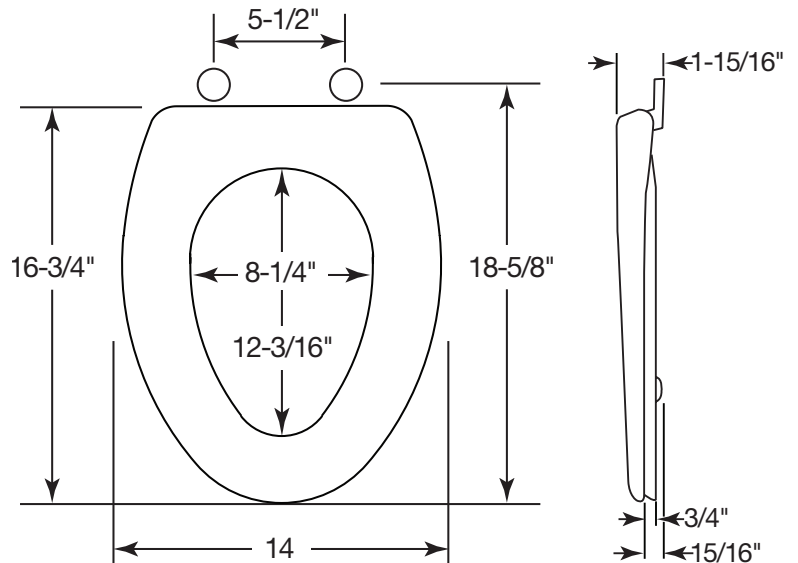
### SPECIFICATIONS :

Size:	Elongated
Material:	Plastic
Style:	Closed Front with Cover
Bumpers:	Four
Hinges:	Plastic Whisper•Close®
Fastening System:	STA-TITE® Seat Fastening System™

### FEATURES :

- Whisper•Close®
- STA-TITE® Seat Fastening System™

### DIMENSIONS :



WHISPER•CLOSE®  
FEATURE



PLASTIC WHISPER•CLOSE®  
HINGES



STA-TITE® SEAT  
FASTENING SYSTEM™

Proudly Made in the USA

Church Seats, Sheboygan Falls, WI 53085  
www.ToiletSeats.com

Phone: 800-233-7328 Fax: 800-292-3647