



California Faucets®

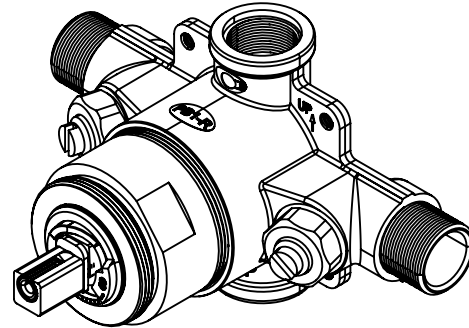
# Pressure Balance

## 1/2" Pressure Balance Valve (Rough)

PB1-R

### Features

- Forged brass body construction
- Integral service stops with check valves
- Pressure balance anti-scald protection
- Single-handle temperature mixing and flow control
- Adjustable high-temperature limit stop
- Reversible cartridge for back-to-back installations
- Flow rate: 4.5 gpm (15.9 L/m) @ 60 psi - shower port
- Flow rate: 5.5 gpm (18.9 L/m) @ 60 psi - tub port
- Twin-ell not required for diverter tub spout installation
- 1/2", 1" & 1-1/2" extensions kits available



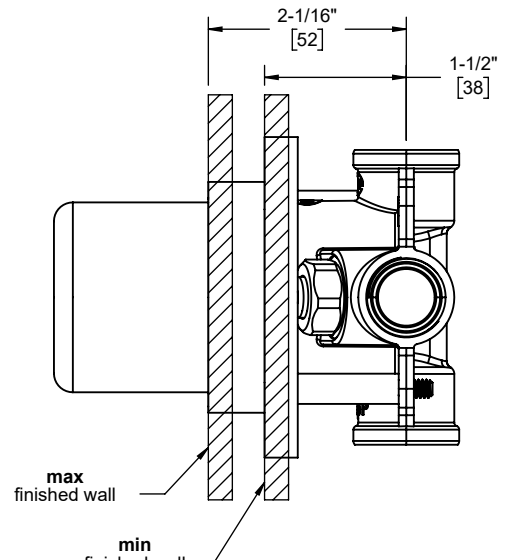
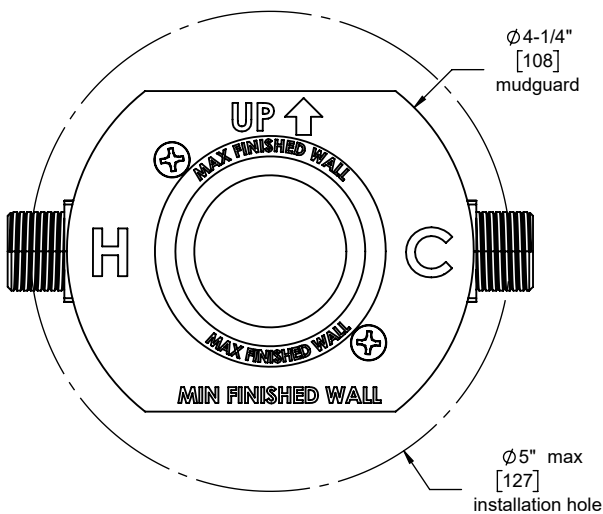
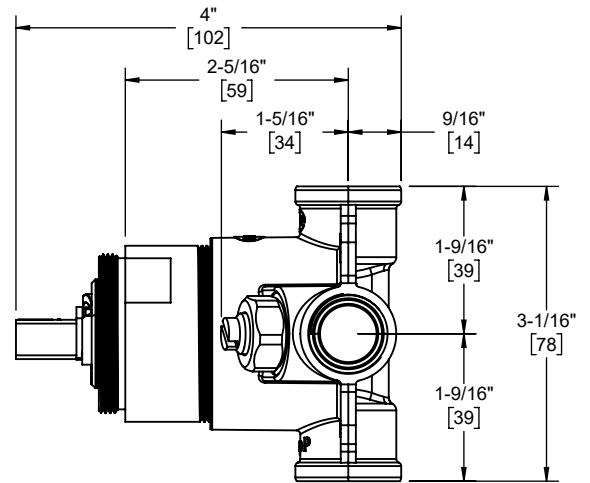
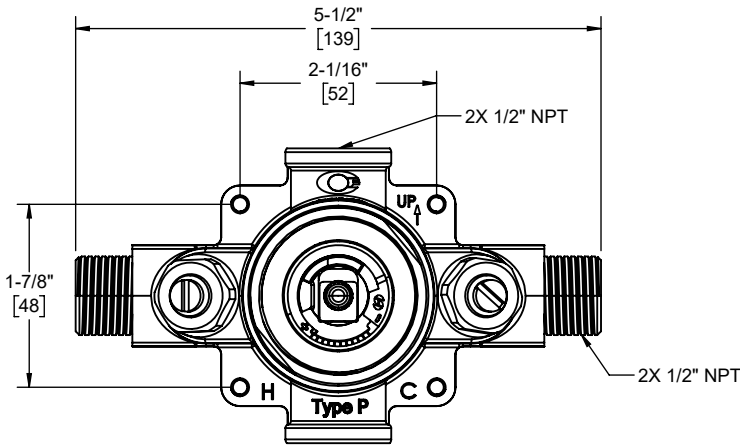
mudguard not shown



### Codes/Standards Applicable

Product meets or exceeds the following:

- ASME A112.18.1-2005/CSA B125.1-05
- ASSE 1016



Dimensions are inches, rounded to 1/16"  
[Dimensions in brackets are mm, rounded to 1mm]

Specifications subject to change without notice