



California Faucets®

Tel: 714-891-7797
Fax: 714-891-2478
Toll Free: 800-822-8855
www.calfaucets.com

Shower Column 9153

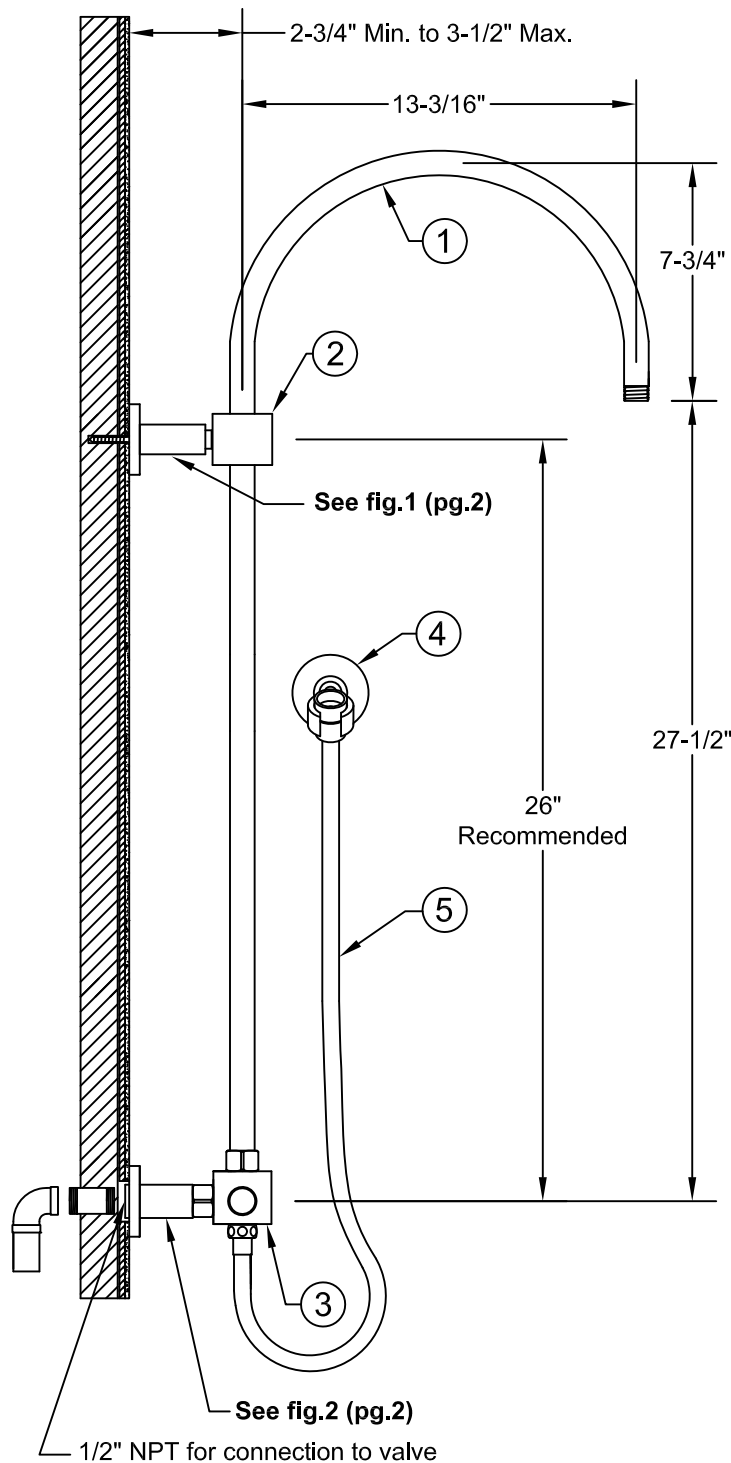
**INSTALLATION
INSTRUCTIONS**

IMPORTANT

All *California Faucets*® products are engineered to provide quality performance provided they are installed and operated properly. To fully enjoy the comfort, safety, and reliability of your new shower column set, please follow the instructions below.

California Faucets reserves the right to make modification and specification changes at any time.
Please visit www.calfaucets.com for most current technical data.

RECOMMENDED INSTALLATION BY A PROFESSIONAL PLUMBING CONTRACTOR



Installation Instructions for Shower Column 9153

Rough In

- Establish installation location and positioning of valves and shower column, taking the ceiling height, personal preferences of the customer and any applicable plumbing codes into consideration.
- Install adequate bracing in the wall to provide a solid and secure installation of the wall bracket post and inlet piping of the shower column. **Note:** recommended fixed distance from center of inlet nipple to center of wall bracket post is 26".
- Install piping and valves. **Note:** finished wall to center of shower column is Min. 2-3/4" to Max. 3-1/2".

Trim Installation

- Install shower column wall supply nipple to the water supply piping from valve. (see fig. 2) Apply some soapy water to the o-ring in the center of the flange escutcheon and slide it onto the nipple and push snug to the finished wall. (Wipe off any excess soapy liquid with a soft cloth).
- Install wall bracket post with screw through center of post and fix securely to the wall. (see fig. 1) Apply some soapy water to the o-ring in the center of the flange escutcheon and slide it onto the nipple and push snug to the finished wall. (Wipe off any excess liquid with a soft cloth.)
- Apply some soapy water to the o-rings (top and bottom) inside the wall BRACKET (2) and slide it onto the shower COLUMN (1) at the approximate height of 26". Insert wall bracket inner post into wall bracket outer post on wall. (see fig. 1) (Wipe off any excess soapy water with cloth).
- Install the wall supply DIVERTER (3) onto the shower column tightening the outlet hexagonal connector to align the set screw as close as possible to the rear of the shower column. Connect the inlet of the wall supply diverter to the supply inlet nipple protruding from the wall. (see fig. 2) Shower column may need to be adjusted up or down to align the connections and tighten the hexagonal nut of the wall supply diverter onto the nipple. Finally, adjust the shower column so the shower head and diverter are aligned properly with the wall or in the desired position and tighten the set screw on the outlet hexagonal connector.



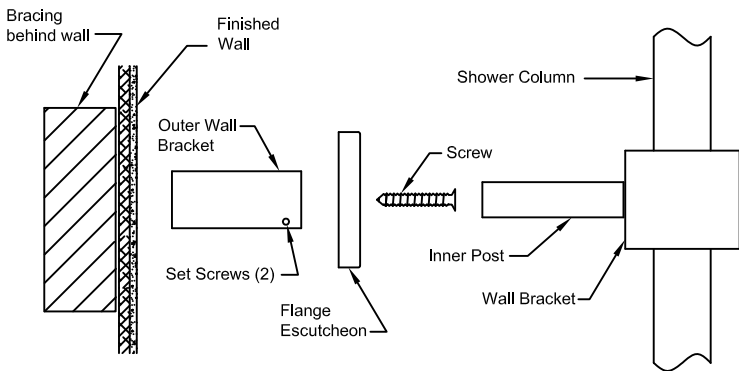
California Faucets®

Tel: 714-891-7797
Fax: 714-891-2478
Toll Free: 800-822-8855
www.calfaucets.com

9153 Shower Column

**INSTALLATION
INSTRUCTIONS**

Fig. 1



- Check vertical alignment of shower column between wall supply inlet and wall bracket and adjust so both are equal. **Note:** finished wall to center of shower column is Min. 2-3/4" to Max. 3-1/2". Then tighten the two set screws in the wall bracket post.
- Install the hand shower HOLDER (4) to the wall at the desired position. **(see fig. 3)**
- Install the shower HOSE (5).
- Install the hand shower (not supplied as part of this set) onto the shower hose.
- Install shower head (not supplied as part of this set).

Fig. 2

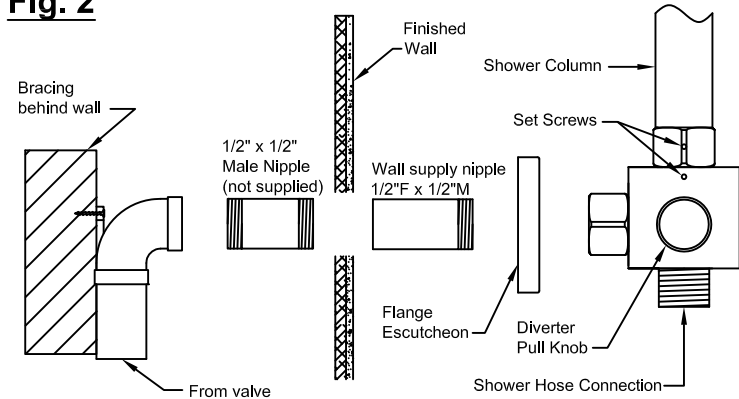


Fig. 3

