



California Faucets®

09113-XX, 1011-XX, 1111-XX, 1211-XX,
1311-XX, 1411-XX, 7711-XX, 8511-XX, 8611-XX
Single Hole Tub Filler – trim only
Installation Instructions

CALIFORNIA FAUCETS RECOMMENDS THAT ALL PLUMBING PRODUCTS BE INSTALLED BY A LICENSED PROFESSIONAL

IMPORTANT: Read all instructions prior to installation and provide copy of instructions to consumer.

Operating Specifications:

Recommended Supply Pressure: 20 to 70 psi**†

Maximum Flow Rate: 10 gpm

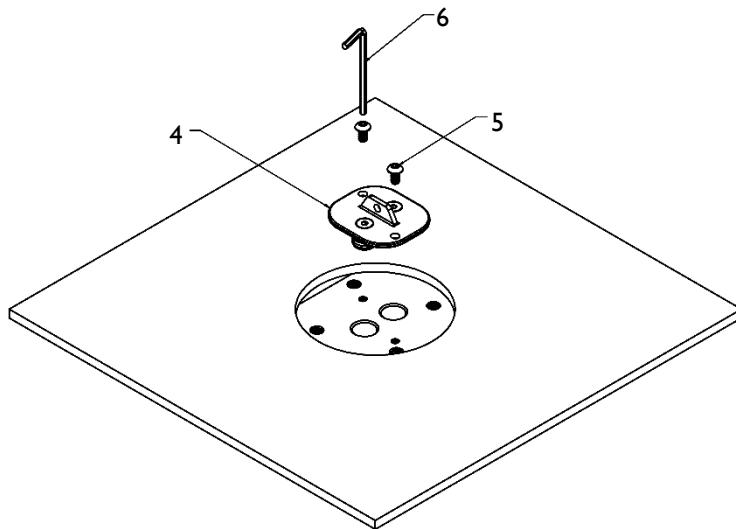
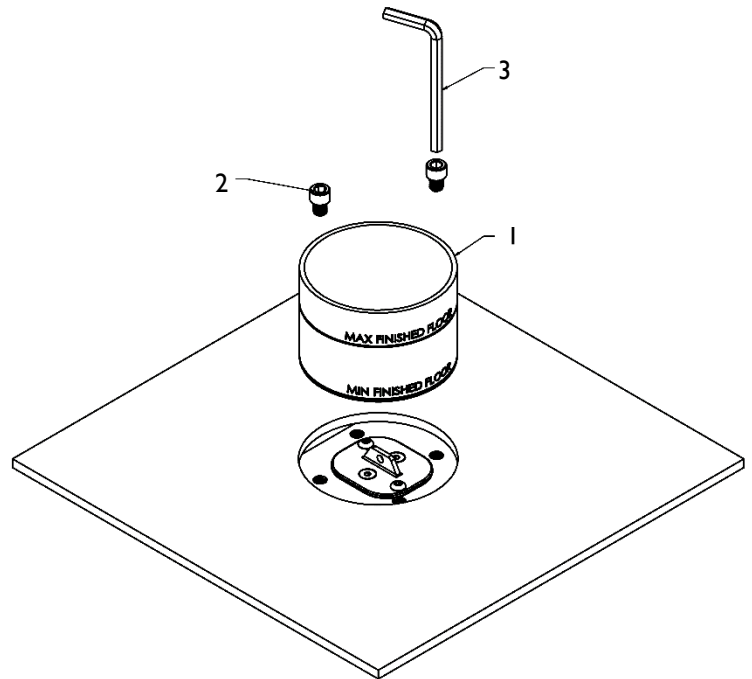
* Operating pressures between hot and cold supplies should vary no more than 30 psi.

† If water pressure exceeds 70 psi, install a Pressure-Reducing Valve (RPV).

I PREPARE ROUGH

Important: Shut off water supply before starting.

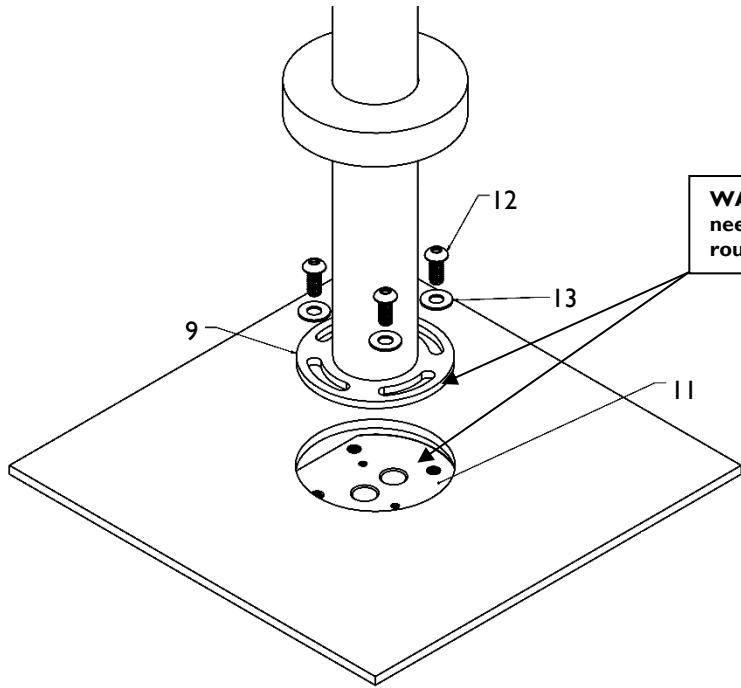
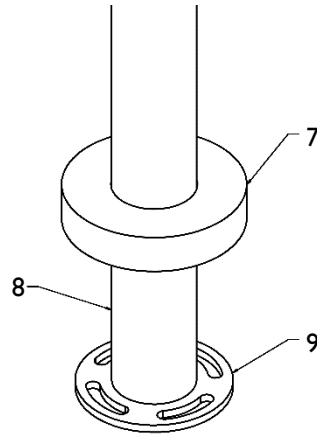
- Remove MUDGUARD (1) by unscrewing SCREWS (2) from inside the MUDGUARD (1) with a 3/16" HEX ALLEN KEY (3)
- Remove PLUG (4) by unscrewing the two SCREWS (5) by using an 1/8" HEX ALLEN KEY (6)



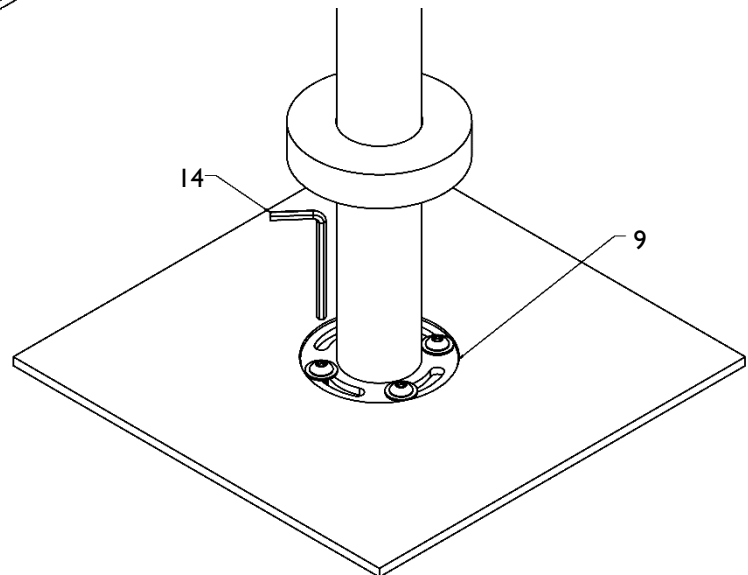
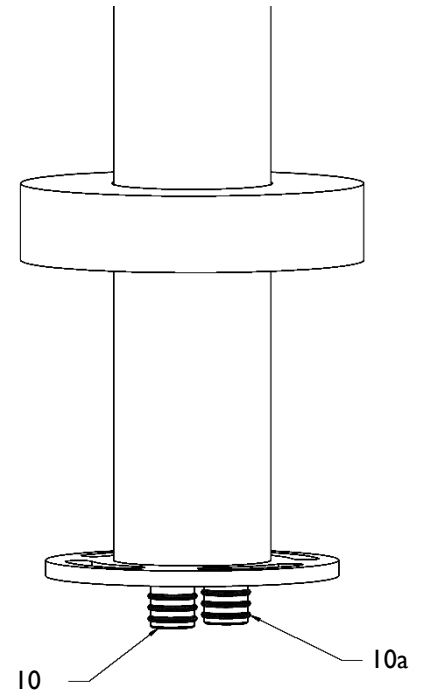
2

ATTACH LEG TO ROUGH

- Slide COVER (7) up LEG (8) to allow enough room to access MOUNTING FLANGE (9)
- Ensure that there is sufficient grease on all O-RINGS (10a) on quick SUPPLY TUBES (10) and insert into the ROUGH (11)
- Hand tighten BOLTS (12) with WASHERS (13) through MOUNTING FLANGE (9) and into the ROUGH (11)
- Using a 3/16" HEX ALLEN KEY (14) securely tighten MOUNTING FLANGE (9) onto ROUGH (11)
- Leave cover up until STEP 4



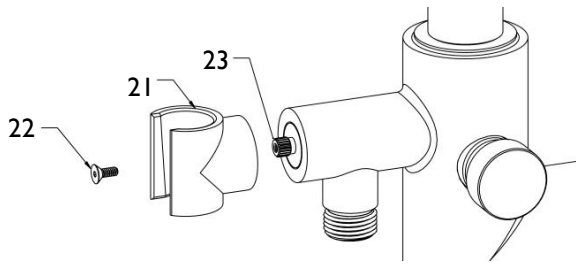
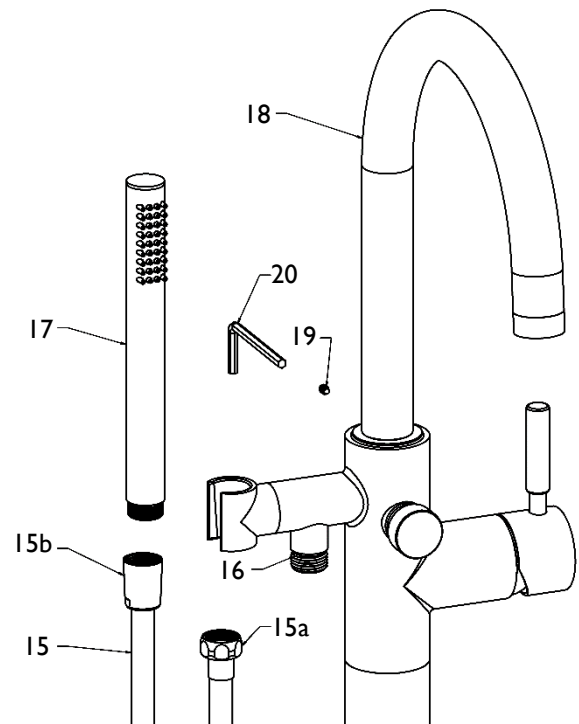
WARNING: Flange needs to be flush with rough to prevent leaks



3

FINAL CONNECTIONS

- Attach HEX (15a) nut of HOSE (15) to hose outlet of BODY (16)
- Attach CONICAL (15b) nut of HOSE (15) to inlet of HANDSHOWER (17)
- Rotate SPOUT (18) to desired location then tighten SETSCREW (19) with 3/32" ALLEN KEY (20)
- If desired the angle of the handshower HOOK (21) can be rotated to a different angle
 - Remove SCREW (22) and pull out HOOK (21)
 - Rotate HOOK (21) to desired angle and place back on to STEM (23)
 - Tighten SCREW (22) into STEM (23)



4

TEST SECTION

- Have helper turn on water supply
- Check for leaks around mounting flange
- Operate faucet diverter from tub spout to handshower and check for leaks
- Slide cover down leg until flush with floor, it may be necessary to twist and rotate cover to aid in proper seating